



On-Furniture and Interior Sliding Systems



Issue 3.1



We are a forward-thinking, dynamic company based in Buckingham UK. We have progressively developed a range of sliding door runners, systems, components and tracks which are unparalleled due to their durability, versatility and simplicity. Using only the highest quality materials, our systems are built to last, easy to install and offer the best value for money.

Contents

On-Furniture Sliding Systems

2Slide	2 - 3
SoftSlide	4 - 5
FurnStraight 300	6 - 7
ProSlide 18	8 - 11
Trakkit Gemini	12 - 13
Trakkit Quiesce	14 - 15
TopSlide	16 - 17
Ultra	18 - 19
Apartmento	20 - 21
Series Mini	22 - 23
FurnGlass	24 - 25
DuraFold	26 - 27
FurnFold	28 - 29
Slide&Hide	30 - 31
ConcealX	32 - 35

Interior Sliding Systems

Barnstyle	36 - 37
Tommaslide Glass	38 - 39
Tommaslide 100	40 - 43
Tommaslide 200	44 - 47
Tommaslide 300	48 - 51
Invisible	52 - 53
Glide Pocket Door	54 - 55
Valto Pocket Door	56 - 57
Evo Pocket door	58 - 60
Absolute Evo	61 - 62
Tommafold Interior	63 - 67
Slide & Stack	68 - 72

Sliding System Additional Accessories

Door Handles and Latches	73 - 85
---------------------------------	----------------



LGL are accredited by the Carbon Visibility Associates

UK & International Sales:

Tel: +44 (0)1280 822288
Fax: +44 (0)1280 813024
Email: sales@runners-sales.com
Web: www.runners-uk.com

Simplifying kitchen, furniture and joinery manufacturer's supply chain.

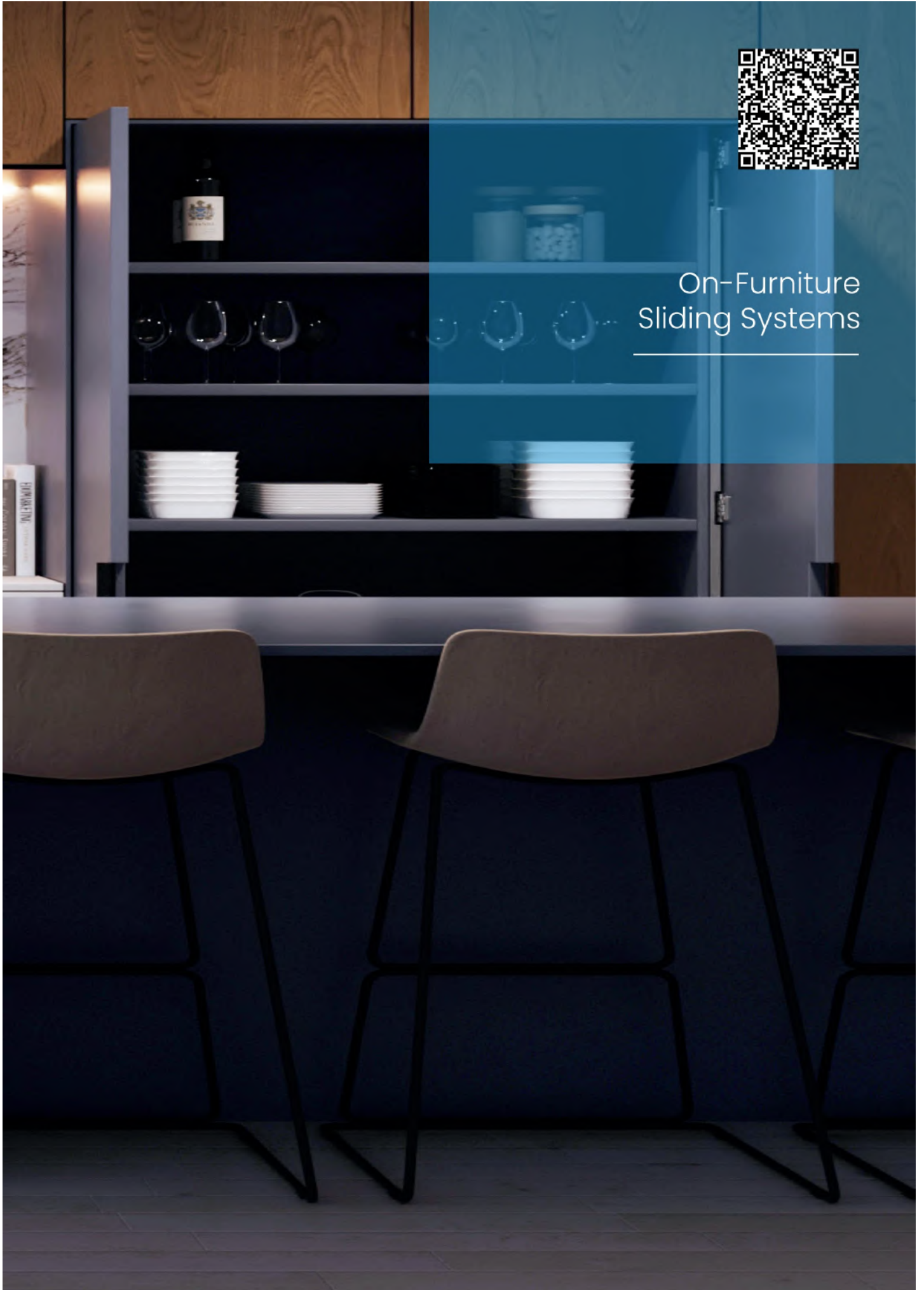
LGL is a group of dynamic and progressive companies dedicated to supporting joinery, kitchen and furniture manufacturers with innovative products and services which bring creative solutions, efficiency and profitability to the customers we serve.

www.lenboroughgroup.com

Part of
LGL
 Lenborough Group
 Limited



On-Furniture Sliding Systems





2Slide

Wardrobe sliding door system

The 2Slide provides a smooth sliding solution that can carry a maximum door weight of 50kg. 2Slide is a double track, bypassing system enabling multiple doors to slide behind each other.

Featuring a silent mechanism, locking system and in-rail damper, the 2Slide is a durable, smooth and dependable sliding solution.



Maximum door panel weight of 50kg.



Bottom Rolling



Full technical support



Adjustable sliding solution



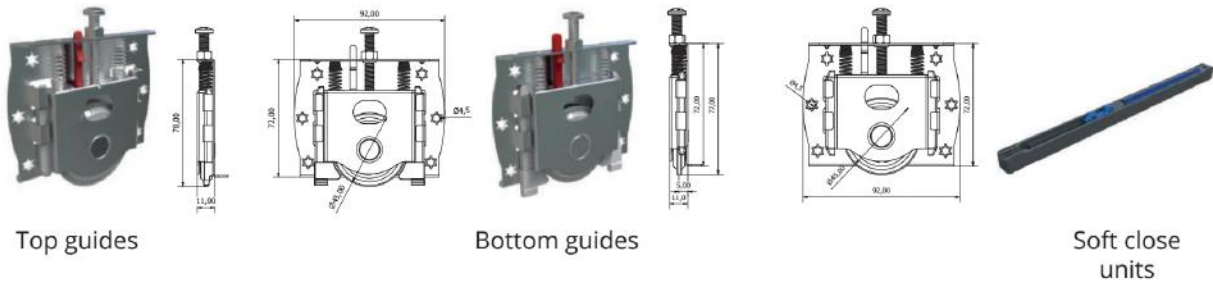
Soft close & soft open



Suitable for interior applications

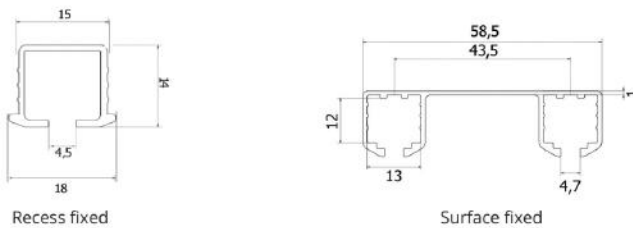
2Slide Components

2

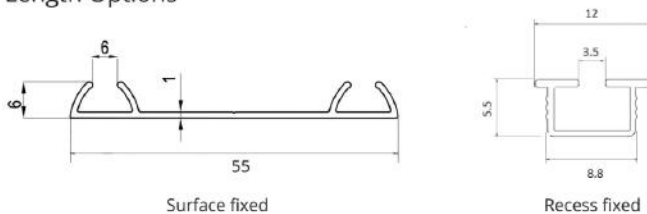


Fitting kit for one door includes: 2 x top guides, 2 x bottom guides and 2 x soft close units

Top Track 3 or 6 (2x 3M track) Metre Length - Options



Bottom Track 3 or 6 (2x 3M track) Metre Length Options



	Description	Code
Recessed Fixed	2 Door fitting kit with 3 metre track	2SR3000-2
	2 Door fitting kit with 6 metre track	2SR6000-2
	3 Door fitting kit with 3 metre track	2SR3000-3
	3 Door fitting kit with 6 metre track	2SR6000-3
Surface Fixed	4 Door fitting kit with 3 metre track	2SR3000-4
	4 Door fitting kit with 6 metre track	2SR6000-4
	2 Door fitting kit with 3 metre track	2SS3000-2
	2 Door fitting kit with 6 metre track	2SS6000-2
Surface Fixed	3 Door fitting kit with 3 metre track	2SS3000-3
	3 Door fitting kit with 6 metre track	2SS6000-3
	4 Door fitting kit with 3 metre track	2SS3000-4
	4 Door fitting kit with 6 metre track	2SS6000-4



Contact for further information
01280 822288 | www.runners-uk.co.uk | sales@runners-sales.com

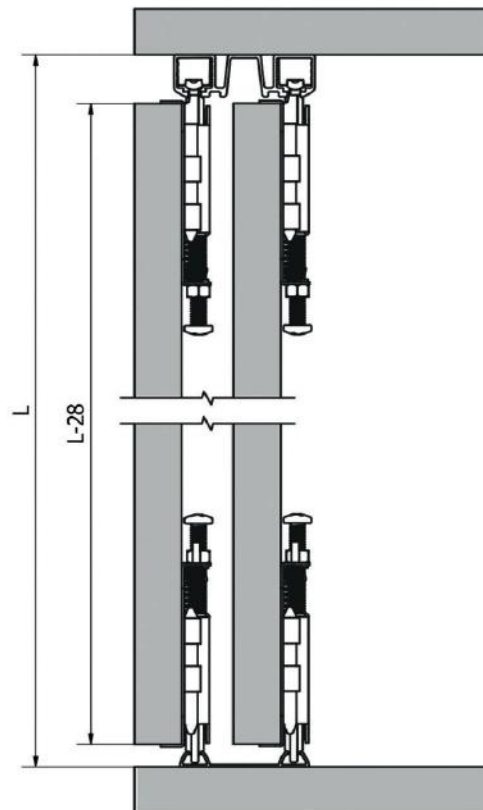
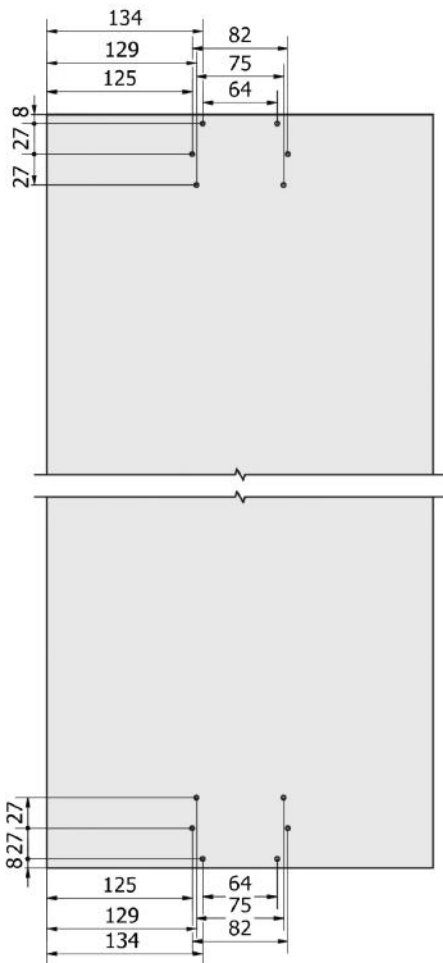


Specification

- Maximum door panel weight: 50kg
- Minimum door thickness for single and double track: 16mm
- Maximum door thickness for double track: 28mm
- Length of top and bottom track: 3 metre or 6 metre



3



Contact for further information
 01280 822288 | www.runners-uk.co.uk | sales@runners-sales.com



SoftSlide

Wardrobe sliding door system

The SoftSlide features a maximum door capacity of 80kg, easy to install and the height can be adjusted by 6mm for a custom fit. Its integral bearings offer smooth and quiet operation, while the soft-close option ensures a controlled closure.

SoftSlide is designed for quick and easy installation, making it a hassle-free solution.



Maximum door panel weight of 80kg.



Bottom Rolling



Full technical support



Quick and easy to install



Height adjustment up to 6mm



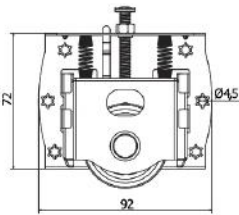
Includes soft close

4

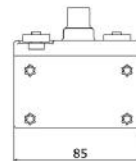
SoftSlide Components



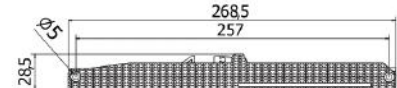
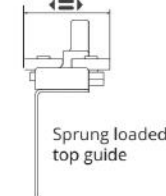
Bottom rollers



Top guides



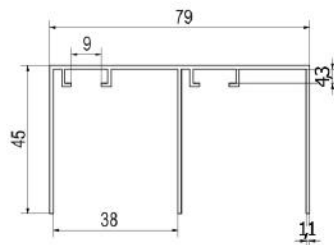
Min 32 / Max 40



Soft close unit

Fitting kit for two door includes: 4 x top guides, 4 x bottom rollers and 4 x soft close unit

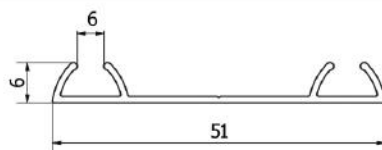
3 Metre top track



Recess Fix

Description	Code
SoftSlide Kit 2 Door, 3m Track	SS3000-2
SoftSlide Kit 4 Door, 3m Track	SS3000-4
SoftSlide Kit 2 Door, 6m (2 x 3M) Track	SS6000-2
SoftSlide Kit 4 Door, 6m (2 x 3M) Track	SS6000-4

3 Metre bottom rail

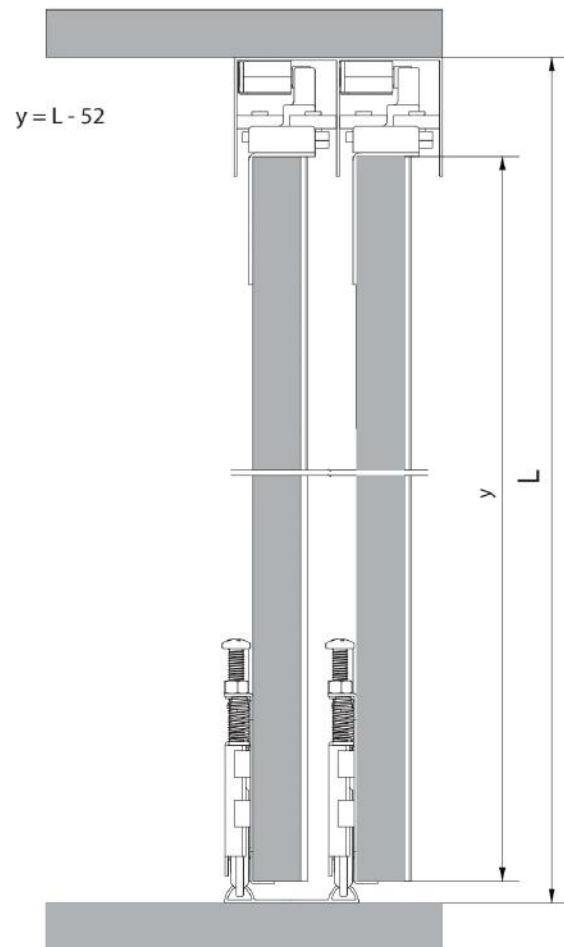
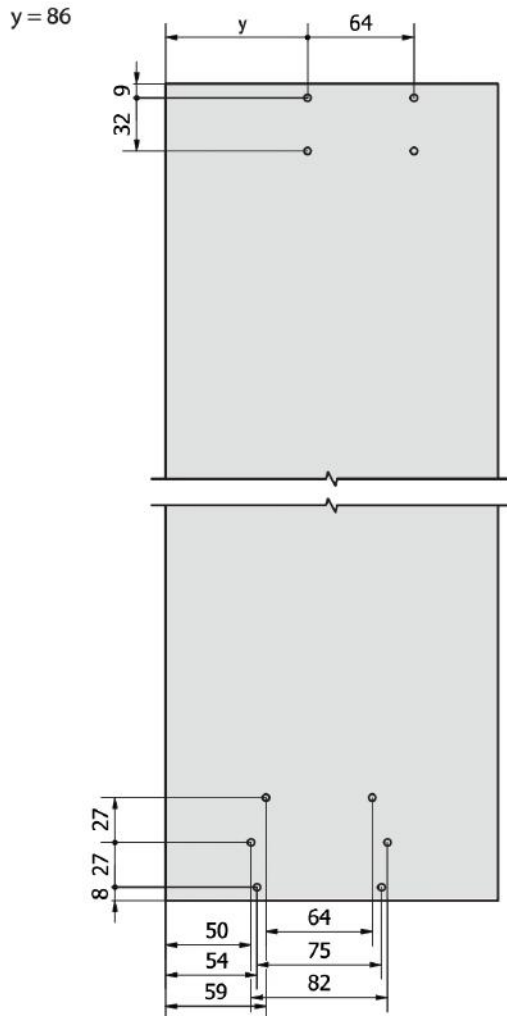


Contact for further information
01280 822288 | www.runners-uk.co.uk | sales@runners-sales.com



Specification

- Maximum door panel weight: 80kg
- Minimum door thickness: 16mm
- Maximum door thickness: 24mm
- Up and Down Adjustment Option: Up to 6 mm



5



FurnStraight 300

Sliding cabinet/wardrobe door system

A smooth running fully adjustable system for cabinet doors weighing up to 30kg.

This system is bottom rolling with retractable top guides for easy installation or removal of doors.

FurnStraight 300 has multiple tracks that can be placed in front of each other to create bypassing doors.

Maximum door panel weight of 30kg.

Bottom Rolling

Full technical support

Straight sliding system

Easy to fit and adjustable

Hassle free door solution

FurnStraight 300 Components

6



Fitting kit for one door includes: 2 x retractable guides, 2 x adjustable rollers and 2 x stoppers

	Description	Code
2 Metre Track Options	2 Metre track - 1 Door fitting kit, screw face fixed bottom track and white top track	FSSFW2000-1
	2 Metre track - 2 Door fitting kit, screw face fixed bottom track and white top track	FSSFW2000-2
	2 Metre track - 1 Door fitting kit, grooved fixed bottom track and white top track	FSGW2000-1
	2 Metre track - 2 Door fitting kit, grooved fixed bottom track and white top track	FSGW2000-2
	2 Metre track - 1 Door fitting kit, screw face fixed bottom track and black top track	FSSFB2000-1
	2 Metre track - 2 Door fitting kit, screw face fixed bottom track and black top track	FSSFB2000-2
	2 Metre track - 1 Door fitting kit, grooved fixed bottom track and black top track	FSGB2000-1
	2 Metre track - 2 Door fitting kit, grooved fixed bottom track and black top track	FSGB2000-2
4 Metre (2 x 2M Track) Track Options	4 Metre track - 1 Door fitting kit, screw face fixed bottom track and white top track	FSSFW4000-1
	4 Metre track - 2 Door fitting kit, screw face fixed bottom track and white top track	FSSFW4000-2
	4 Metre track - 1 Door fitting kit, grooved fixed bottom track and white top track	FSGW4000-1
	4 Metre track - 2 Door fitting kit, grooved fixed bottom track and white top track	FSGW4000-2
	4 Metre track - 1 Door fitting kit, screw face fixed bottom track and black top track	FSSFB4000-1
	4 Metre track - 2 Door fitting kit, screw face fixed bottom track and black top track	FSSFB4000-2
	4 Metre track - 1 Door fitting fit, grooved fixed bottom track and black top track	FSGB4000-1
	4 Metre track - 2 Door fitting kit, grooved fixed bottom track and black top track	FSGB4000-2

6 and 8 metre track available
Scan for more information >



Contact for further information
01280 822288 | www.runners-uk.co.uk | sales@runners-sales.com



ProSlide 18

Wardrobe sliding door system

- Maximum door panel weight of 50kg.
- Bottom Rolling
- Full technical support
- Hassle free door solution
- Adjustable sliding solution
- Suitable for inset doors
- Frame sliding system
- Soft close
- 2 Year warranty**
- Easy to fit and suitable for interior applications

ProSlide 18 is a complete sliding door system including tracks, fittings and aluminium profiles designed for 18mm centre panels.

This system is bottom rolling and guided at the top, which is perfect where large light weight doors are required.

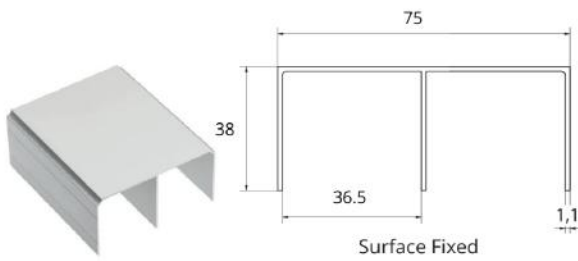
8

The ProSlide 18 is a double track, bypassing system enabling multiple doors to slide past each other.



Contact for further information
01280 822288 | www.runners-uk.co.uk | sales@runners-sales.com

ProSlide 18 Components



(A) 3 Metre top track

Code: 500-101-3



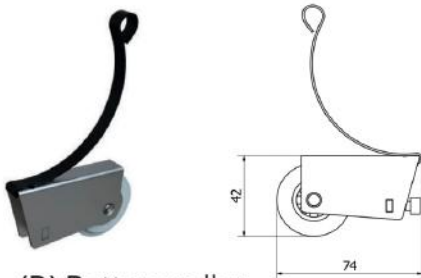
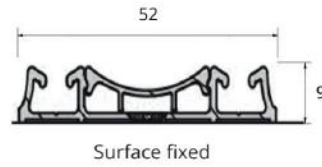
(B) 3 Metre bottom track

Code: 500-109-3



(C) 3 Metre bottom track masking frame cover cap

Code: 500-110-3



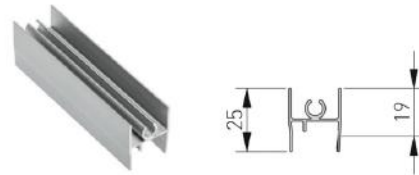
(D) Bottom roller

Code:500-202



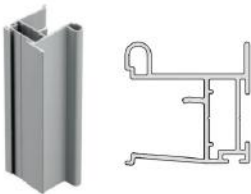
(E) Top roller

Code: 500-201



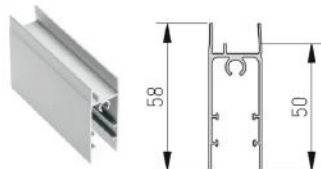
(F) 3 Metre top frame/roller housing profile

Code: 500-321



(G) 2.7 Metre side handle housing profile

Code: 500-418



(H) 3 Metre bottom frame/roller housing

Code: 500-320



(I) 3 Metre middle panel connector

Code: 500-419



(J) 3 Metre bolt-on middle panel connector

Code: 500-319



(M) Fitting bolts

Code: 500-203



(N) Soft open & close

Code: 500-204



Drilling tool

Code: 500-208

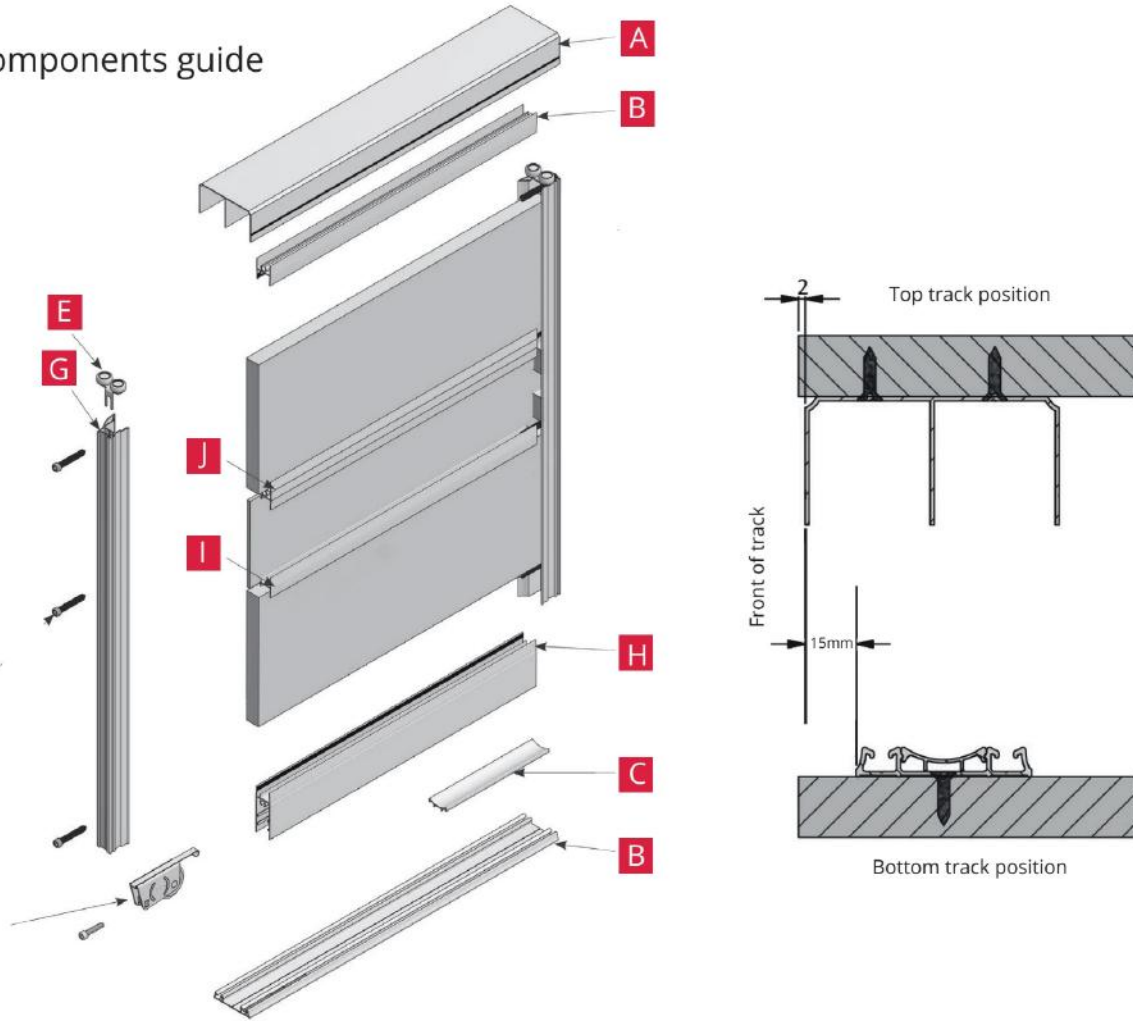


Two-step drill bit

Code: 500-207

ProSlide 18 Specifications

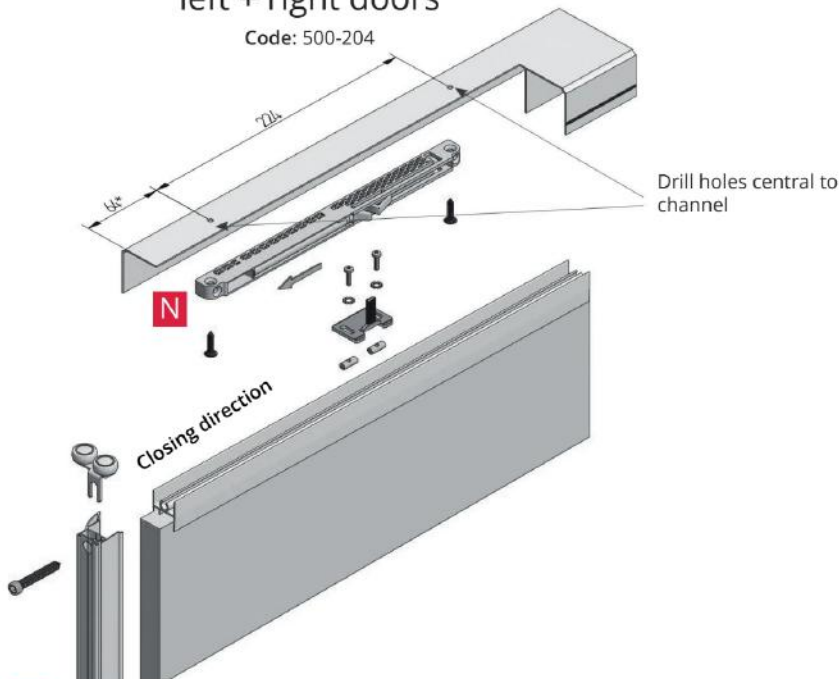
Components guide



10

Soft open and closer for left + right doors

Code: 500-204

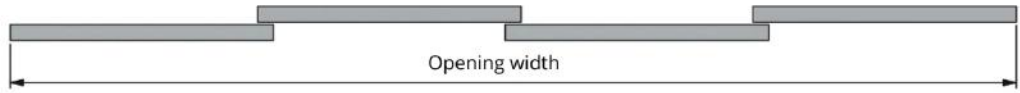


Contact for further information
 01280 822288 | www.runners-uk.co.uk | sales@runners-sales.com

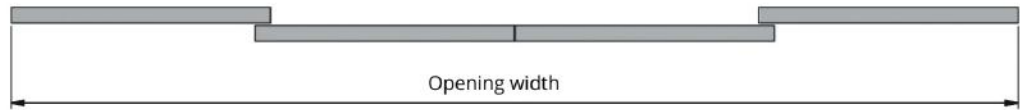
ProSlide 18 Configurations

Door configurations

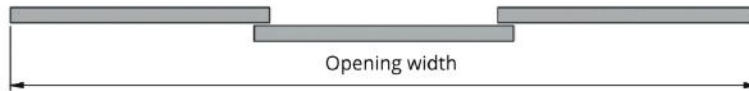
4 Door
3 Overlaps



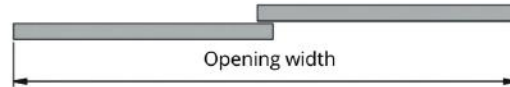
4 Door
2 Overlaps



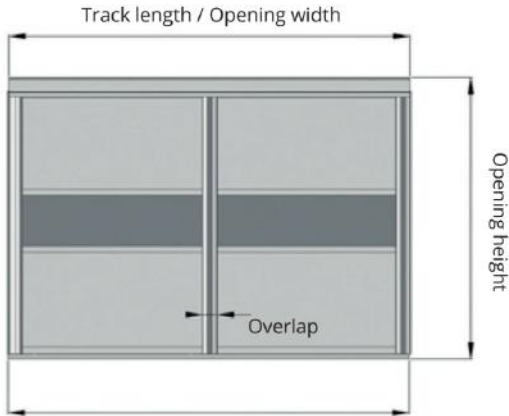
3 Door
2 Overlaps



2 Door
1 Overlap



Calculations



Track length = Opening width
 Door height = Opening height - 50mm
 Overlap width = 30mm

Profile size calculations
Top door profile = Door width - 55mm
Horizontal centre rail = Door width - 55mm
Lower door profile = Door width - 55mm
Handle height = Door height

Infill panel dimensions
Panel size = door width - 31mm x door height - 69mm
Where 2 or more infill panels are being used reduce height by 1mm - 2mm for every horizontal middle panel connector rail used.
When using the horizontal bolt-on middle panel connector rail the dimensions of the connector rail must be taken into account.



Contact for further information
 01280 822288 | www.runners-uk.co.uk | sales@runners-sales.com



Trakkit Gemini

Wardrobe sliding door system

The Gemini is a twin-track system that suits lightweight applications such as cupboards and wardrobes where a budget option is required.

The combination of the aluminium track with the ball bearing nylon wheels, guarantees a silent operation. The use of the adjustable 4-piece floor guide eliminates the need to make a groove under the door.



Maximum door panel weight of 45kg.



Top hung



Full technical support



Hassle free door solution



Adjustable sliding solution



Smooth gliding action when operating

12 Trakkit Gemini Components



Pre-drilled aluminium track



Out-facing hangers



In-facing hangers



Nylon door guides



Door stop



Fixing screws

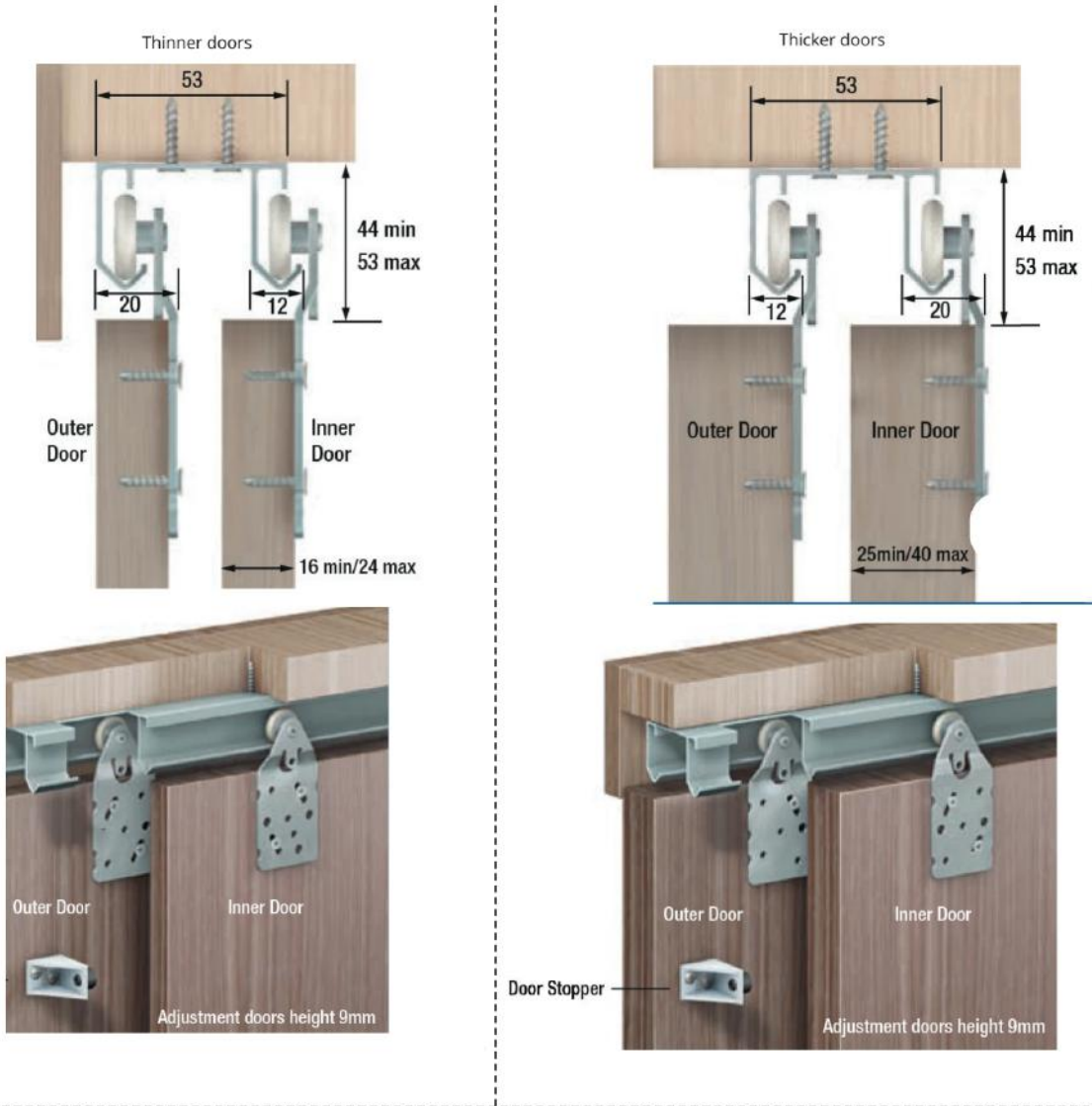
Description	Code
2.4 Metre track, 45kg maximum weight per panel (Includes: 1 x 2400mm track, 2 x outward facing hangers, 2 x inward facing hangers, 3 +1 nylon bottom guides, 1 x door stop and 30 x fixing screws)	1405-024
Extra door fitting pack for 2 x additional doors (includes: 1 x door stop, 2 x outward facing hanger, 2 x inward facing hanger, 30 x fixing screws and 3+1 nylon door guides)	1405-600-51



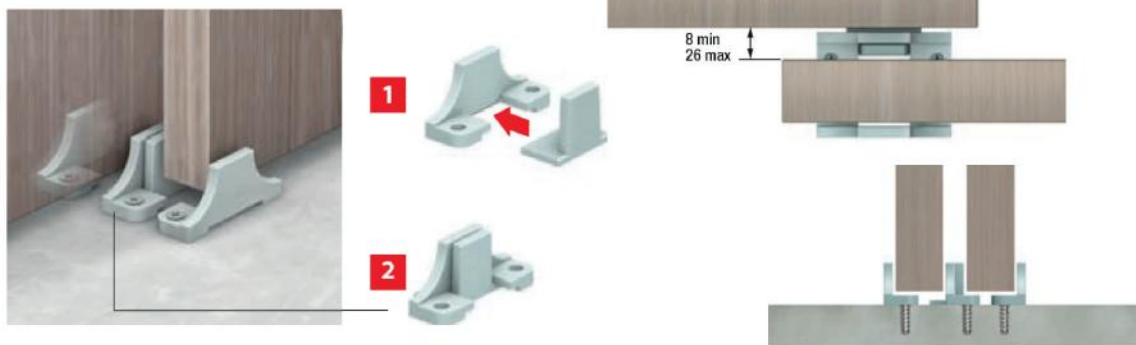
Contact for further information
 01280 822288 | www.runners-uk.co.uk | sales@runners-sales.com

Specification

- Maximum door panel weight: 45kg
- Minimum door thickness: 16mm
- Maximum door thickness: 40mm



Bottom guides



Contact for further information
01280 822288 | www.runners-uk.co.uk | sales@runners-sales.com



Trakkit Quiesce

Wardrobe and internal sliding door system

Trakkit Quiesce is ideal for applications in hotels and hospitals, where quietness and ease of operation is paramount. All moving parts are lubricated for life.

Due to its easy fitting, the Trakkit Quiesce is a user-friendly solution for all your projects.



Maximum door panel weight of 80kg.



Top hung



Full technical support



Hassle free door solution



Adjustable sliding solution



Smooth gliding action when operating

14

Trakkit Quiesce Components



Pre-drilled aluminium track



Hangers



Side Fix brackets



Door stop



Nylon door guides

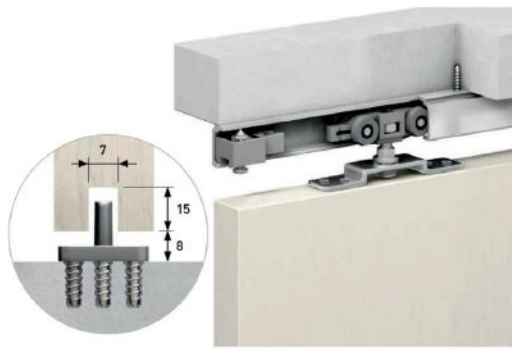


Fixing screws

Description	Code
1.5 Metre track, 60kg maximum weight per panel (includes: 1 x aluminium track, 1 x door stop, 22 x fixing screws, 2 x hangers and 4 x nylon door guides)	1391-015
2.3 Metre track, 60kg maximum weight per panel (Includes: 1 x aluminium track, 1 x door stop, 22 x fixing screws, 2 x hangers and 4 x nylon door guides)	1391-023
1.5 Metre Track, 120kg maximum weight per panel (includes: 1 x aluminium track, 1 x door stop, 22 x fixing screws, 2 x hangers and 4 x nylon door guides)	1401-015
2.3 Metre track, 120kg maximum weight per panel (includes: 1 x aluminium track, 1 x door stop, 22 x fixing screws, 2 x hangers and 4 x nylon door guides)	1401-023
Set for 1 x additional door 60kg maximum weight per panel (includes: 1 x door stop, 22 x fixing screws, 2 x hangers and 4 x nylon door guides)	1391-200-31



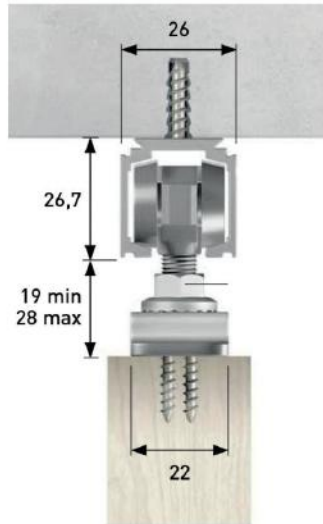
Contact for further information
01280 822288 | www.runners-uk.co.uk | sales@runners-sales.com



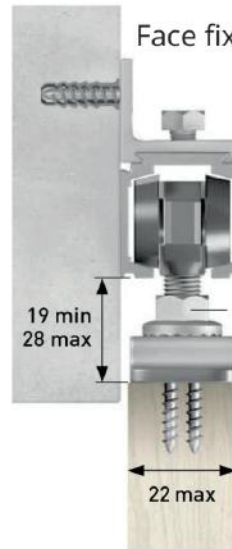
Trakkit Quiese for doors up to 60kg

- Maximum door panel weight: 60kg
- Minimum door thickness: 22mm

Soffit fixing



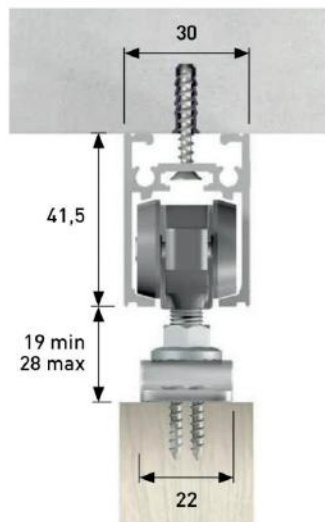
Face fixing



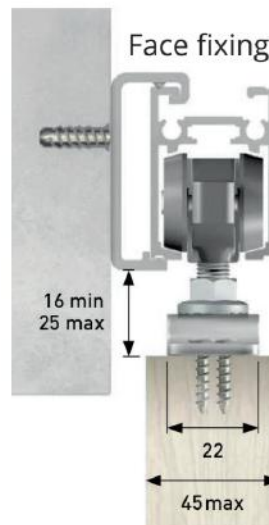
Trakkit Quiese for doors up to 120kg

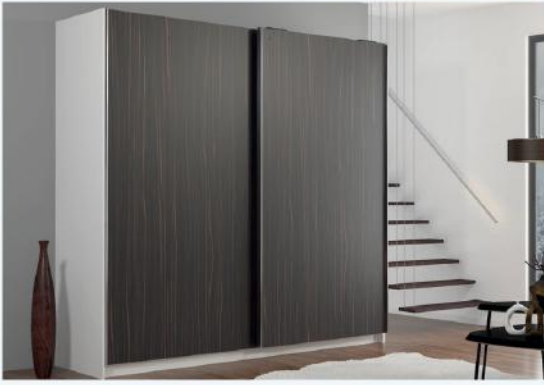
- Maximum door panel weight: 120kg
- Minimum door thickness: 22mm

Soffit fixing



Face fixing





TopSlide

Wardrobe sliding door system

TopSlide is a top rolling system complete with bottom guides and guide channel to keep the doors in position.

The track and mechanisms are hidden behind overlay doors. With its high weight capacity of 60kg per panel and soft close option the TopSlide is a modern, sleek sliding solution. TopSlide is a double track, bypassing system enabling multiple doors to slide behind each other.



Maximum door panel weight of 60kg.



Top hung



Full technical support



Hassle free door solution

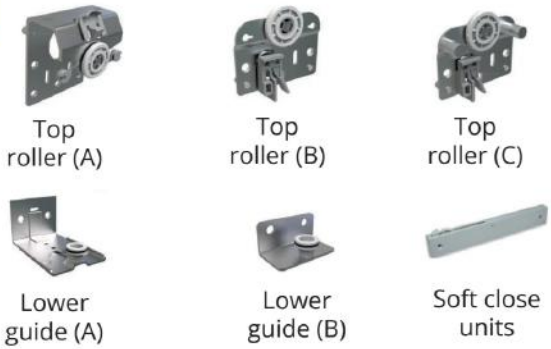


Soft close option



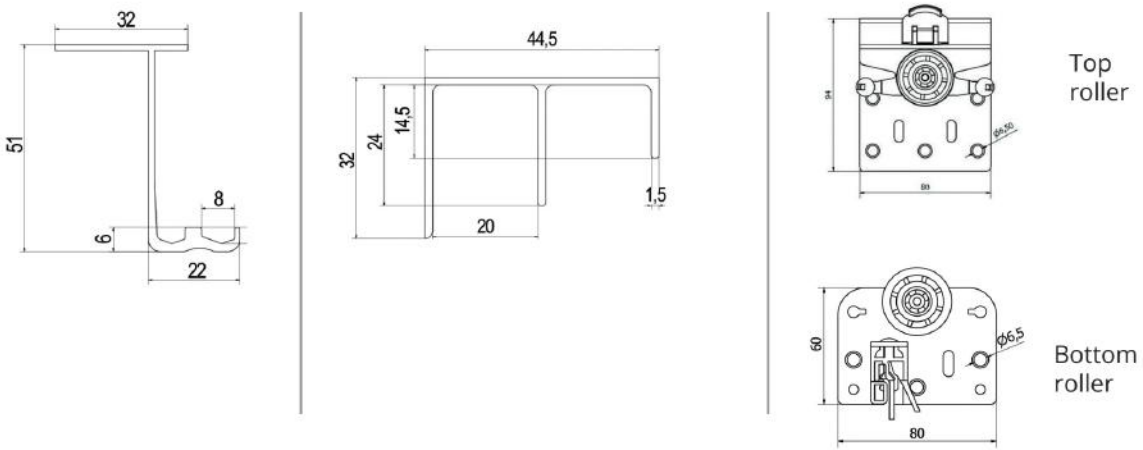
Suitable for interior applications

16 TopSlide Components



	Description	Code
2 Door fitting kit	3 Metre track	TS3000-2
	6 Metre track	TS6000-2
3 Door fitting kit	3 Metre track	TS3000-3
	6 Metre track	TS6000-3
4 Door fitting kit	3 Metre track	TS3000-4
	6 Metre track	TS6000-4

Fitting kit for two door includes: 2 x top roller (A), 1 x top roller (B), 1 x top roller (C), 2 x lower guide (A), 2 x lower guide (B) and 4 x soft close

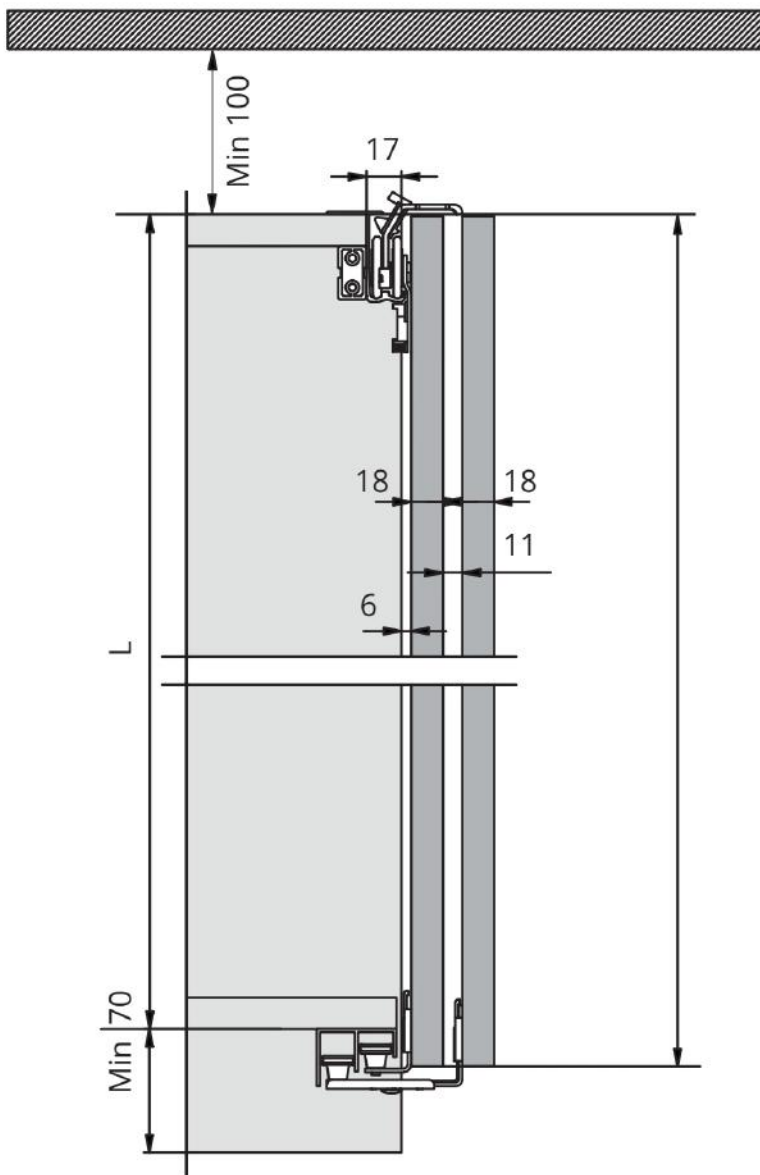


Contact for further information
 01280 822288 | www.runners-uk.co.uk | sales@runners-sales.com



Specification

- Maximum door panel weight: 60kg
- Minimum door thickness: 16mm
- Maximum door thickness: 22mm





Ultra

Wardrobe sliding door system

The Ultra wardrobe sliding system is perfect for free-standing wardrobes with overlay doors. A silent, effortless, sliding action and soft close/open gives added finesse.

The Ultra is easy to adjust and simple to install, which makes it a favourite with furniture manufacturers and bespoke cabinet makers. Ultra is a double track, bypassing system enabling multiple doors to slide behind each other.



Maximum door panel weight of 100kg per track.



Top hung



Full technical support



Soft close



Quick 'click' fit installation



Smooth gliding action when operating

18

Ultra Components



Fitting kit for 2 door includes: 2 x inner top rollers, 2 x outer top rollers, 4 x soft close/open units, 2 x inner bottom guide, 2 x outer bottom guide and 4 x lower stoppers)

	Description	Code
2 Door fitting kit	2.5 Metre track	U2500-2
	5 Metre track	U5000-2
3 Door fitting kit	2.5 Metre track	U2500-3
	5 Metre track	U5000-3
4 Door fitting kit	2.5 Metre track	U2500-4
	5 Metre track	U5000-4

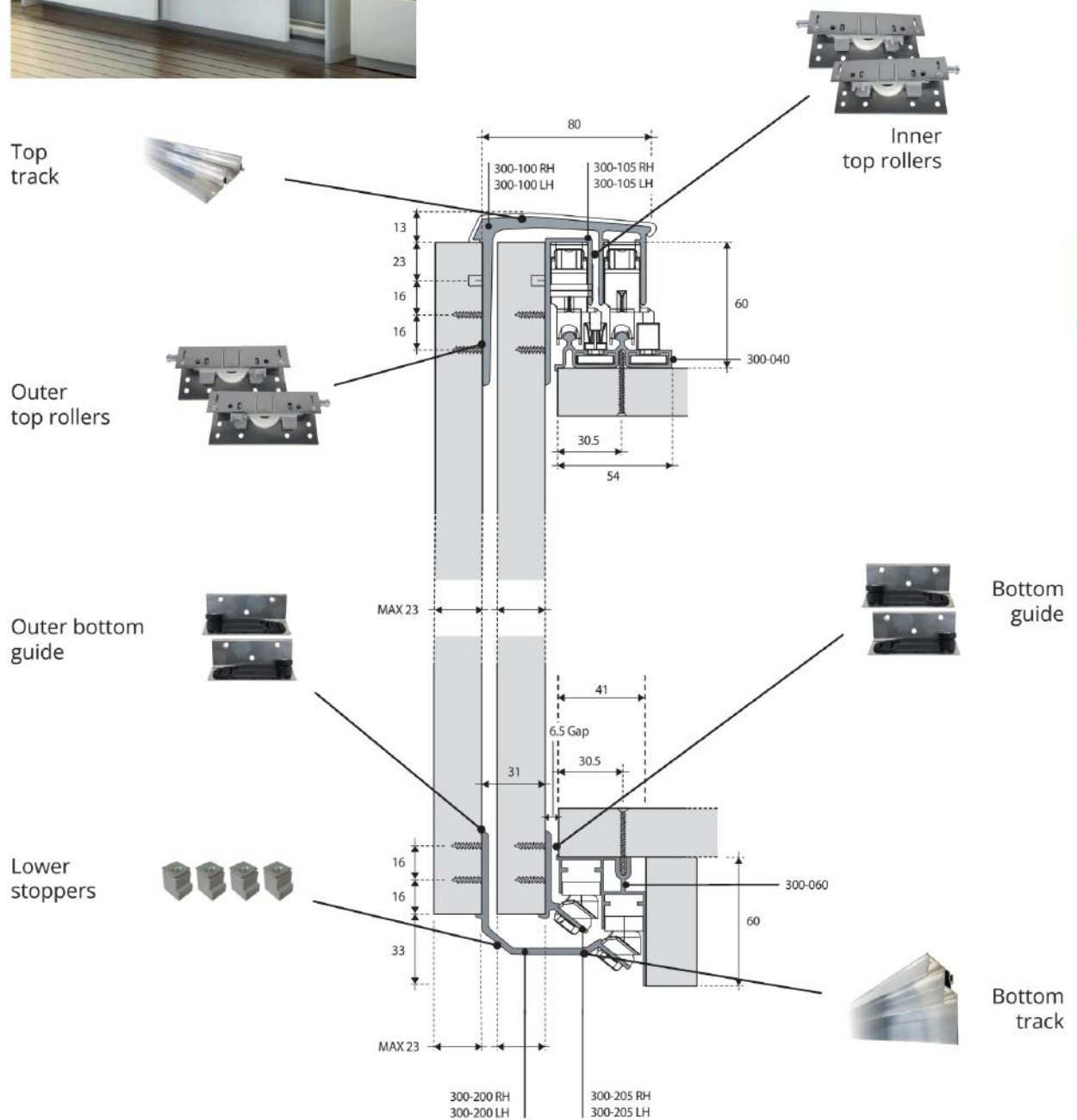


Contact for further information
01280 822288 | www.runners-uk.co.uk | sales@runners-sales.com



Specification

- Maximum door panel weight: 100kg
- Minimum door thickness: 18mm
- Maximum door thickness: 23mm
- Up to 50mm door thickness: Special order
- Suitable for overlay doors





Apartmento

Wardrobe sliding door system

The Apartmento bottom rolling sliding system is designed for large and small wardrobe doors, weighing up to 60kg.

With its smooth gliding action and soft close and open feature, it is suitable for high quality bespoke projects and for volume production. Ideal for built-in applications. Apartmento is a double track, bypassing system enabling multiple doors to slide behind each other.

- Maximum door panel weight of 60kg
- Top hung
- Full technical support
- Adjustable sliding solution
- Soft open & soft close included
- Smooth gliding action when operating
- Suitable for inset doors

20 Apartmento Components



Top guides



Adjustable rollers



Soft close



Top track



Bottom track

Fitting kit for 1 door includes: 2x Top guides, 2x Adjustable bottom rollers and 2x Soft close units

Description	Code
1 Door fitting kit with soft close	400-400
Top track 1.5m length	U5000-2
Bottom track 1.5m length	U2500-3

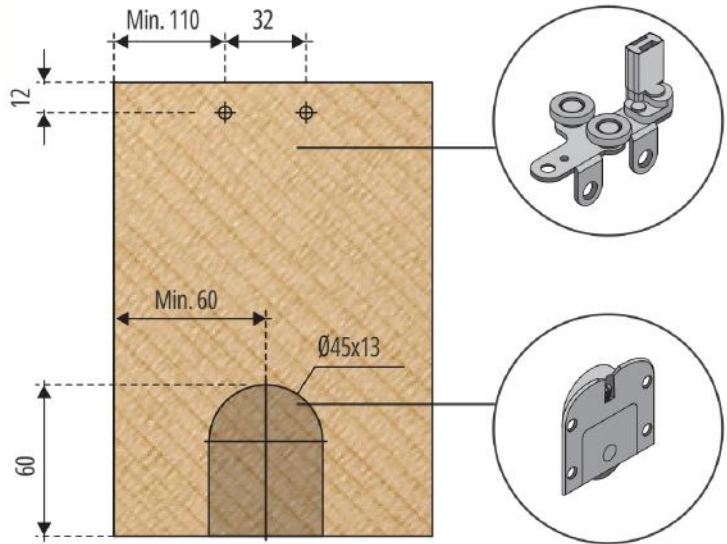


Contact for further information
 01280 822288 | www.runners-uk.co.uk | sales@runners-sales.com

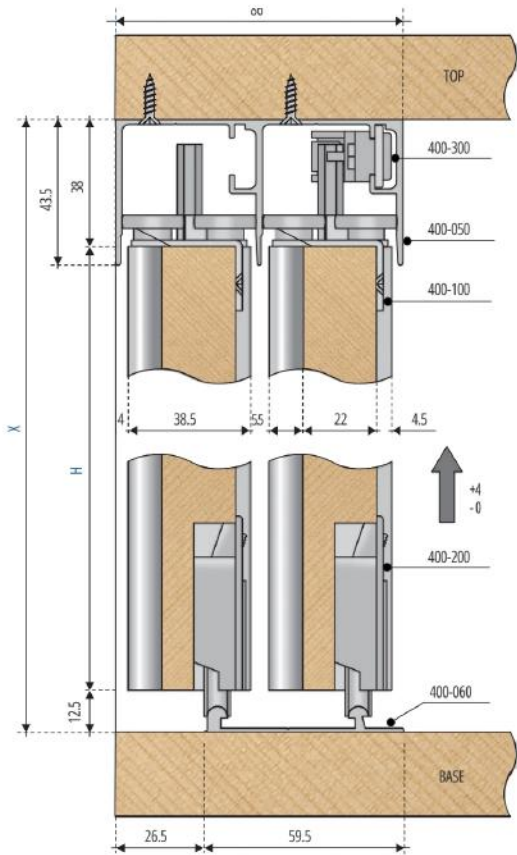


Specification

- Maximum door panel weight: 60kg
- Minimum door thickness: 18mm
- Maximum door thickness: 36mm



21



Contact for further information
 01280 822288 | www.runners-uk.co.uk | sales@runners-sales.com



Series Mini

Cabinet sliding door system

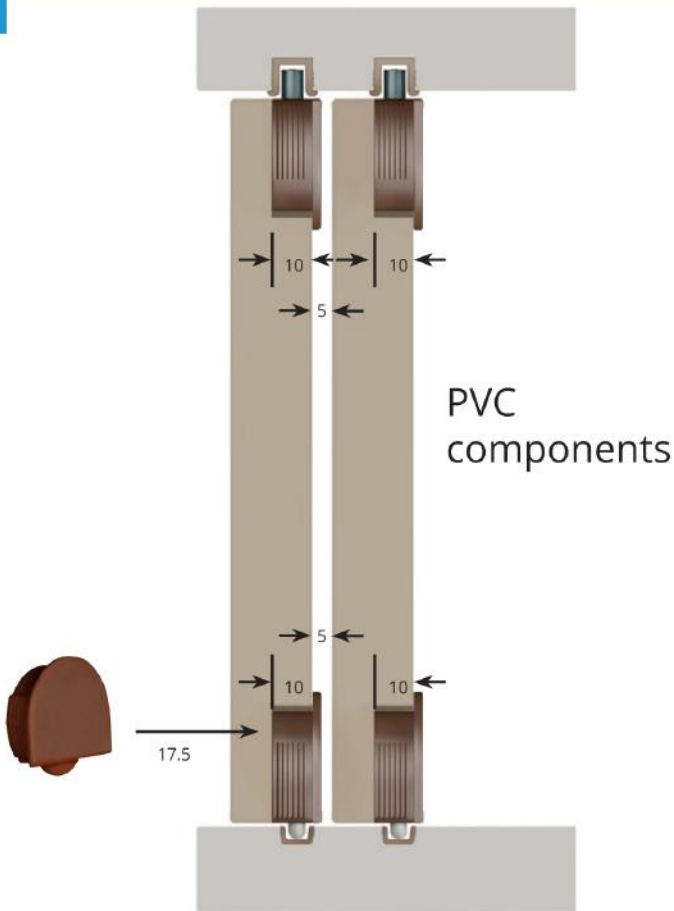
- Maximum door panel weight of 25kg.
- Bottom Rolling
- Full technical support
- Hassle free door solution
- Suited to 14-44mm thick doors
- Durable sliding system

The Series Mini is a bottom rolling, small and durable sliding door system designed for cabinets, cupboard doors and domestic wardrobes.

Featuring a wide selection of rollers and different profiled tracks in white and brown PVC, Series Mini is a truly versatile and practical system.

Series Mini has multiple tracks that can be placed in front of each other to create bypassing doors.

22



Contact for further information
01280 822288 | www.runners-uk.co.uk | sales@runners-sales.com

Fitting kits

Fitting kit for 1 door includes:
 2x Series mini bottom guide roller
 2x Series mini top guide roller
 1x Series mini bottom track PVC guide channel
 1x Series mini top track PVC guide channel

	Description	Code
Brown	Fitting kit 1 door - 3 Metre track	SMB-1
	Fitting kit 2 door - 3 Metre track	SMB-2
	Fitting kit 3 door - 6 (2 x 3M) Metre track	SMB-3
White	Fitting kit 1 door - 3 Metre track	SMW-1
	Fitting kit 2 door - 3 Metre track	SMW-2
	Fitting kit 3 door - 6 (2 x 3M) Metre track	SMW-3

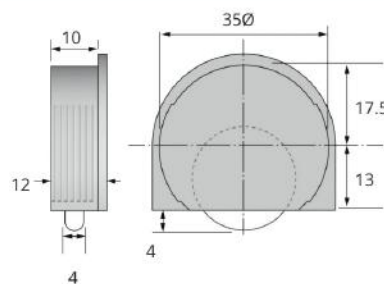
PVC components

Weights shown are overall door weights

Bottom roller



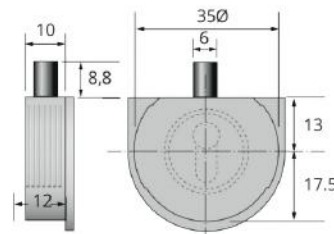
Description	Code
Ø 18mm Nylon wheel white	00-731W
Ø 18mm Nylon wheel brown	00-731B



Upper retractable guide



Description	Code
PVC Upper retractable guide white	00-730W
PVC Upper retractable guide brown	00-730B



Bottom guide channel

Actual size



Description	Code
PVC bottom guide channel 3 metre white	00-232W
PVC bottom guide channel guide 3 metre brown	00-232B

Top guide channel

Actual size



Description	Code
PVC top guide channel 3 metre white	00-226W
PVC top guide channel 3 metre brown	00-226B



Contact for further information
 01280 822288 | www.runners-uk.co.uk | sales@runners-sales.com




FurnGlass

Sliding door system


Featuring a flush and compact design, the FurnGlass is the ideal alternative for any of your sliding glass cabinet doors.

FurnGlass is designed for cabinets with glass doors weighing up to 15kg per panel.


The recessed track houses smooth gliding rollers which are connected to the slimline door profile. FurnGlass is a double track, bypassing system enabling multiple glass panels to slide behind each other.




Maximum door panel weight of 15kg.




Top hung




Full technical support



Adjustable solution



Suited to 15mm glass panels



Durable sliding system

24

FurnGlass Components



Aluminium top track



Aluminium glass door profile



Top rollers



Stops



Bottom guide

Fitting kit For 2 glass panels includes: 4 x top rollers, 4 x door stops, 1 x bottom guide

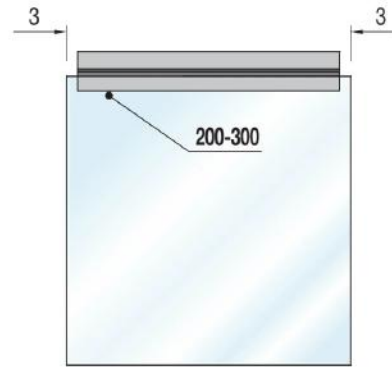
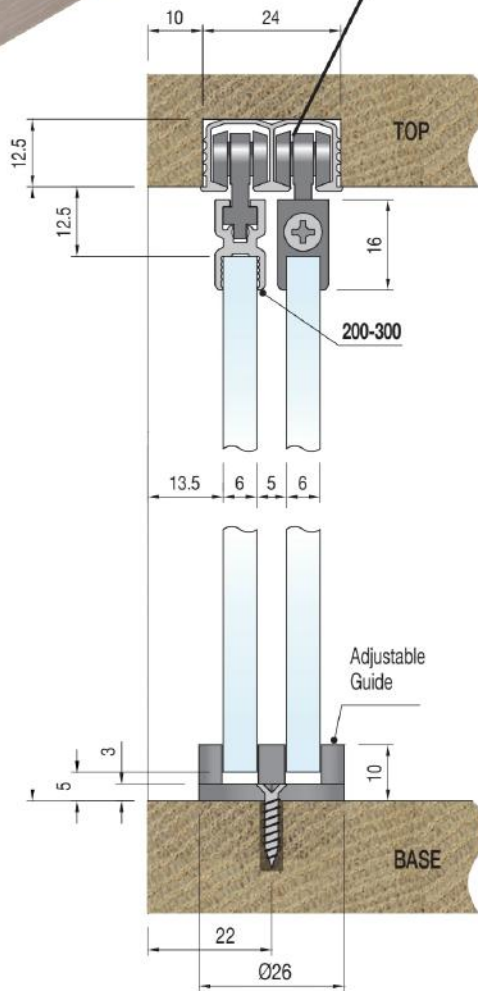
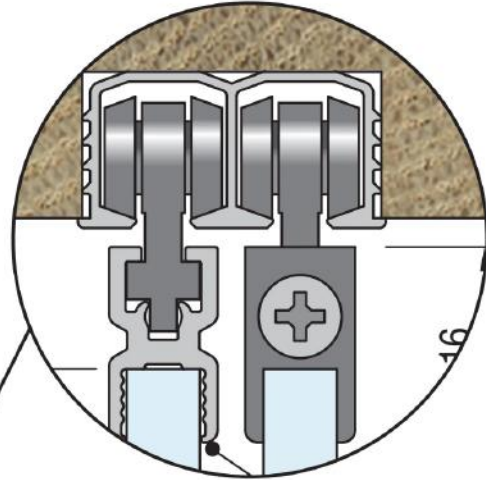
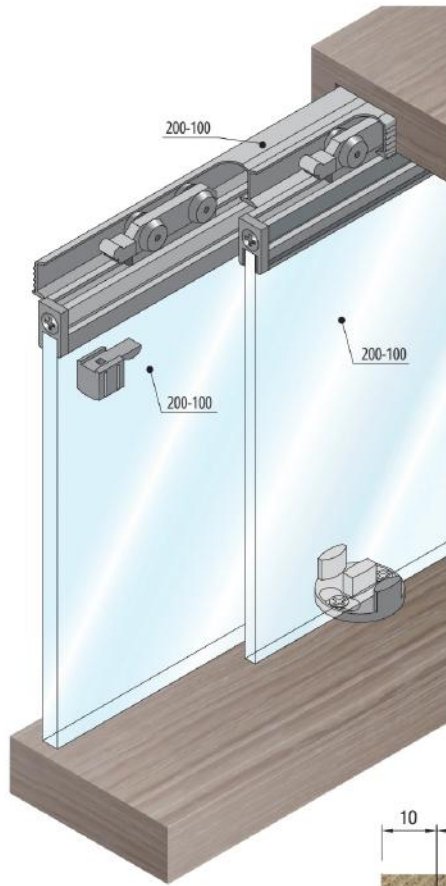
	Description	Code
2 Panel fitting kit	1.5 Metre track	FG1500-2
	3 Metre track	FG3000-2
	4.5 Metre track	FG4500-2
	6 Metre track	FG6000-2
4 Panel fitting kit	1.5 Metre track	FG1500-4
	3 Metre track	FG3000-4
	4.5 Metre track	FG4500-4
	6 Metre track	FG6000-4
6 Panel fitting kit	1.5 Metre track	FG1500-6
	3 Metre track	FG3000-6
	4.5 Metre track	FG4500-6
	6 Metre track	FG6000-6



Contact for further information
01280 822288 | www.runners-uk.co.uk | sales@runners-sales.com

Specification

- Max panel weight: 15kg
- Glass panel thickness: 6mm





DuraFold

Folding cabinet/Wardrobe door system

Suitable for doors up to 25kg (50kg for two panels).

Top hung

Full technical support

Inframe and overlay doors

Can be used with 2 or 2+2 doors

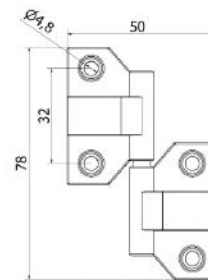
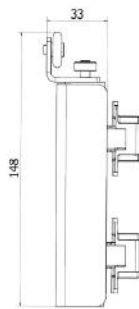
110 Degree opening - usage area

The DuraFold is a high quality bi-folding system, which is suitable for cabinet and wardrobe doors.

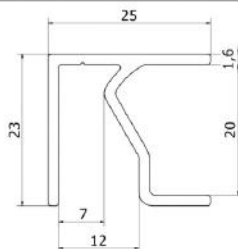
The DuraFold is a top rail solution with no bottom guide. Refined bearings make it a suitable option for larger door applications.

DuraFold Components

26



Top track profile
1.2 Metre, 2.4 Metre and 3.6 Metre options



4 Door fitting kit (2 x doors LH and 2 x doors right) includes: 8 x hinges, 1 x LH roller and 1 x RH roller

Description	Finish	Code
DuraFold Bifold Kit, 2 Left & 2 Right, 1.2m Track		DF1200
DuraFold Bifold Kit, 2 Left & 2 Right, 2.4m Track		DF2400
DuraFold Bifold Kit, 2 Left & 2 Right, 3.6m Track		DF3600
Blum hinge soft close cliptop blumotion 110° full overlay (16-26mm door thickness)	Chrome	CFE440
Blum hinge soft close cliptop blumotion 110° inset (16-26mm door thickness)	Chrome	CFE442
Blum hinge soft close cliptop blumotion 110° full overlay (16-26mm door thickness)	Onyx Black	71B3550.OB
Blum hinge soft close cliptop blumotion 110° inset (16-26mm door thickness)	Onyx Black	71B3550.OB
Blum hinge clip mounting plate cruciform - 1-part adjustable c/w pre-mount screws & expando dowels 0mm	Chrome	CFE407
Blum hinge clip mounting plate cruciform - 1-part adjustable c/w pre-mount screws & expando dowels 0mm	Onyx Black	141935

*No hinges included to connect first door to cabinet

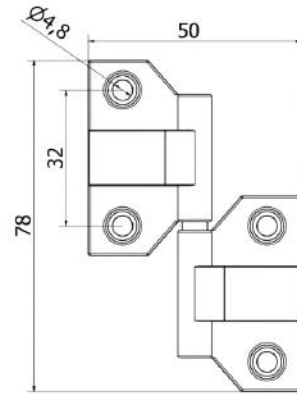
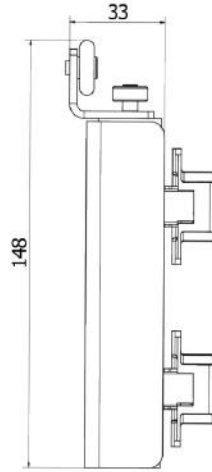


Contact for further information
01280 822288 | www.runners-uk.co.uk | sales@runners-sales.com

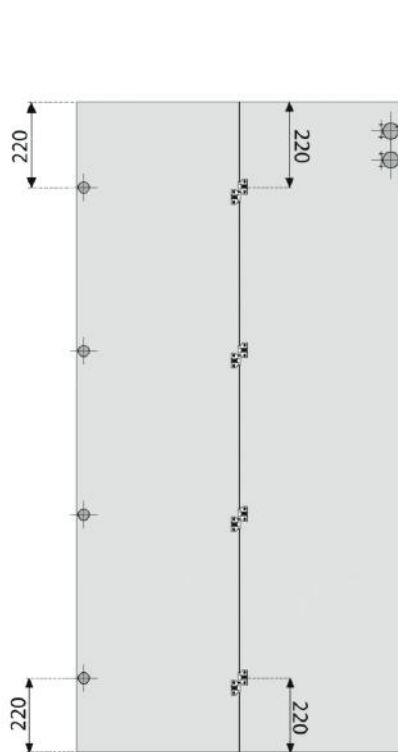


Specification

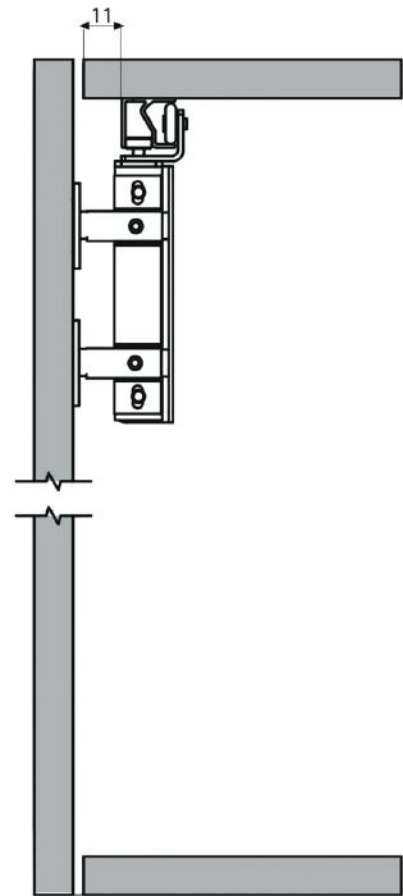
- Maximum panel weight: 25kg (50kg per 2 x panels)
- Door thickness: 16mm - 25mm
- Suitable panel widths: Up to 600mm
- For inset and overlay applications
- Maximum of 2 doors folding each side



27



Suitable for 35mm cup concealed hinges for hanging to cabinet.



Contact for further information
01280 822288 | www.runners-uk.co.uk | sales@runners-sales.com



FurnFold

Folding cabinet/Wardrobe door system



Suitable for doors up to 15kg (30kg for two panels).



Top hung



Full technical support



Inframe and overlay doors



Easy to fit and adjustable



Door thickness: 16-30mm

Furnfold bi-folding door track system for cabinet/wardrobe doors remains one of the most popular sellers in our range.

The Furnfold is the ideal lightweight bi-folding option for cabinet or wardrobe doors.

FurnFold Components

28



Aluminium top track



Aluminium lower profile



Hinges



Lower guide



Top roller

Fitting kit for 2 x doors left or 2 x doors right includes: 1 x top hinge roller and 3 x hinges

Fitting kit for 4 doors 2 x doors left + 2 x doors right includes: 2 x top hinge roller and 6 x hinges

	Description	Code
1.2 Metre Track	1.2 Metre top track, fitting kit for 2 doors (left or right) with lower track to suit	FF1200BT-2
	1.2 Metre top track, fitting kit for 4 doors (2 left 2 Right) with lower track to suit	FF1200BT-4
	1.2 Metre top track and fitting kit for 2 doors (left or right)	FF1200-2
	1.2 Metre top track, fitting kit for 4 doors (2 left 2 Right)	FF1200-4
2.4 Metre Track	2.4 Metre top track, fitting kit for 2 doors (left or right) with lower track to suit	FF2400BT-2
	2.4 Metre top track, fitting kit for 4 doors (2 left 2 Right) with lower track to suit	FF2400BT-4
	2.4 Metre top track and fitting kit for 2 doors (left or right)	FF2400-2
	2.4 Metre top track, fitting kit for 4 doors (2 left 2 Right)	FF2400-4
3.6 Metre Track	3.6 Metre top track, fitting kit for 2 doors (left or right) with lower track to suit	FF3600BT-2
	3.6 Metre top track, fitting kit for 4 doors (2 left 2 Right) with lower track to suit	FF3600BT-4
	3.6 Metre top track and fitting kit for 2 doors (left or right)	FF3600-2
	3.6 Metre top track, fitting kit for 4 doors (2 left 2 Right)	FF3600-4

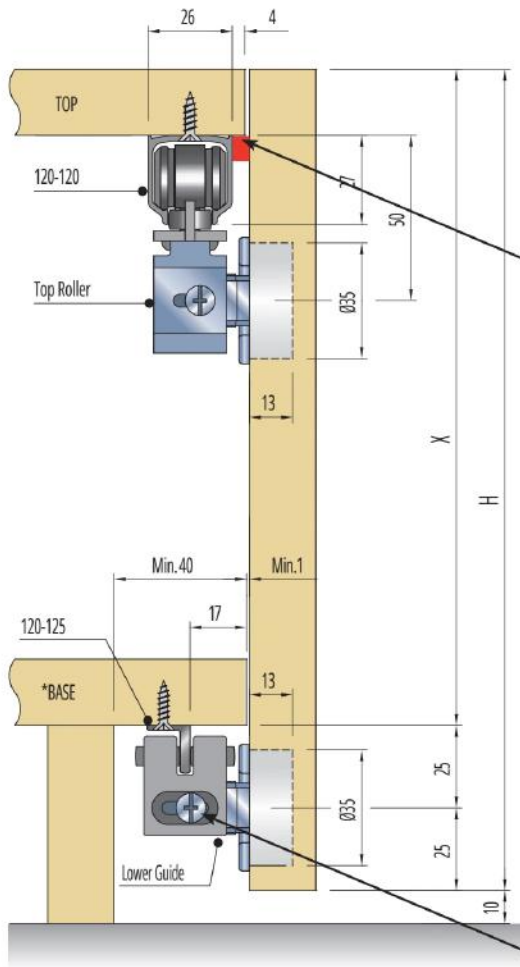


Contact for further information
01280 822288 | www.runners-uk.co.uk | sales@runners-sales.com

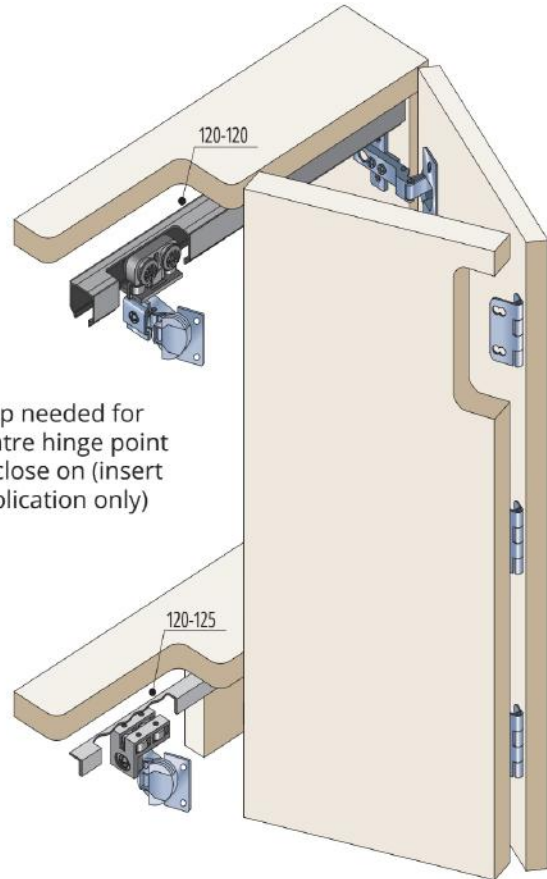


Specification

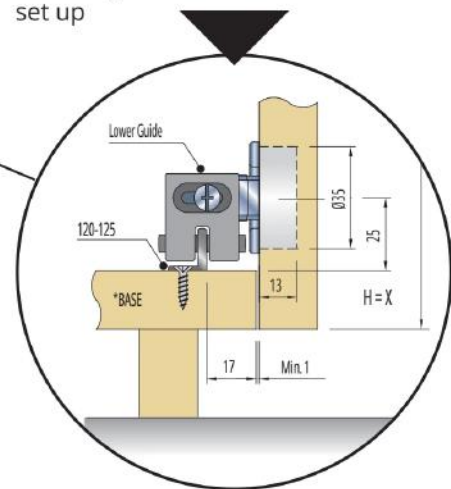
- Door thickness: 16mm - 30mm
- Suitable panel widths: Up to 500mm
- For inset and overlay applications
- Maximum of 2 doors folding each side



Stop needed for centre hinge point to close on (insert application only)



Alternative bottom guide set up





Slide&Hide

Concealed sliding door system

The Slide&Hide is a convenient and effortless concealed sliding solution with a capacity of up to 60 kg and compatibility with doors that are 16-18 mm thick and maximum door width of 600mm.

Ideal for small spaces, the Slide&Hide boasts an ergonomic cover that slides to hide the mechanism, maximising access to the usable area.



Suitable for doors up to 60kg



Featuring runners highest quality components



Full technical support



Hassle free door solution



Concealed solution

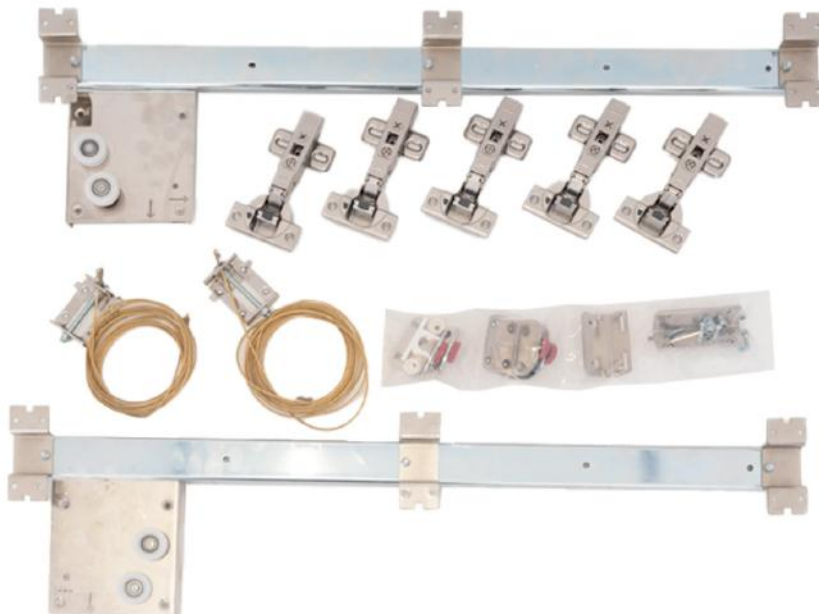


Suitable for interior applications

30 Slide&Hide Components

Description	Code
Single leaf door fitting kit	595-200

Fitting kit for single leaf includes: 1 x top guide, 2 x sections of cord, 5 x blum Blumotion hinges, 1 x bottom guide and 4 x small guides



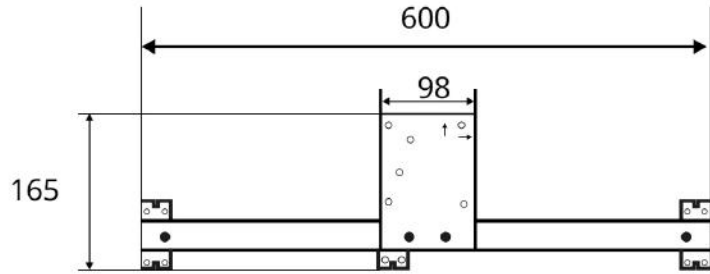
Contact for further information
01280 822288 | www.runners-uk.co.uk | sales@runners-sales.com



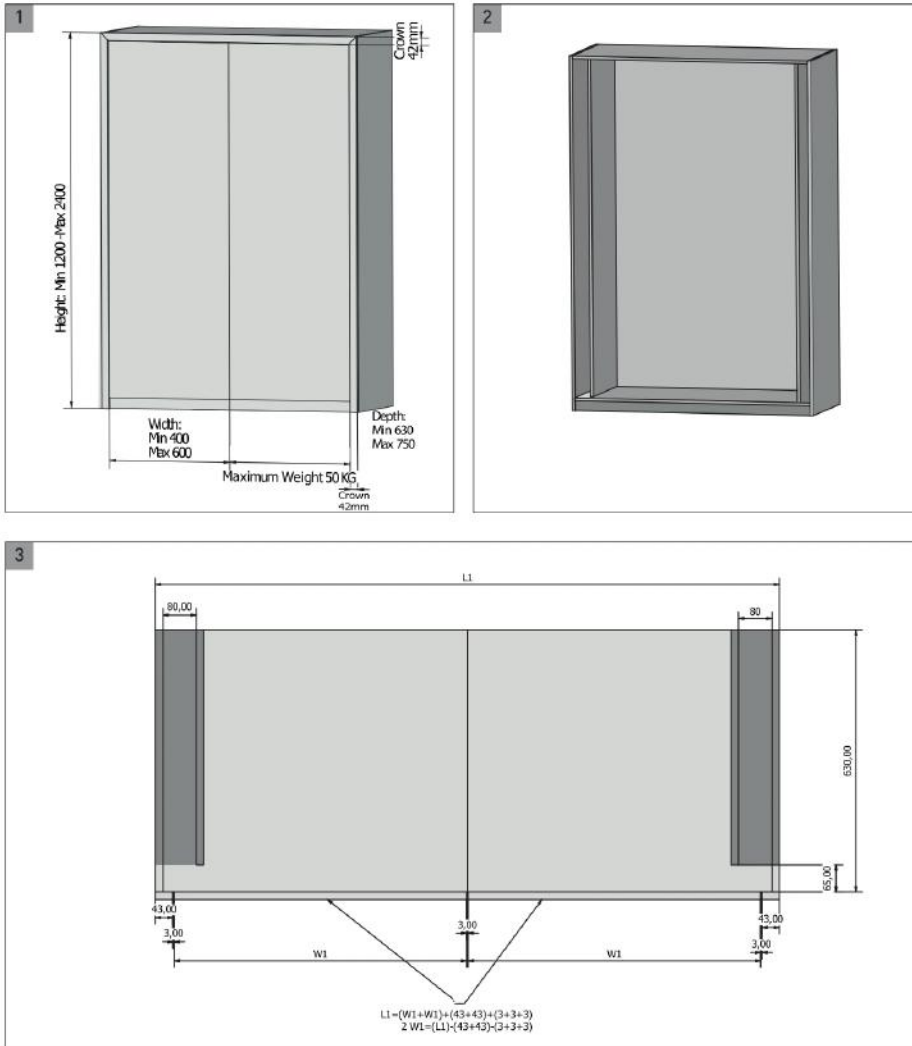
Slide&Hide

Concealed sliding door system

- Minimum cabinet depth: 630
- Maximum door panel weight: 50kg
- Maximum door thickness: 16-18mm
- Maximum door length: 2400mm
- Suitable for doors up to 600mm wide



Slide&Hide Assembly





ConcealX

Pocket sliding door system for single leaf doors

-  Maximum door panel weight of 50kg.
-  Featuring high quality components
-  Full technical support
-  Adjustable door ejection system
-  Pre-assembled System
-  Smooth gliding action when operating

Concealed, sliding pivot pocket door system. Perfect for wardrobes, offices or kitchens.

This system is ideal for apartments or situations where space is at a premium. To be used in single door applications.

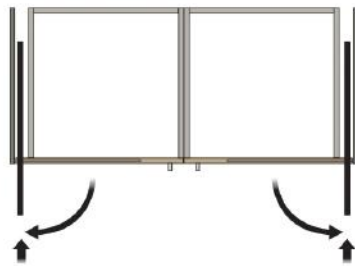
- Pre-assembled system
- Quick and easy to install

32

Kits



One door system = 1 - kit



Two door system = 2 - kit



Three door system = 3 - kit



Contact for further information
01280 822288 | www.runners-uk.co.uk | sales@runners-sales.com

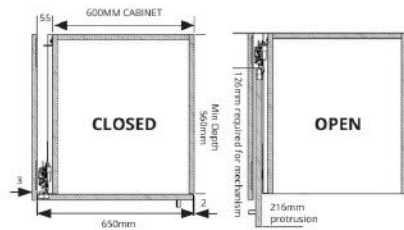


Specification

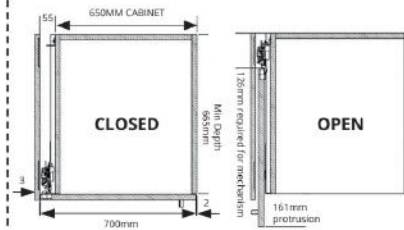
- Door heights and weights: 1200 - 1400mm = 30kg, 1990 - 2200mm = 30kg, 2200 - 2700mm = 50kg
- Door thickness: 18 - 30mm
- Door width: 200 - 700mm
- Cabinet depth options: depth 1 = 560mm, depth 2 = 665mm

Examples

Depth 1/560mm:
Using depth 1 kit

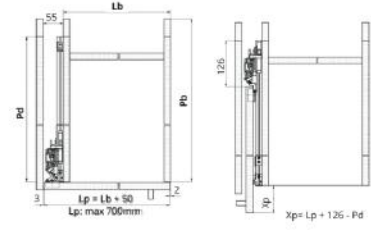


Depth 2/665mm:
Using depth 2 kit



Door calculator:

Lb = Cabinet Width | Pd = ConcealX Depth
Pb = Cabinet Depth | XP = Door leaf position
Lp = Door leaf width



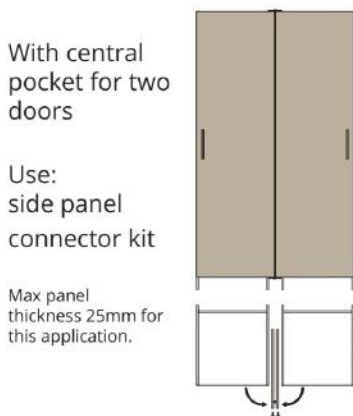
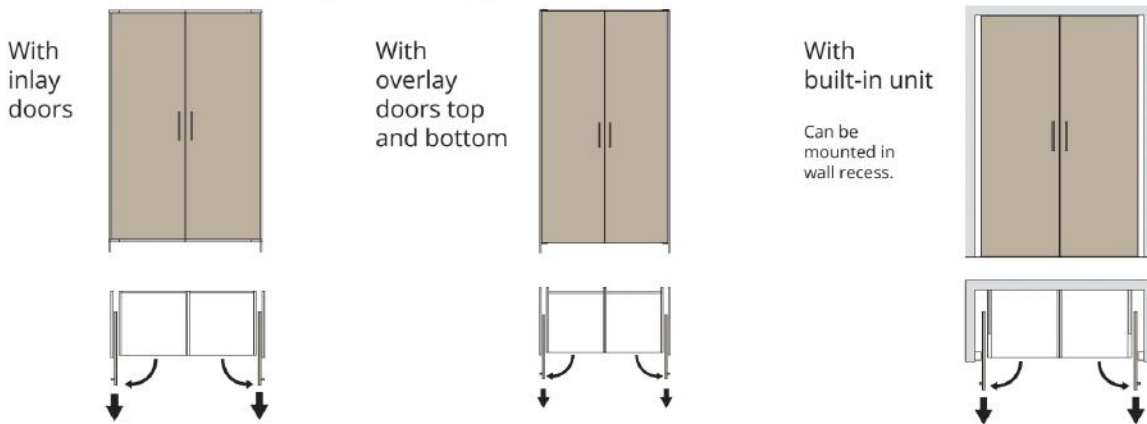
Depth 1 kit - 560mm	
Description	Code
1 Door kit 1200-1400mm	700-500
1 Door kit 1990-2200mm	700-501
1 Door kit 2200-2700mm	700-502

Depth 2 kit - 665mm	
Description	Code
1 Door kit 1200-1400mm	700-503
1 Door kit 1990-2200mm	700-504
1 Door kit 2200-2700mm	700-505

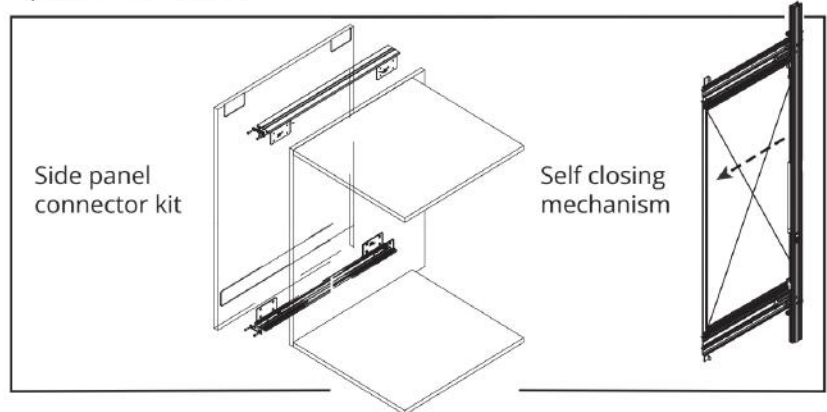
Accessories	
Description	Code
Side panel converter kit	700-604
Self closing mechanism ^{A)}	700-710
Central pocket connector kit	700-600

^{A)} Does not work with 1200 - 1400

Can be used for inlay, overlay or built in applications as illustrated below in various solutions.



Optional accessories





ConcealX Folding

Pocket sliding door system for double leaf doors

The ConcealX Folding system allows you to build wider units up to 2800mm wide with a pair of sliding doors folding into pockets on each side.

The ConcealX is fully soft closing and has a smooth gliding operation.

- Pre-assembled system
- Quick and easy to install

Maximum door panel weight of 60kg.

runners

Featuring high quality components

Pre-assembled system

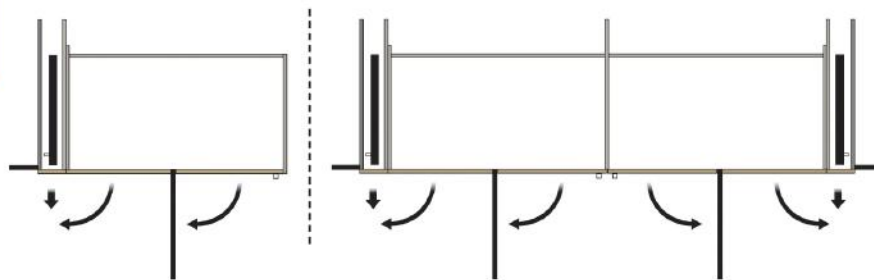
Full technical support

Adjustable door ejection system

Smooth gliding action when operating

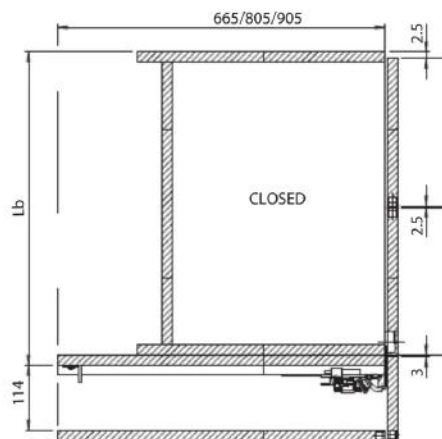
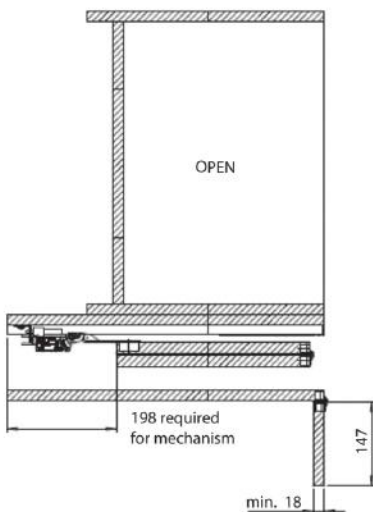
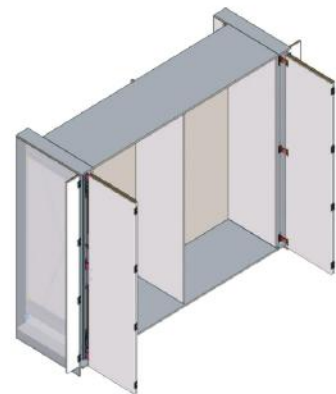
34

Kits



One door system = 1 - kit

Two door system = 2 - kit



Depth 1 kit - 665mm (max door width 460mm)

Description	Code
1 Pair folding kit 1990-2200	750-501

Depth 2 kit - 805mm (max door width 600mm)

Description	Code
1 Pair folding kit 1200-1400	750-503
1 Pair folding kit 1990-2200	750-504
1 Pair folding kit 2200-2700	750-505

Depth 3 kit - 905mm (max door width 700mm)

Description	Code
1 Pair folding kit 2200-2700	750-506



Contact for further information
01280 822288 | www.runners-uk.co.uk | sales@runners-sales.com



Specification

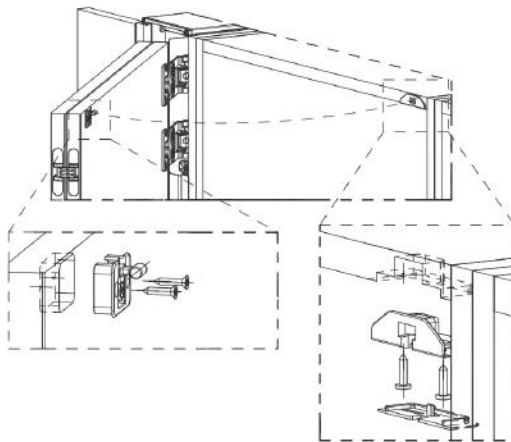
- **Door heights and weights:** 1200 - 1400mm = 30kg, 1990 - 2200mm = 60kg, 2200 - 2700mm = 60kg
- **Door thickness:** 18 - 30mm
- **Door width:** 200 - 700mm
- **Cabinet depth options:** depth 1 = 665mm, depth 2 = 805mm and depth 3 = 905mm



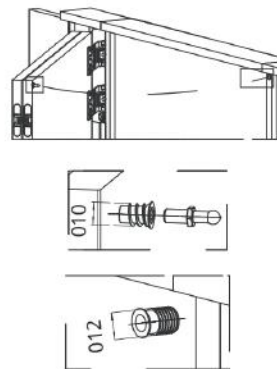
Scan to view the video

Optional accessories: Enhance your concealed sliding door system

Adjustable door support pin (optional)



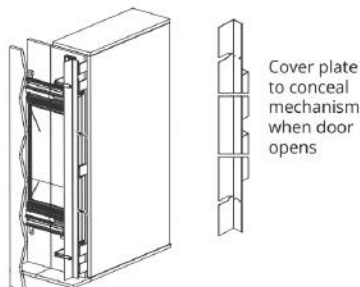
Door support pin (optional)



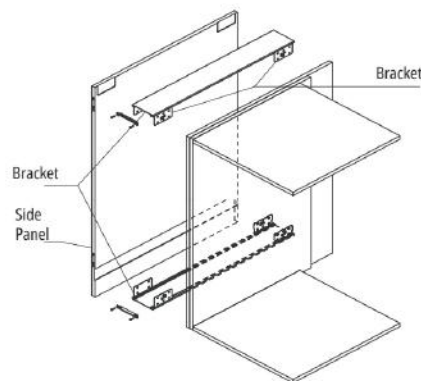
Accessories	
Description	Code
Adjustable support pin	750-510
Door support pin	750-511
Side panel connector	750-512
Magnet kit	750-513
Cover plate 1200-1400	750-514
Cover plate 1990-2200	750-515
Cover plate 2200-2700	750-516

35

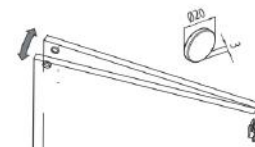
Adjustable covering plate support pin (Optional)



Side panel connector (optional)



Set of 4 magnets for holding leaves together when open (optional)



Contact for further information
01280 822288 | www.runners-uk.co.uk | sales@runners-sales.com



Interior Sliding Systems







Barnstyle

Single sliding door system

Perfect for creating that traditional effect in a beautiful residential setting. Likewise it can be utilised in modern environments as a contrasting feature.

Very smooth running and straightforward to fit. Suitable for doors weighing up to 100kg.

- kg**
Maximum door panel weight of 100kg.
- Top hung**
- Full technical support**
- Track bar size 6 x 40mm**
- For use on 35-45mm thick doors**
- Max door opening width: 1000mm**

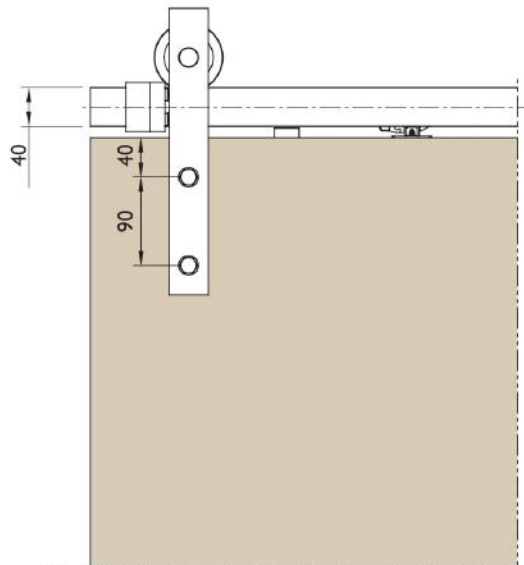
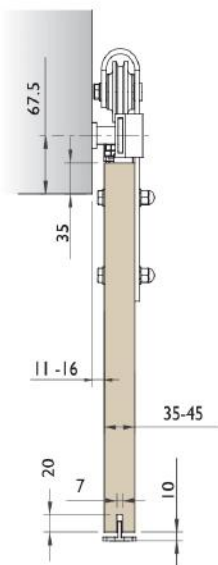
Barnstyle Components

36



Fitting kit includes: 2 metre steel track, 2 x roller brackets, 2 x roller stops, 5 x track brackets and 1 x door guide

Description	Code
Barnstyle sliding door kit	40-200
Barnstyle soft close	40-201



Contact for further information
01280 822288 | www.runners-uk.co.uk | sales@runners-sales.com



Barnstyle

Stainless steel single sliding door system

Maximum door panel weight of 100kg.

Top hung

For use on 35-45mm thick doors

Full technical support

Track bar size 6 x 40mm

Max door opening width: 1000mm

The Barnstyle stainless steel single door sliding kit features a robust stainless steel track and can hold a door panel up to 100kg.

This Barnstyle kit features smooth rolling hangers making it incredibly reliable.

Barnstyle stainless steel Components



Roller brackets



Roller stop



Track bracket



Anti-jump pin



Soft close



Door guide

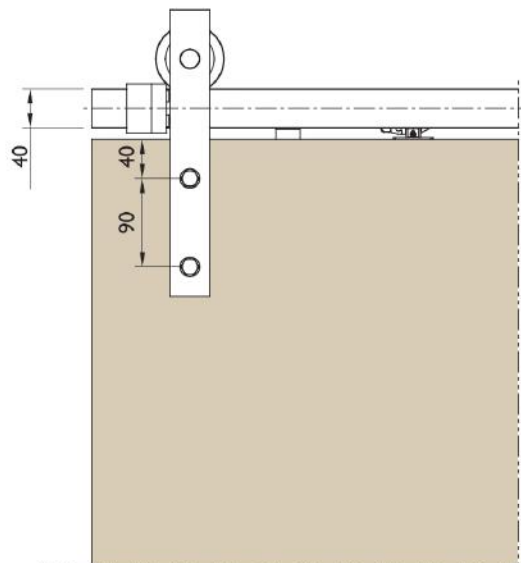
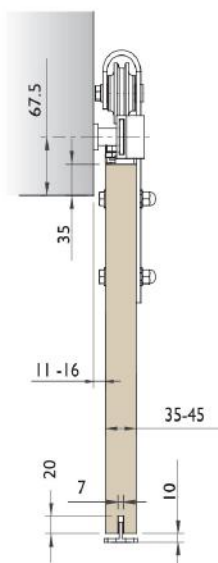


2m Stainless steel track

37

Fitting kit includes: 2 metre steel track, 2 x roller brackets, 2 x roller stops, 5 x track brackets and 1 x door guide

Description	Code
Barnstyle stainless steel sliding door kit	40-250
Barnstyle soft close and open	40-201



Contact for further information
01280 822288 | www.runners-uk.co.uk | sales@runners-sales.com



Tommaslide Glass

Glass panel straight sliding system

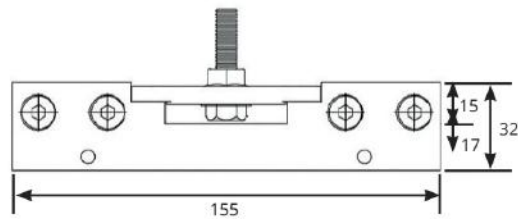
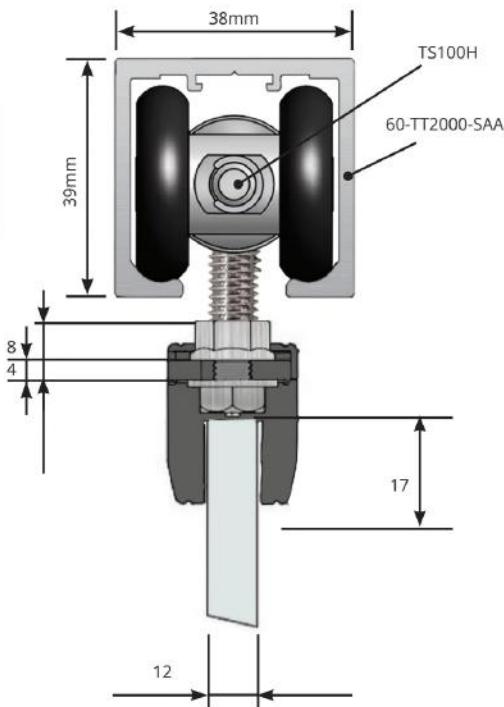
Tommaslide Glass is suitable for 8mm, 10mm and 12mm glass thickness. Featuring a smooth rolling system that is suitable for a frameless glass panels.

The Tommaslide can be Soffit fixed to your door frame or Face fixed to the side of your wall. All Tommaslide rollers are tested to 100,000 cycles and come with a 10 year warranty.

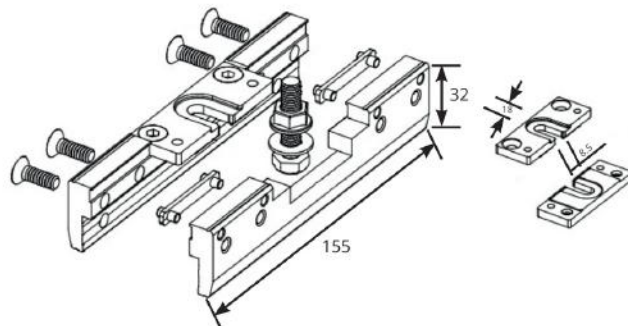
- kg**
Maximum door panel weight of 100kg.
- ↑**
Top hung
- |||**
Supports 8mm, 10mm and 12mm glass thickness
- ↔**
Tested to 100,000 cycles
- ||**
Smooth gliding action when operating
- Suitable for frameless glass panels

Door bracket

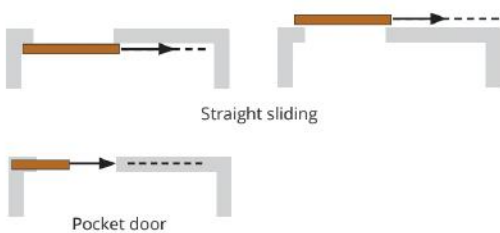
38



Full Height Bracket



Typical panel configurations



Soffit fixing



Face fixing



Face fixing bracket Single and Double (optional extra)



Single track fixing: TS200SB

Double track fixing: TSFFB



Contact for further information
01280 822288 | www.runners-uk.co.uk | sales@runners-sales.com

Fastfix without soft close Kit components

High impact door stop



4 Wheeled door hanger



FastFix bracket



Top Track



2m / 3m / 4m

Kit	Kit code
Without soft close, panel weight up to 100kg and 2m track	TG2000
Without soft close, panel weight up to 100kg and 3m track	TG3000
Without soft close, panel weight up to 100kg and 4m track	TG4000

Fastfix soft close Kit components

High impact door stop



4 Wheeled door hanger



FastFix bracket



Soft close



Top Track



2m / 3m / 4m

Kit	Kit code
Fastfix kit with 2m track	TG2000-20
Fastfix kit with 3m track	TG3000-20
Fastfix kit with 4m track	TG4000-20

Kit	Kit code
Fastfix kit with 2m track	TG2000-60
Fastfix kit with 3m track	TG3000-60
Fastfix kit with 4m track	TG4000-60

Kit	Kit code
Fastfix kit with 2m track	TG2000-40
Fastfix kit with 3m track	TG3000-40
Fastfix kit with 4m track	TG4000-40

Kit	Kit code
Fastfix kit with 2m track	TG2000-80
Fastfix kit with 3m track	TG3000-80
Fastfix kit with 4m track	TG4000-80

Fastfix soft close and open Kit components

FastFix bracket



Soft close



Trigger plate



Top Track



2m / 3m / 4m

Kit	Kit code
Fastfix kit with 2m track	TG2000-20
Fastfix kit with 3m track	TG3000-20
Fastfix kit with 4m track	TG4000-20

Kit	Kit code
Fastfix kit with 2m track	TG2000-60
Fastfix kit with 3m track	TG3000-60
Fastfix kit with 4m track	TG4000-60

Kit	Kit code
Fastfix kit with 2m track	TG2000-40
Fastfix kit with 3m track	TG3000-40
Fastfix kit with 4m track	TG4000-40

Kit	Kit code
Fastfix kit with 2m track	TG2000-80
Fastfix kit with 3m track	TG3000-80
Fastfix kit with 4m track	TG4000-80

Screws are included with all kits - TS-FFB-SC | Spanner is also included - TS-SPAN-PRES



Contact for further information
01280 822288 | www.runners-uk.co.uk | sales@runners-sales.com



Tommaslide 100

Straight sliding door system

- kg**
Maximum door panel weight of 100kg.
- Top hung**
- Full technical support**
- Soffit fixed or face fixed**
- Smooth gliding action when operating**
- FastFix or Full Height brackets**

10 Year warranty

On all Tommaslide rollers

Tommaslide 100 is a modern, top hung sliding door system that can be operated with an effortless touch, producing a consistent smooth operation throughout the product lifetime for panels weighing up to 100kg.

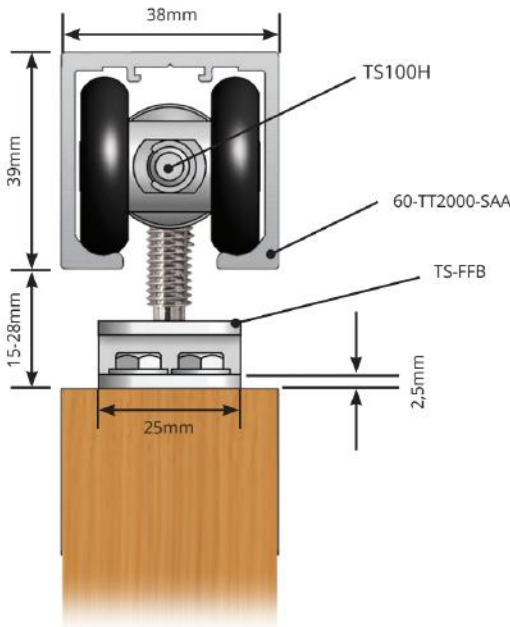
The Tommaslide 100 can be Soffit fixed to your door frame or Face fixed to the side of your wall. All Tommaslide rollers are tested to 100,000 cycles and come with a 10 year warranty.

- Maximum door weight without soft close: 100kg
- Maximum door weight with soft close: 80kg
- Minimum panel width with soft close and open: 762mm
- Minimum panel width with soft close: 370mm
- Minimum door thickness: 30mm

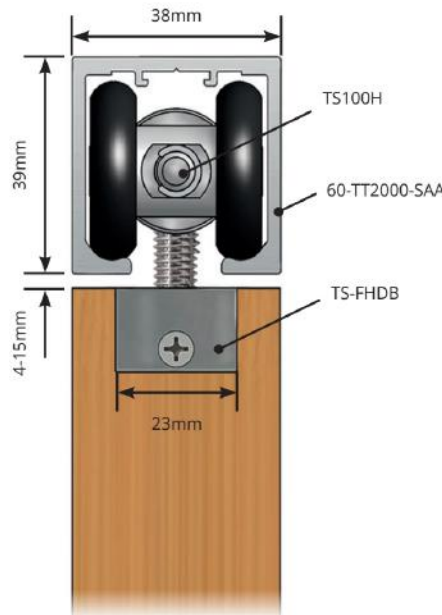
40

Door bracket choices

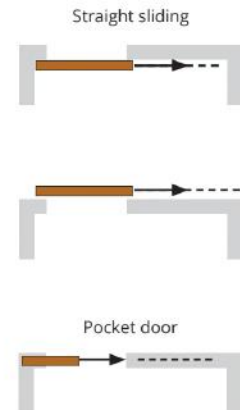
Fastfix Bracket



Full Height Bracket



Typical panel configurations



Contact for further information
01280 822288 | www.runners-uk.co.uk | sales@runners-sales.com

Fastfix without soft close Kit components

High impact door stop



x 2

Code: TS100DS

4 Wheeled door hanger



x 2

Code: TS100H

FastFix bracket



x 2

Code: TS-FFB

Kit Code	Stops	Hangers	FastFix brackets
TS100FFD/0	2 x TS100DS	2 x TS100H	2 x TS-FFB

Screws are included with all kits - TS-FFB-SC | Spanner is also included - TS-SPAN-PRES

Fastfix soft close Kit components

High impact door stop



x 1

Code: TS100DS

4 Wheeled door hanger



x 1

Code: TS100H

FastFix bracket



x 2

Code: TS-FFB

Soft close



x 1

Trigger plate
TSSCT

Code: TS100SC-__

Door weight	Kit code	Stops	Hangers	Bracket	Soft close	
0-20kg	TS100FFD/1-20	Includes	1 x TS100DS	1 x TS100H	2 x TS-FFB	1 x TS100SC0-20
20-40kg	TS100FFD/1-40		1 x TS100DS	1 x TS100H	2 x TS-FFB	1 x TS100SC20-40
40-60kg	TS100FFD/1-60		1 x TS100DS	1 x TS100H	2 x TS-FFB	1 x TS100SC40-60
60-80kg	TS100FFD/1-80		1 x TS100DS	1 x TS100H	2 x TS-FFB	1 x TS100SC60-80

Screws are included with all kits - TS-FFB-SC | Spanner is also included - TS-SPAN-PRES

41

Fastfix soft close and open Kit components

FastFix bracket



x 2

Code: TS-FFB

Soft close



x 2

Trigger plate
TSSCT

Code: TS100SC-__

Trigger plate



x 2

Code: TSSCT

Door weight	Kit code	Bracket	Soft close	
0-20kg	TS100FFD/2-20	Includes	2 x TS100SC0-20	
20-40kg	TS100FFD/2-40		2 x TS-FFB	2 x TS100SC20-40
40-60kg	TS100FFD/2-60		2 x TS-FFB	2 x TS100SC40-60
60-80kg	TS100FFD/2-80		2 x TS-FFB	2 x TS100SC60-80

Screws are included with all kits - TS-FFB-SC | Spanner is also included - TS-SPAN-PRES



Contact for further information
01280 822288 | www.runners-uk.co.uk | sales@runners-sales.com

Tommaslide 100 specification

Full Height without soft close Kit components

High impact door stop



x 2

Code: TS100DS

4 Wheeled door hanger



x 2

Code: TS100H

Full height bracket



x 2

Code: TS-FHDB

Kit Code	Stops	Hangers	Full height brackets
TS100FHD/0	2 x TS100DS	2 x TS100H	2 x TS-FHDB

Screws are included with all kits - TS-FFB-SC | Spanner is also included - TS-SPAN-PRES

Full Height soft close Kit components

High impact door stop



x 1

Code: TS100DS

4 Wheeled door hanger



x 1

Code: TS100H

Full Height bracket



x 2

Code: TS-FFB

Soft close



x 1

Code: TS100SC_
Trigger plate TSSCT

42

Door weight	Kit code		Stops	Hangers	Bracket	Soft close
0-20kg	TS100FHD/1-20	Includes	1 x TS100DS	1 x TS100H	2 x TS-FHDB	1 x TS100SC0-20
20-40kg	TS100FHD/1-40		1 x TS100DS	1 x TS100H	2 x TS-FHDB	1 x TS100SC20-40
40-60kg	TS100FHD/1-60		1 x TS100DS	1 x TS100H	2 x TS-FHDB	1 x TS100SC40-60
60-80kg	TS100FHD/1-80		1 x TS100DS	1 x TS100H	2 x TS-FHDB	1 x TS100SC60-80

Screws are included in kit - TS-FFB-SC | Spanner is also included - TS-SPAN-PRES

Full Height soft close and open Kit components

Fast Height bracket



x 2

Code: TS-FFB

Soft close



x 2

Code: TS100SC_

Trigger plate



x 2

Code: TSSCT

Door weight	Kit code		Bracket	Soft Close
0-20kg	TS100FHD/2-20	Includes	2 x TS-FHDB	2 x TS100SC0-20
20-40kg	TS100FHD/2-40		2 x TS-FHDB	2 x TS100SC20-40
40-60kg	TS100FHD/2-60		2 x TS-FHDB	2 x TS100SC40-60
60-80kg	TS100FHD/2-80		2 x TS-FHDB	2 x TS100SC60-80

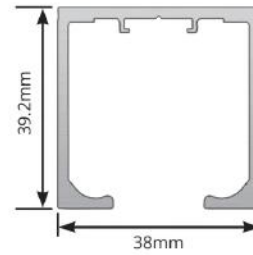
Screws are included in kit - TS-FFB-SC | Spanner is also included - TS-SPAN-PRES



Contact for further information
01280 822288 | www.runners-uk.co.uk | sales@runners-sales.com

Top track Satin aluminium

Length	Code
2 Metre	60-TT2000-SAA
3 Metre	60-TT3000-SAA
4 Metre	60-TT4000-SAA
6 Metre	60-TT6000-SAA



Face fixing



Face fixing bracket
Single and Double
(optional extra)



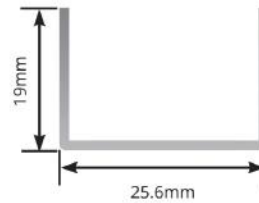
Soffit
fixing

Single track fixing: TS200SB

Double track fixing: TSFFB

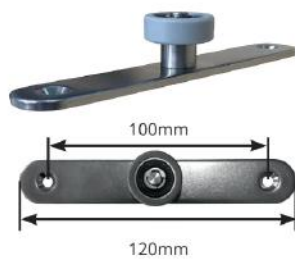
Bottom track Satin Aluminium

Length	Code
2 Metre	10-60-BT2000-CA
3 Metre	10-60-BT3000-CA
4 Metre	10-60-BT4000-CA
6 Metre	10-60-BT6000-CA



Bottom guides

Single bearing guide



Code: TS-SBG

Single guide

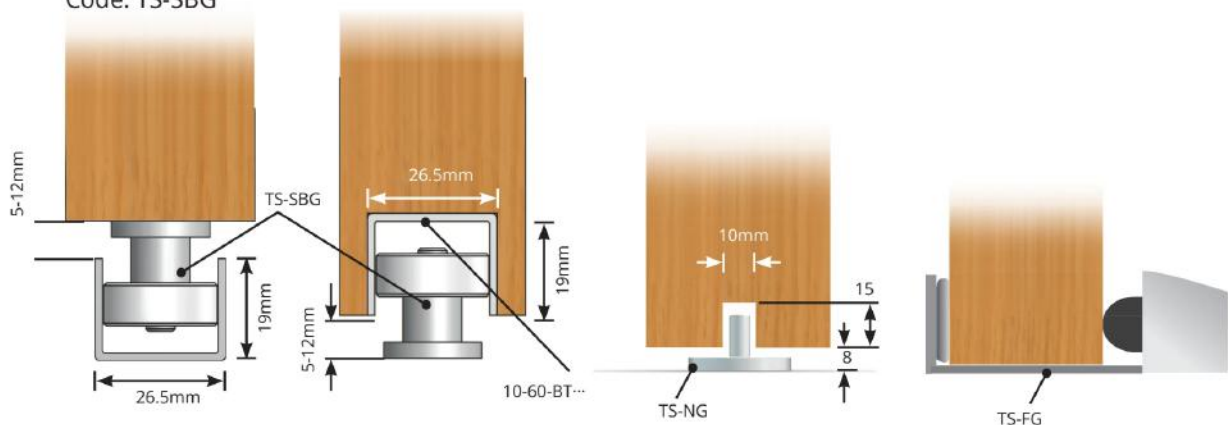


Code: TS-NG

Floor guide



Code: TS-FG
To suit doors between
30 & 60mm



Contact for further information
01280 822288 | www.runners-uk.co.uk | sales@runners-sales.com



Tommaslide 200

Straight sliding door system

- Suitable for doors up to 200kg.
- Top hung
- Full technical support
- Soft open & close
- FastFix or Full Height brackets
- Soffit fixed or face fixed

10 Year warranty

On all Tommaslide rollers

Tommaslide 200 is a modern, top hung sliding door system that can be operated with an effortless touch, producing a consistent smooth operation throughout the product lifetime for panels weighing up to 200kg.

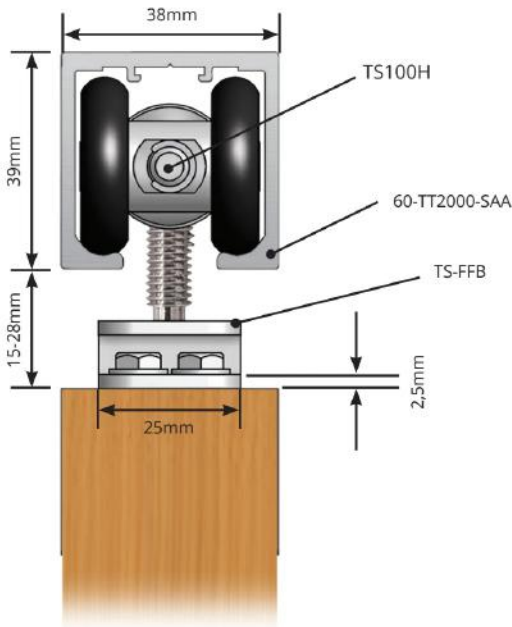
The Tommaslide 200 can be Soffit fixed to your door frame or Face fixed to the side of your wall. All Tommaslide rollers are tested to 100,000 cycles and come with a 10 year warranty.

- Maximum door weight without soft close: 200kg
- Maximum door weight with soft close: 160kg
- Minimum panel width with soft close and open: 800mm
- Minimum panel width with soft close: 400mm
- Minimum door thickness: 30mm

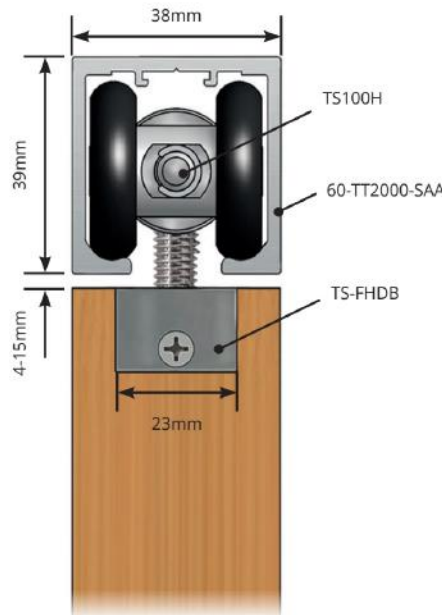
44

Door bracket choices

Fastfix Bracket



Full Height Bracket



Typical panel configurations



Contact for further information
01280 822288 | www.runners-uk.co.uk | sales@runners-sales.com

Fastfix without soft close Kit components - Code: TS200FFD

High impact door stop



Code: TS200DS

4 Wheeled door hanger



Code: TS200H

FastFix bracket



Code: TS-FFB

Screws are included with all kits - TS-FFB-SC | Spanner is also included - TS-SPAN-PRES

Fastfix soft close Kit Components - Code: TS160FFD/1-160

High impact door stop



Code: TS200DS

4 Wheeled door hanger



Code: TS160H

FastFix bracket



Code: TS-FFB

Soft close



Code: TS160SC160

Screws are included with kit - TS-FFB-SC | Spanner is also included - TS-SPAN-PRES

Fastfix soft close & open Kit components - Code: TS160FFD/2-160

FastFix bracket



Code: TS-FFB

Soft close



Code: TS160SC160

Soft close trigger plate



Code: TSSCT

Screws are included with kit - TS-FFB-SC | Spanner is also included - TS-SPAN-PRES

Full Height without soft close Kit components - Code: TS200FHD

High impact door stop



Code: TS200DS

4 Wheeled door hanger



Code: TS200H

Full Height bracket



Code: TS-FHDB

Screws are included with all kits - TS-FFB-SC | Spanner is also included - TS-SPAN-PRES



Contact for further information
01280 822288 | www.runners-uk.co.uk | sales@runners-sales.com

Tommaslide 200 specification

Full Height soft close Kit components - Code: TS160FHD/1-160

High impact door stop



Code: TS200DS

4 Wheeled door hanger



Code: TS160H

Full Height bracket



Code: TS-FHDB

Soft close



Code: TS160SC160

Trigger plate
TSSCT

Screws are included with kit - TS-FFB-SC | Spanner is also included - TS-SPAN-PRES

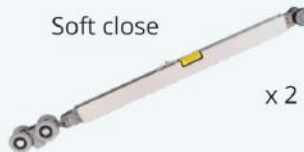
Full Height soft close & open Kit Components - Code: TS160FHD/2-160

Full Height bracket



Code: TS-FHDB

Soft close



Code: TS160SC160

Soft close trigger plate



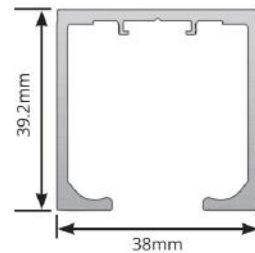
Code: TSSCT

Screws are included with kit - TS-FFB-SC | Spanner is also included - TS-SPAN-PRES

46

Top track Satin Aluminium

Length	Code
2 Metre	60-TT2000-SAA
3 Metre	60-TT3000-SAA
4 Metre	60-TT4000-SAA
6 Metre	60-TT6000-SAA



Face fixing

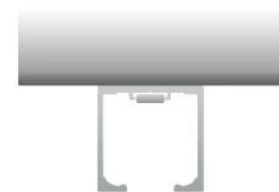


Single track fixing: TS200SB



Double track fixing: TSFFB

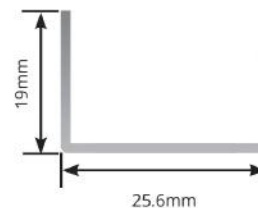
Face fixing bracket
Single and Double
(optional extra)



Soffit
fixing

Bottom track Satin Aluminium

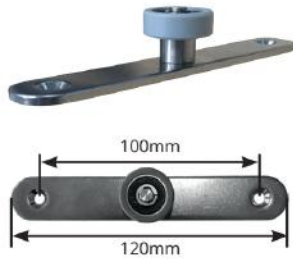
Length	Code
2 Metre	10-60-BT2000-CA
3 Metre	10-60-BT3000-CA
4 Metre	10-60-BT4000-CA
6 Metre	10-60-BT6000-CA



Contact for further information
01280 822288 | www.runners-uk.co.uk | sales@runners-sales.com

Bottom guides

Single bearing guide



Code: TS-SBG

Single guide

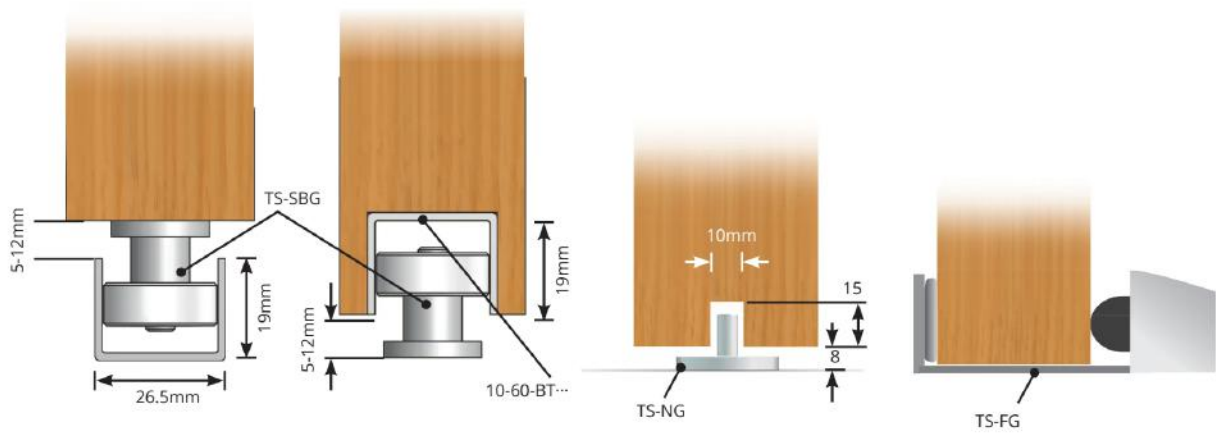


Code: TS-NG

Floor guide



Code: TS-FG
To suit doors between 30 & 60mm





Tommaslide 300

Straight sliding door system

Tommaslide 300 is a modern, top hung sliding door system that can be operated with an effortless touch, producing a consistent smooth operation throughout the product lifetime for panels weighing up to 300kg.

The Tommaslide 300 can be Soffit fixed to your door frame or Face fixed to the side of your wall. All Tommaslide rollers are tested to 100,000 cycles and come with a 10 year warranty.

- Maximum door panel weight: 300kg
- Minimum door thickness: 30mm



Maximum door panel weight of 300kg.



Top hung



Simple adjustment system



Full technical support



Soffit fixed or face fixed



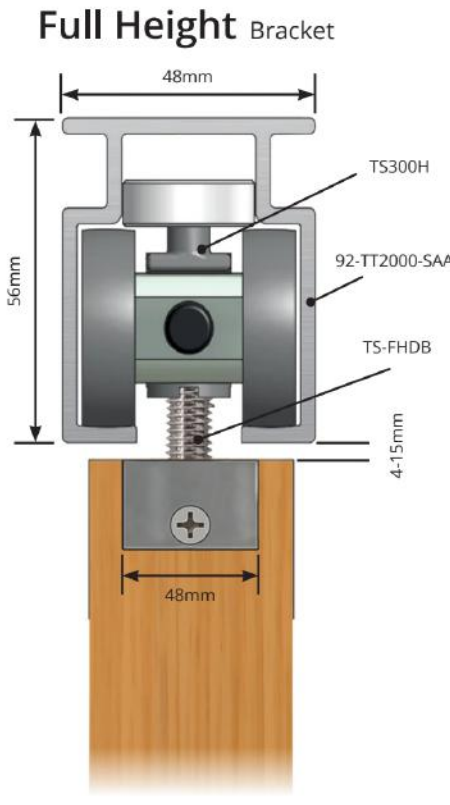
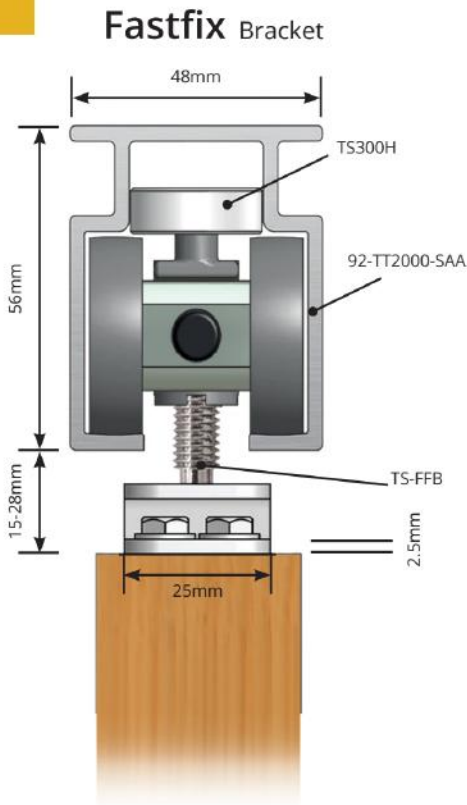
FastFix or Full Height brackets

10 Year warranty

On all Tommaslide rollers

48

Door bracket choices



Typical panel configurations



Contact for further information
01280 822288 | www.runners-uk.co.uk | sales@runners-sales.com

Fastfix Kit components - Code: TS300FFD

High impact door stop x 2



Code: TS300DS

4 Wheeled door hanger x 2



Code: TS300H

FastFix bracket x 2



Code: TS-FFB



Screws are included in kit - TS-FFB-SC | Spanner is also included - TS-SPAN-PRES

Full Height Kit components - Code: TS300FHD

High impact door stop x 2



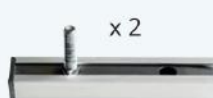
Code: TS300DS

4 Wheeled door hanger x 2

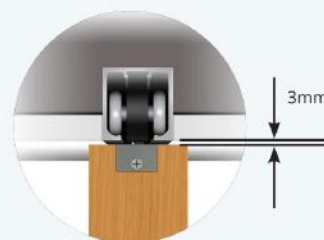


Code: TS300H

Full Height bracket x 2



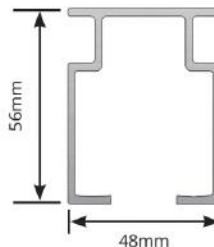
Code: TS-FHDB



Screws are included in kit - TS-FFB-SC | Spanner is also included - TS-SPAN-PRES

Top track Satin Aluminium

Length	Code
2 Metre	92-TT2000-SAA
3 Metre	92-TT3000-SAA
4 Metre	92-TT4000-SAA
6 Metre	92-TT6000-SAA



Face fixing



Single track fixing: TS200SB



Double track fixing: TSFFB

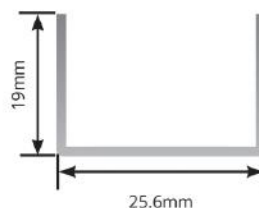
Face fixing bracket
Single and Double
(optional extra)



Soffit
fixing

Bottom track Satin Aluminium

Length	Code
2 Metre	10-60-BT2000-CA
3 Metre	10-60-BT3000-CA
4 Metre	10-60-BT4000-CA
6 Metre	10-60-BT6000-CA

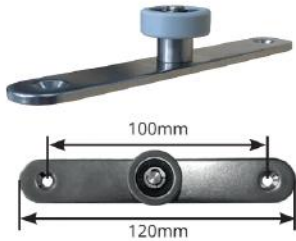


Contact for further information
01280 822288 | www.runners-uk.co.uk | sales@runners-sales.com

Tommaslide 300 specification

Bottom guides

Single bearing guide



Code: TS-SBG

Single guide



Code: TS-NG

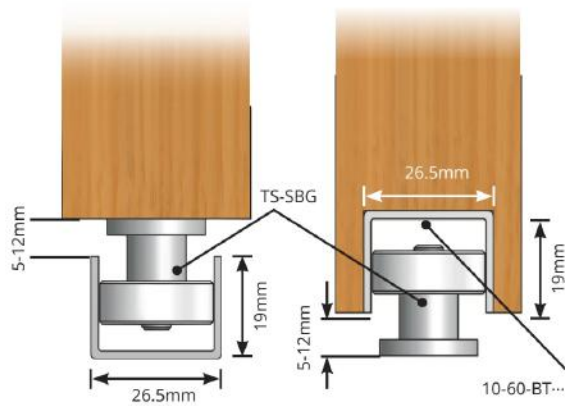
Floor guide



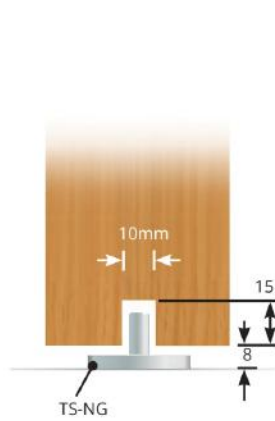
Code: TS-FG
To suit doors between 30 & 60mm

Bottom guide options

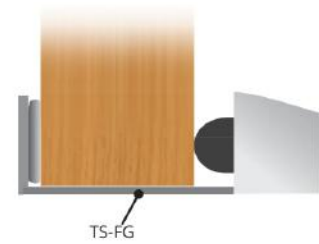
Single bearing guide



Single guide



Floor guide
To suit doors between 30 & 60mm



50



Contact for further information
01280 822288 | www.runners-uk.co.uk | sales@runners-sales.com





Invisible

Single sliding door system

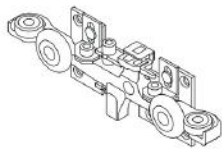
Astonishing. Cool. Chic. Invisible is all of this and more. It's stunningly concealed low profile mechanism and track make it an enigma at first sight.

With inbuilt soft close and full adjustability Invisible is a true revolution in sliding doors.

- kg**
Maximum door panel weight of 80kg.
- Top hung**
- Integrated soft close**
- Full technical support**
- Complete adjustment**
- Hides all sliding mechanisms**

Invisible Components

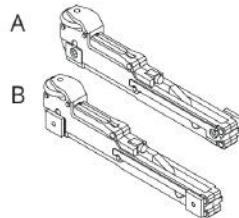
52



Adjustable upper roller



Lower guide



A) Soft closing stopper R-L (80kg)
B) Soft closing stopper R-L (40kg)



End cover



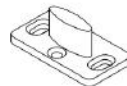
Pins



Upper profile



Lower profile



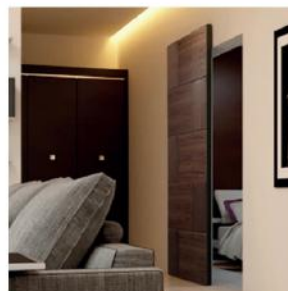
Lower runner



Fixing screws

Fitting kit includes: 1 x 1.15 metre steel track, 1 x four wheel nylon wall roller, 2 x soft close, 1 x nylon floor guide, 1 x aluminium bottom guide profile, 2 x bottom castors, 2 x end caps, fixing screws and wall plugs

Description	Code
40kg Invisible door system	1040X
80kg Invisible door system	1080X



Scan to view the video



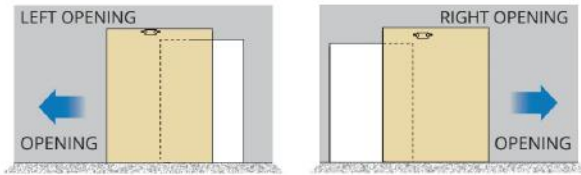
Contact for further information
01280 822288 | www.runners-uk.co.uk | sales@runners-sales.com



Specification

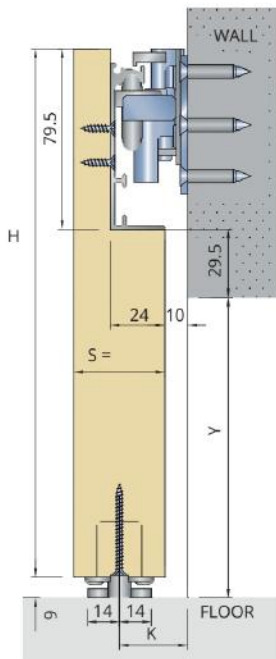
- Maximum door weight: 0 - 40kg, 40 - 80kg
- Minimum door thickness: 40mm
- Max door width: 1150mm (Track length)
- Door width = Door opening width + 253mm
- Door height = Door opening height + 100mm
- Max door opening width: 900mm

Directional openings



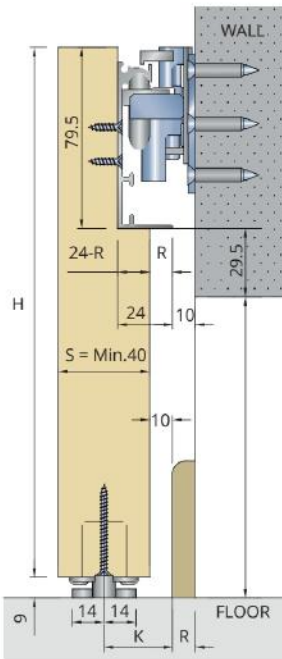
Fitting positions

Wall fitting positioning without skirting

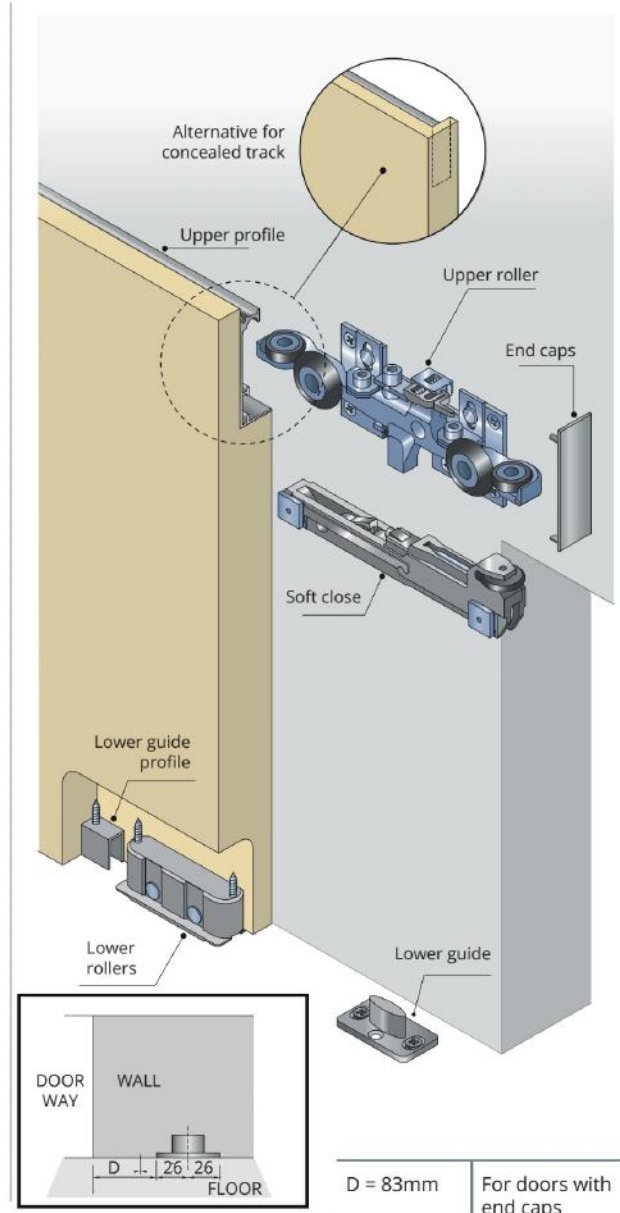


H =	Y + 100
-----	---------

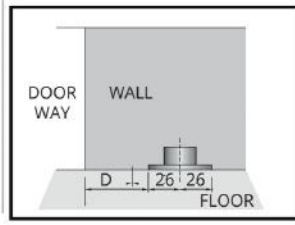
Wall fitting positioning with skirting



R =	Skirting board thickness
-----	--------------------------



53



D = 83mm	For doors with end caps
D = 91.5mm	For doors with concealed track



Contact for further information
01280 822288 | www.runners-uk.co.uk | sales@runners-sales.com




Glide Pocket Door

Single and double sliding door system

Our Glide Pocket Door kit is a cost effective, innovative sliding solution, which creates more usable space than traditional hinged doors.

Completely adjustable, smooth rolling and easy to install; it's the perfect solution to your Pocket Door needs.



Maximum door panel weight of 90kg.



Top hung



Adjustable sliding system



Full technical support



Complete adjustment



Suitable for a range of materials

Glide Pocket Door Components



Timber header



Door hangers



Rubber buffer



Support studs



Stud Foot brackets



Pair door guides



Spanner



Fixing screws



Joint kit
For double pocket doors

Optional accessories

(Timber only)



Push to close buffer



Soft close
80kg capacity



Glass door bracket

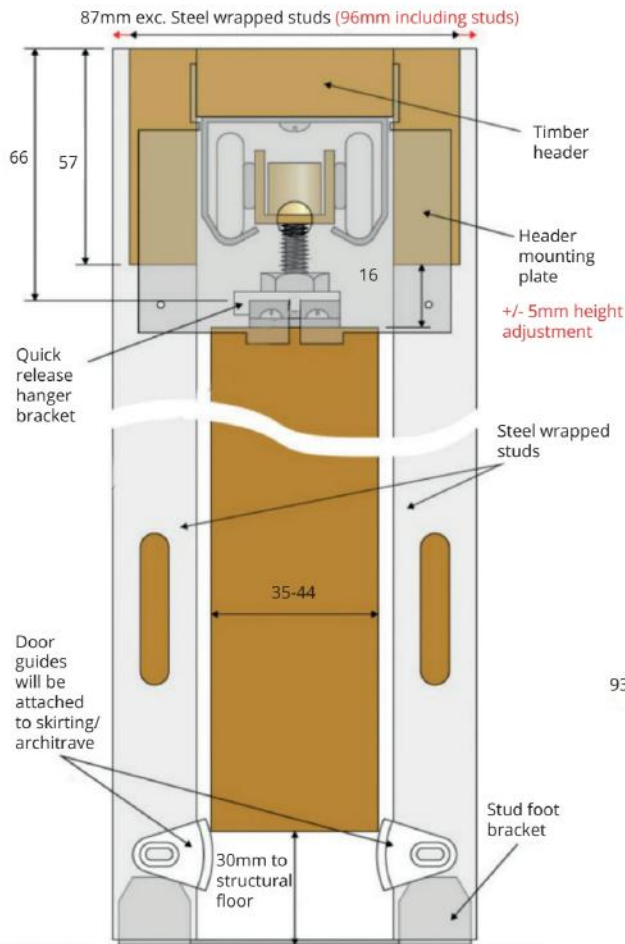
Description	Code
Single door - Glide pocket door kit 1 max door 915mm x 2032mm 90kg capacity (includes: 6 x support studs, 1 x timber header, 3 x stud foot brackets, 1 x pair of door hangers, 1 x pair door guides & screws, 1 x rubber buffer, 1 x spanner and 30 x fixing screws)	Glide1
Single door - Glide pocket door kit 2 max door 1200mm x 2400mm 90kg capacity (includes: 6x support studs, 1 x timber header, 3 x stud foot brackets, 1 x pair of door hangers, 1 x pair door guides & screws, 1 x rubber buffer, 1 x spanner and 30 x fixing screws)	Glide2
Double door - 2 x Glide pocket door kit 1 max door 915mm x 2032mm 90kg capacity and 1x joint kit	GLIDEDOUBLE1
Double door - 2 x Glide pocket door kit 2 max door 1200mm x 2400mm 90kg capacity and 1x joint kit	GLIDEDOUBLE2
Push to open buffer	PDPL
Glide pocket door soft close (80kg capacity)	GlideSC80
Glass door bracket	PDGDK



Contact for further information
01280 822288 | www.runners-uk.co.uk | sales@runners-sales.com

Specification	
Glide 1	Glide 2
Maximum door panel weight: 90kg	Maximum door panel weight: 90kg
Door width: 608mm - 915mm	Door width: 608mm - 1200mm
Maximum door height: 2032mm	Maximum door height: 2400mm
Door thickness: 35mm - 44mm	Door thickness: 35mm - 44mm

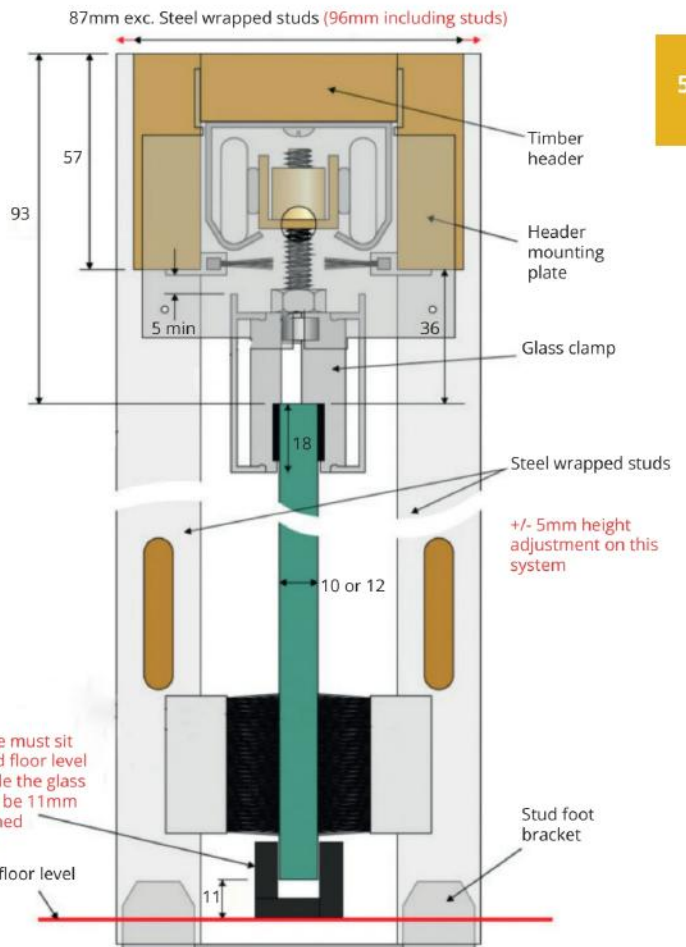
Timber door details



Full kit contents



Glass door details



55



Contact for further information
01280 822288 | www.runners-uk.co.uk | sales@runners-sales.com



Valto Pocket Door

Single and double sliding door system

Our Valto Pocket Door kit is a heavy-duty, space-saving solution designed for strength, smooth operation, and easy installation.

Adjustable kit suitable for door width from 608 - 905mm.

With reinforced steel uprights, anti-jump ball bearing rollers, and a quick-release system for easy door removal, Valto delivers reliable performance with minimal effort.



Valto Pocket Door Components

56



Panel system



Softclose door hanger



Spanner



Door hanger



Pair of door guides



Fixing screws

Optional accessories



Double door fixing



Scan to view the video

Description	Code
Single door - Valto pocket door kit 1 max door 915mm x 2032mm 100kg capacity (includes: 1 x softclose, 1 x panel system, 1 x pair of door hangers, 1 x pair door guides & screws, 1 x rubber buffer, 1 x spanner, 1x allen key and 21 x fixing screws)	VALTO1
Double door connector	VDDC



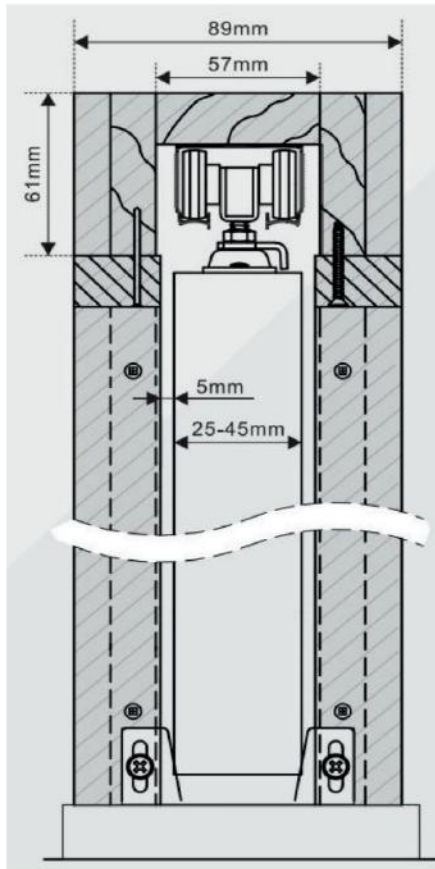
Contact for further information
01280 822288 | www.runners-uk.co.uk | sales@runners-sales.com



Specification

- Maximum door weight: 100kg
- Door width = 608mm - 915mm
- Maximum door height = 2033mm
- Door thickness: 25mm - 45mm
- Complete with softclose

Timber door details

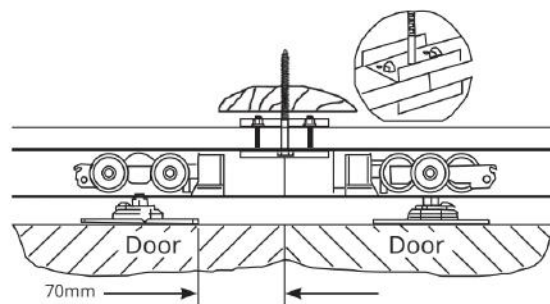


Double door details

(order x 2 single kits + Double door connector)



57



Contact for further information
 01280 822288 | www.runners-uk.co.uk | sales@runners-sales.com



Evo Pocket Door Kit

Single or double sliding door system

The Evo Pocket door system suits both 100 and 125mm walls. It is completely adjustable, smooth rolling and can create additional space in any room.

The Evo kit sub frame for plasterboard walls offers great advantage: convenience, simplified maintenance. The Evo is to be finished using architrave around the door frame.

- Maximum door panel weight of 120kg.
- Featuring high quality components
- Guaranteed up to 100,000 cycles
- Full technical support
- Optional soft close
- Smooth sliding action when operating

Evo Pocket Door Kit components

58



Easy to construct hot-dip galvanised slat panel frame



Door roller kit



Door guide



Door stop



Rubber stopper

Optional accessories



Soft close



1m Under guide



Push to open buffer

Push to open buffer to be installed at the rear of the pocket door to aid the closing of the door with its spring pistons.

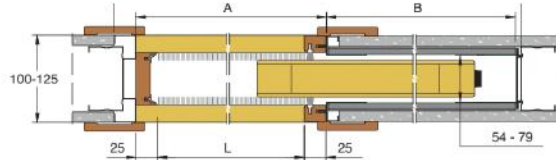


Contact for further information
01280 822288 | www.runners-uk.co.uk | sales@runners-sales.com

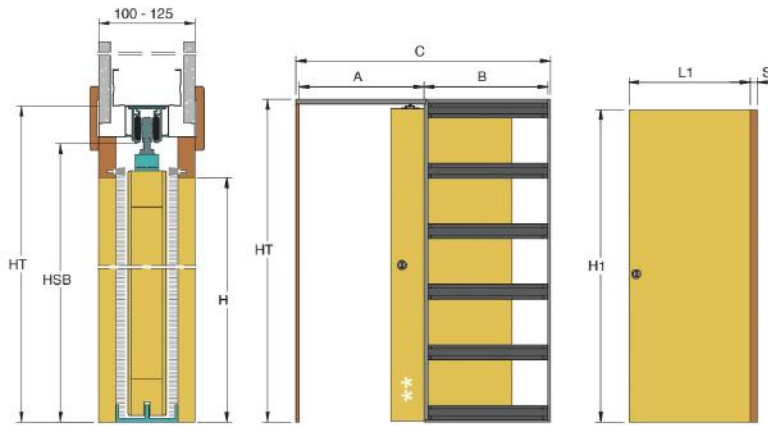


Specification

- Kits come with both 100mm and 125mm wall fittings
- Easy to construct hot-dip galvanised frame
- Material quality DX51Z100 with 0.7mm metal stud thickness
- 10 Micron anodized AW6060 aluminium track
- 120Kg Trolleys guaranteed for: 100,000 cycles



* * The panel fully enters the wall cavity. For safety reasons please keep the door out of the pocket up to the handle.



Accessories

Description	Code
100mm timber jamb kit	PDJ100
125mm timber jamb kit	PDJ125
Soft closing kit max 40kg	PDSECKS
Self closing kit max 50kg	PDSEKES
Glass doors conversion Kit	PDGDK
1m Under guide	PDGPP
Push to open buffer	PDPL

59

Single door system

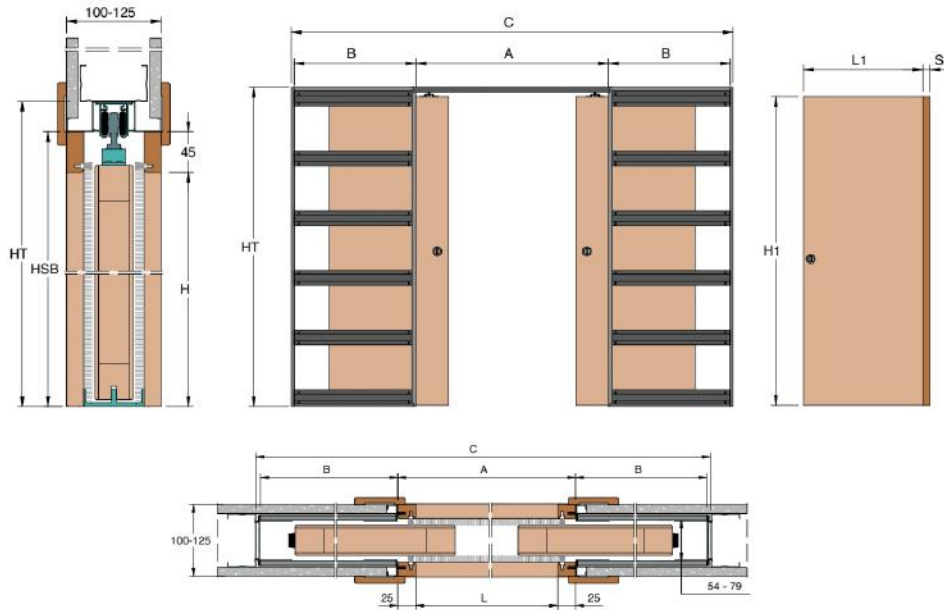
	Code	Opening L x H	Door L1xH1	L	B	C	HT
100 Wall thickness	PSD100-6101981	580 x 1970	610 x 1981	580	620	1290	2060
	PSD100-6861981	660 x 1970	686 x 1981	660	700	1470	2060
	PSD100-7621981	740 x 1970	762 x 1981	740	780	1650	2060
	PSD100-8381981	810 x 1970	838 x 1981	810	850	1720	2060
	PSD100-7262040	700 x 2030	726 x 2040	700	740	1510	2120
	PSD100-8262040	800 x 2030	826 x 2040	800	840	1710	2120
	PSD100-9262040	900 x 2030	926 x 2040	900	940	1910	2120
125 Wall thickness	PSD125-6101981	580 x 1970	610 x 1981	580	620	1290	2060
	PSD125-6861981	660 x 1970	686 x 1981	660	700	1470	2060
	PSD125-7621981	740 x 1970	762 x 1981	740	780	1650	2060
	PSD125-8381981	810 x 1970	838 x 1981	810	850	1720	2060
	PSD125-7262040	700 x 2030	726 x 2040	700	740	1510	2120
	PSD125-8262040	800 x 2030	826 x 2040	800	840	1710	2120
	PSD100-9262040	900 x 2030	926 x 2040	900	940	1910	2120



Contact for further information
01280 822288 | www.runners-uk.co.uk | sales@runners-sales.com

Evo Pocket Door Specification

The Evo double pocket door kit is made up from two single pocket door kits joined together in the middle with the joint kit.



Double door system

60

	Code	Opening L x H	Door L1xH1	L	B	C	HT
100 Wall thickness	PDD100-12201981	1160 x 1970	610 x 1981	1160	620	2580	2060
	PDD100-13721981	1320 x 1970	686 x 1981	1320	700	2940	2060
	PDD100-15241981	1480 x 1970	762 x 1981	1480	780	3300	2060
	PDD100-16761981	1620 x 1970	838 x 1981	1620	850	3440	2060
	PDD100-14522040	1400 x 2030	726 x 2040	1400	740	3020	2120
	PDD100-16522040	1600 x 2030	826 x 2040	1600	840	3420	2120
	PDD100-18522040	1800 x 2030	926 x 2040	1800	940	3820	2120
125 Wall thickness	PDD125-12201981	1160 x 1970	610 x 1981	1160	620	2580	2060
	PDD125-13721981	1320 x 1970	686 x 1981	1320	700	2940	2060
	PDD125-15241981	1480 x 1970	762 x 1981	1480	780	3300	2060
	PDD125-16761981	1620 x 1970	838 x 1981	1620	850	3440	2060
	PDD125-14522040	1400 x 2030	726 x 2040	1400	740	3020	2120
	PDD125-16522040	1600 x 2030	826 x 2040	1600	840	3420	2120
	PDD125-16522040	1800 x 2030	926 x 2040	1800	940	3820	2120

Accessories

Description	Code
Simultaneous Opening Kit	PDSOK
100mm Timber Jamb Kit c/w Brushes & Seals	PDDJ100
125mm Timber Jamb Kit c/w Brushes & Seals	PDDJ125



Contact for further information
01280 822288 | www.runners-uk.co.uk | sales@runners-sales.com



61



Absolute Evo Pocket Door Kit

Flush single sliding door system

The Absolute Evo is a premium flush pocket door system. Designed for contemporary interiors it incorporates a plaster edge to plaster to. Eliminating the need for timber jambs and architrave.

Pocket sliding door system for single & double doors to suit 100mm walls. The Absolute Evo is completely adjustable, smooth rolling and easy to install.



Maximum door panel weight of 120kg.



Featuring high quality components



Full technical support



Optional soft close



Smooth gliding action when operating



Easy to fit

Absolute Evo Pocket Door Kit components

62



Easy to construct hot-dip galvanized slat panel frame



Door Roller Kit



Door stop



Pins



Fixing screws



Door guide



Rubber buffer

Optional accessories



Soft close



Push to close buffer

Push to Close Buffer to be installed at the rear of the pocket door to aid the closing of the door with its spring pistons.

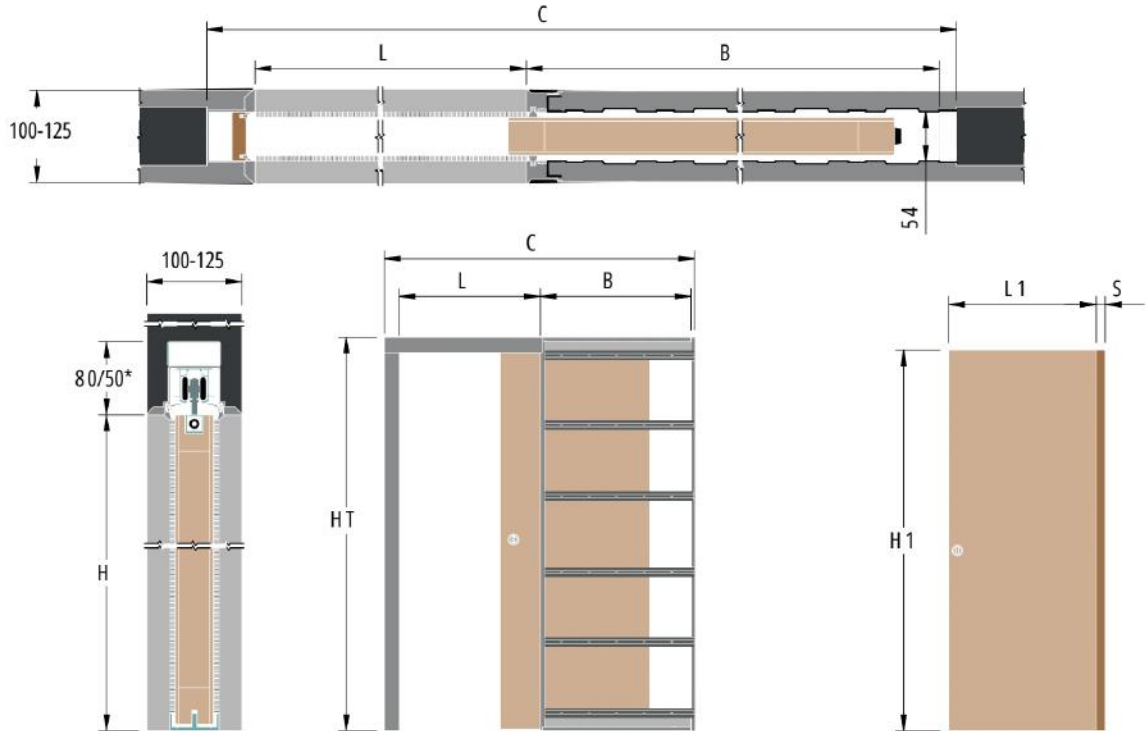
Description	Code
Soft closing kit	PDSCKF
1m Under guide profile 12 x 16mm	PDGP
Push to open buffer	PDPL



Contact for further information
01280 822288 | www.runners-uk.co.uk | sales@runners-sales.com



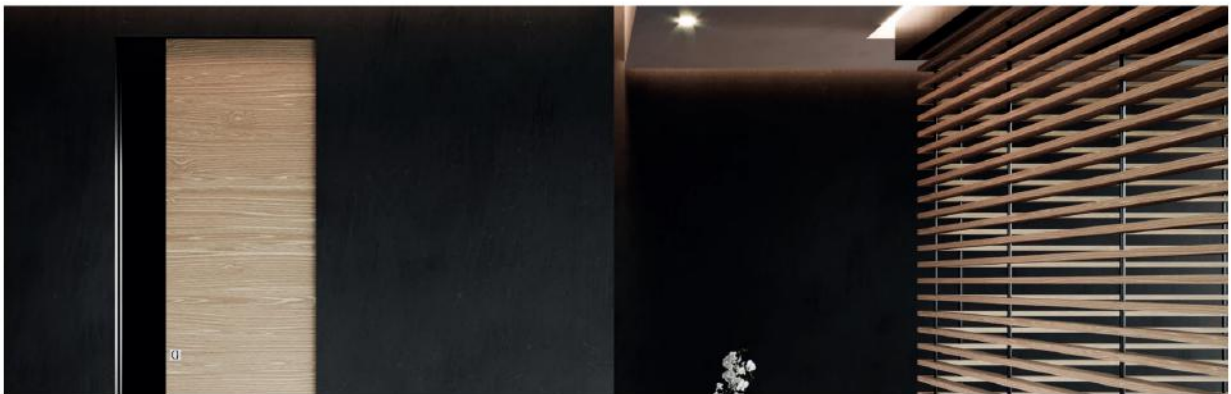
No jambs, no casings, the Absolute Evo features an elegantly modern design. The system is composed of a sub-frame for plasterboard walls without architrave, which integrates perfectly into the wall, making it the ideal choice for those who want minimalist style.



63

Single door system

Code	Opening L x H	Door L1xH1	L	B	C	HT
PDF6101981	580 x 1990	610 x 1981	610	650	1300	2050
PDF7621981	660 x 1990	686 x 1981	686	776	1480	2060
PDF7621981	740 x 1990	762 x 1981	762	802	1660	2060
PDF8381981	810 x 1990	838 x 1981	838	878	1730	2060
PDF7622040	700 x 2050	726 x 2040	726	766	1520	2110
PDF8262040	800 x 2050	826 x 2040	826	866	1720	2110
PDF9262040	900 x 2050	926 x 2040	926	966	1920	2110



Contact for further information
 01280 822288 | www.runners-uk.co.uk | sales@runners-sales.com



Tommafold Interior

Folding door system



Suitable for doors up to 60kg.



Featuring high quality components



Full technical support



Max panel height 3.0m



Suitable for multiple wooden panels



Minimum panel thickness 30mm

Tommafold Interior has a compact top track and a 60kg weight capacity per panel. The hanger tyres are made of polymer for quiet and smooth movement.

Tommafold Interior is ideal used in homes, offices and hotels to create room divides that are simple to install and easy to use. The stylish set of hinges and handle are available in a satin stainless finish.


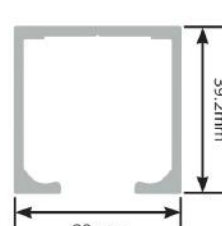
Tommafold Interior is not only used by house builders, but also specified by architects planning for large scale commercial and residential fit outs.

- Top hung bi-folding door system
- Suited to interior applications
- Smooth rolling polymer tyres tested to 100,000 cycles - 10 year Roller Warranty
- Hinges tested to 200,000 cycles
- Max door weight with bottom track: 60kg
- Max door weight without bottom track: 40kg
- Max door height: 3000mm

64

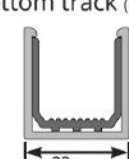
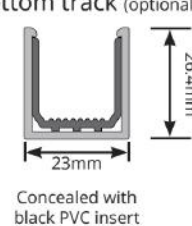
Tommafold Interior Components

Aluminium top track

Length	Code
2 Metre	60-TT2000-SAA
3 Metre	60-TT3000-SAA
4 Metre	60-TT4000-SAA
6 Metre	60-TT6000-SAA


Bottom track (optional)

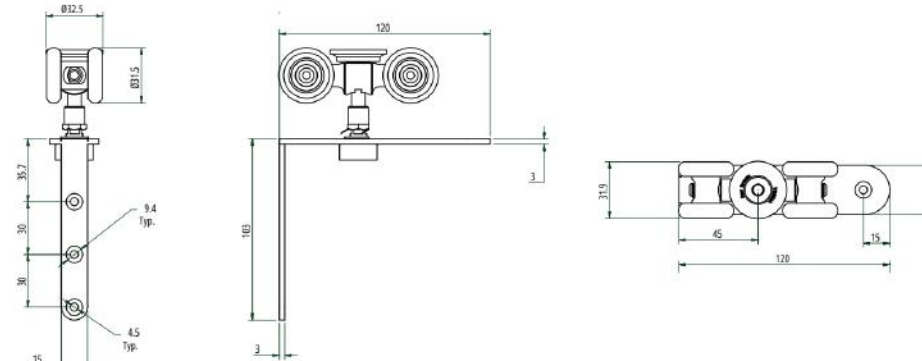
Concealed with black PVC insert

Length	Code
2 Metre	62-BT2000-SAA
3 Metre	62-BT3000-SAA
4 Metre	62-BT4000-SAA
6 Metre	62-BT6000-SAA

4 Wheel hanger



Machined polymer tyres with zinc plated bracket and adjusting mechanism
10-69-460-TW



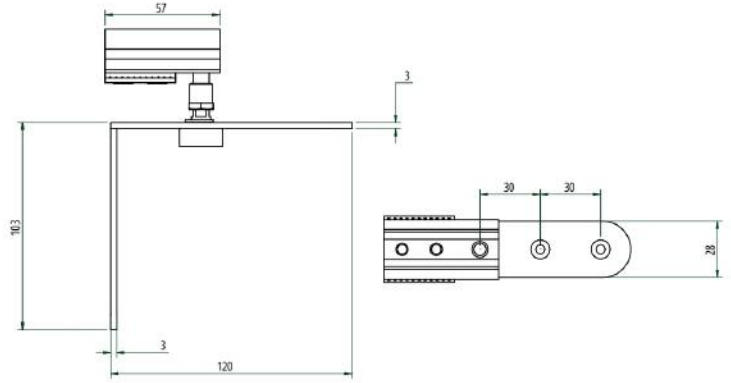
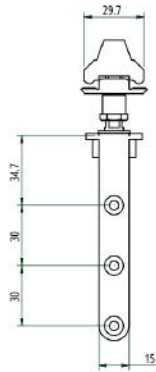


Contact for further information
01280 822288 | www.runners-uk.co.uk | sales@runners-sales.com

Top pivot



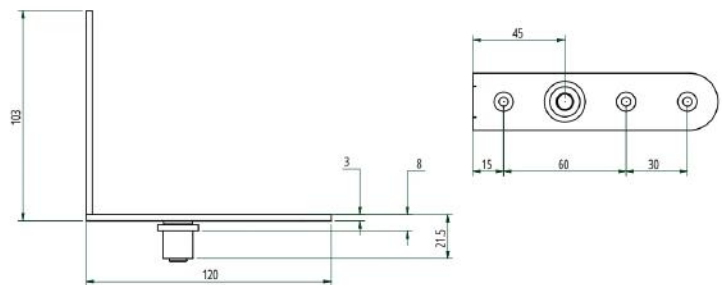
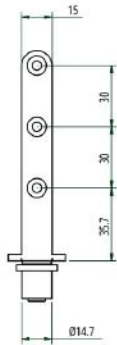
Pivot block with zinc plated bracket and adjusting pivot mechanism
10-69-100-TP



Bottom pivot



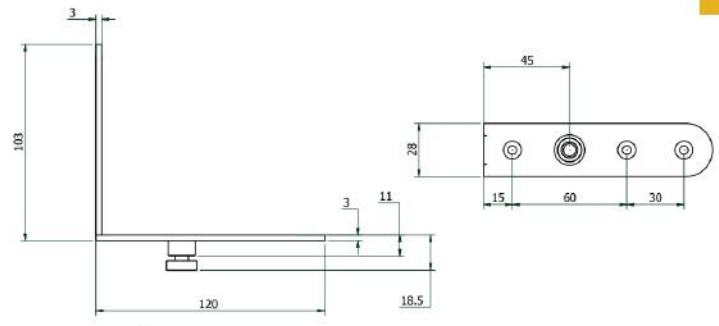
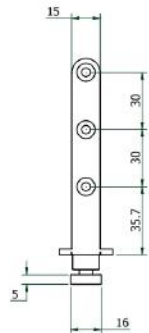
Zinc plated bracket and plastic bush for bottom mounting recess location
10-69-100-RBP



Bottom guide (optional)



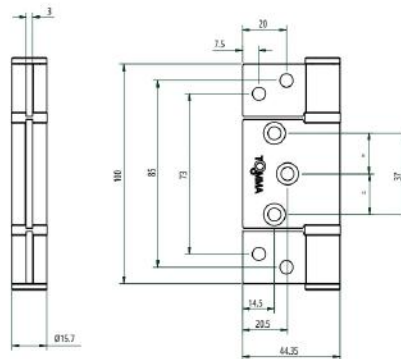
Zinc plated bracket and precision bearing guide wheel
10-69-100-BG



65

Hinge set without handle

Part No.	Size	Finish
60-300-SS	200mm	Satin Stainless

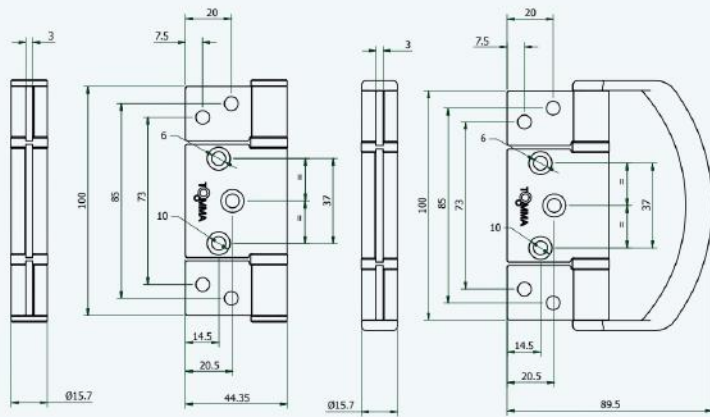


Contact for further information
01280 822288 | www.runners-uk.co.uk | sales@runners-sales.com

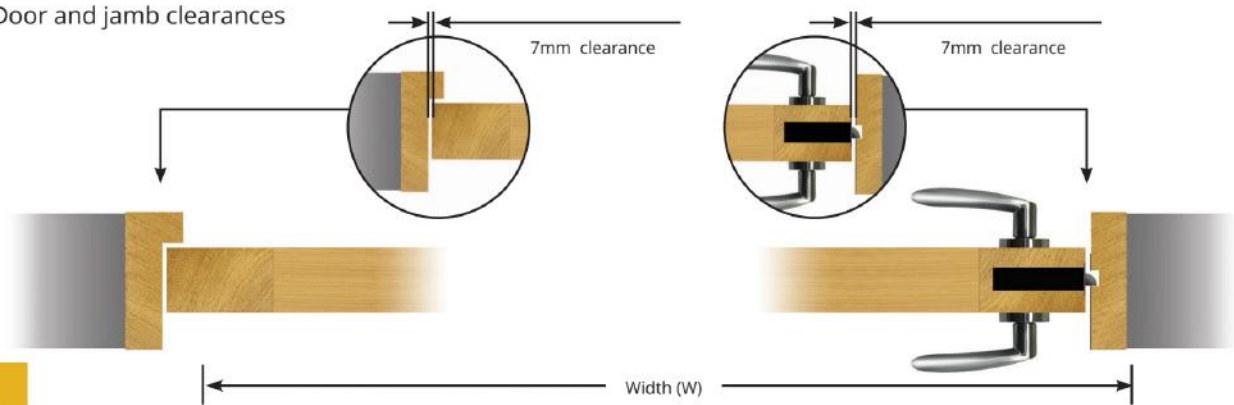
Tommafold Interior specification

Hinge set with handle

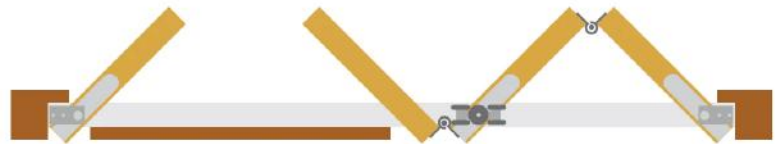
Part No.	Size	Finish
60-320-SS	200mm	Satin Stainless



Door and jamb clearances



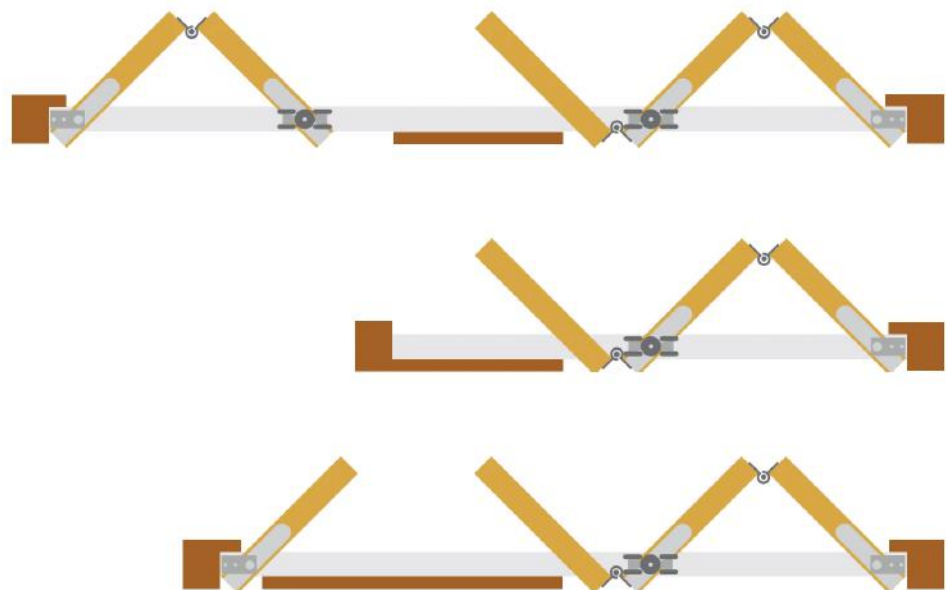
66



Fitting a stop

(Typical layouts)

Due to outswing when sliding the doors open, a door stop cannot be fitted along the entire length of the frame head.



Contact for further information
01280 822288 | www.runners-uk.co.uk | sales@runners-sales.com



Slide & Stack

Multidirectional top hung sliding system

Slide & Stack is a versatile multidirectional top hung sliding system with stacking options that allow each panel to be stored away from the opening.

The versatility of Slide & Stack makes it perfect for creating room dividers, meeting rooms and quiet zones.

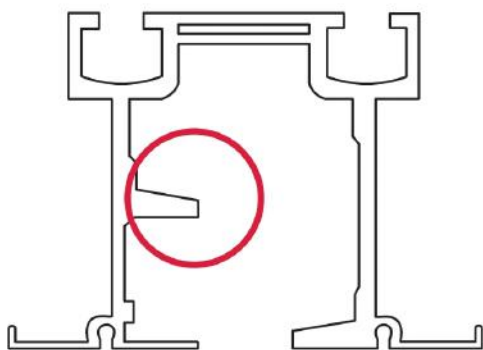
- Suitable for panels weighing up to 150kg
- Featuring high quality components
- Full technical support
- Tailored to fit your needs
- Panels can be stored away neatly
- Helps to divide areas quickly and easily

Slide & Stack Components

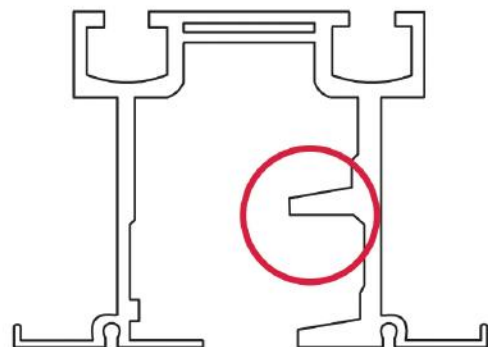
68

The handing of the system is determined by the flange position circled in the diagrams below:

Left hand



Right hand



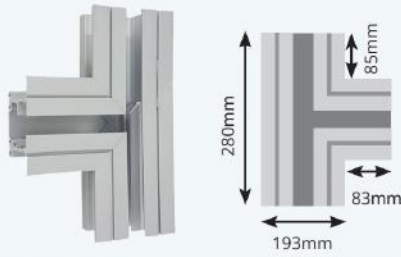
Contact for further information
01280 822288 | www.runners-uk.co.uk | sales@runners-sales.com

Slide & Stack components

T Junctions

Left
Code:
141015

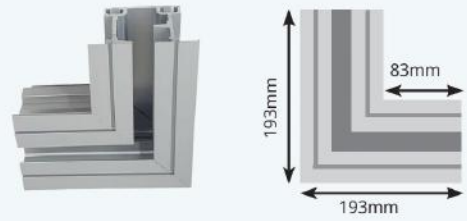
Right
Code:
141013



L Junctions

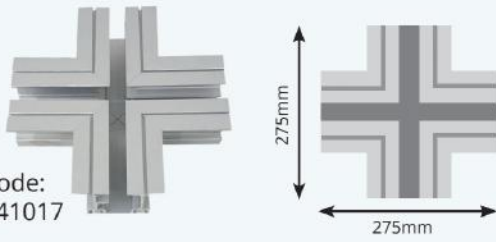
Left
Code:
141011

Right
Code:
141009



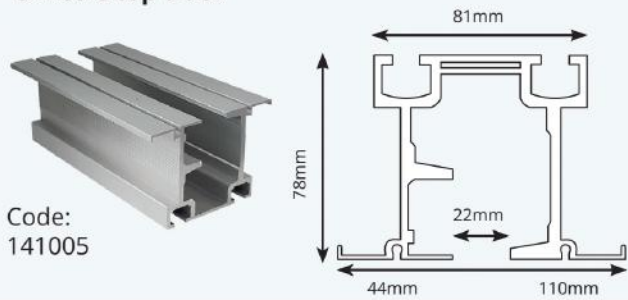
4-Way junction

Code:
141017



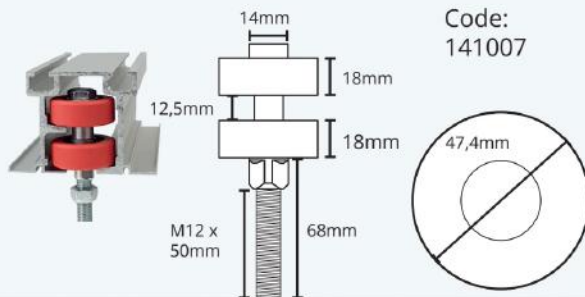
3 Metre top track

Code:
141005



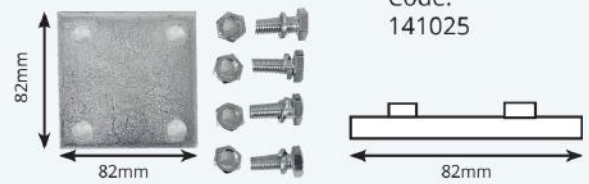
Double roller M12 x 50mm thread

Code:
141007



Bolt-on joining plate

Code:
141025



69

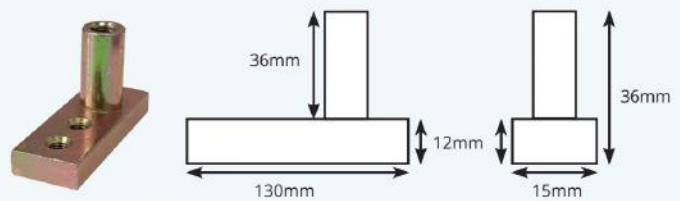
Entrance track adaptor

Code:
141019



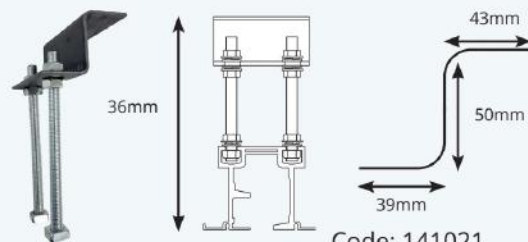
Double roller bracket

Code: 141026



Track bracket M12 x 149mm long studs

Code: 141021



Track/junction alignment pin

Code: 141023

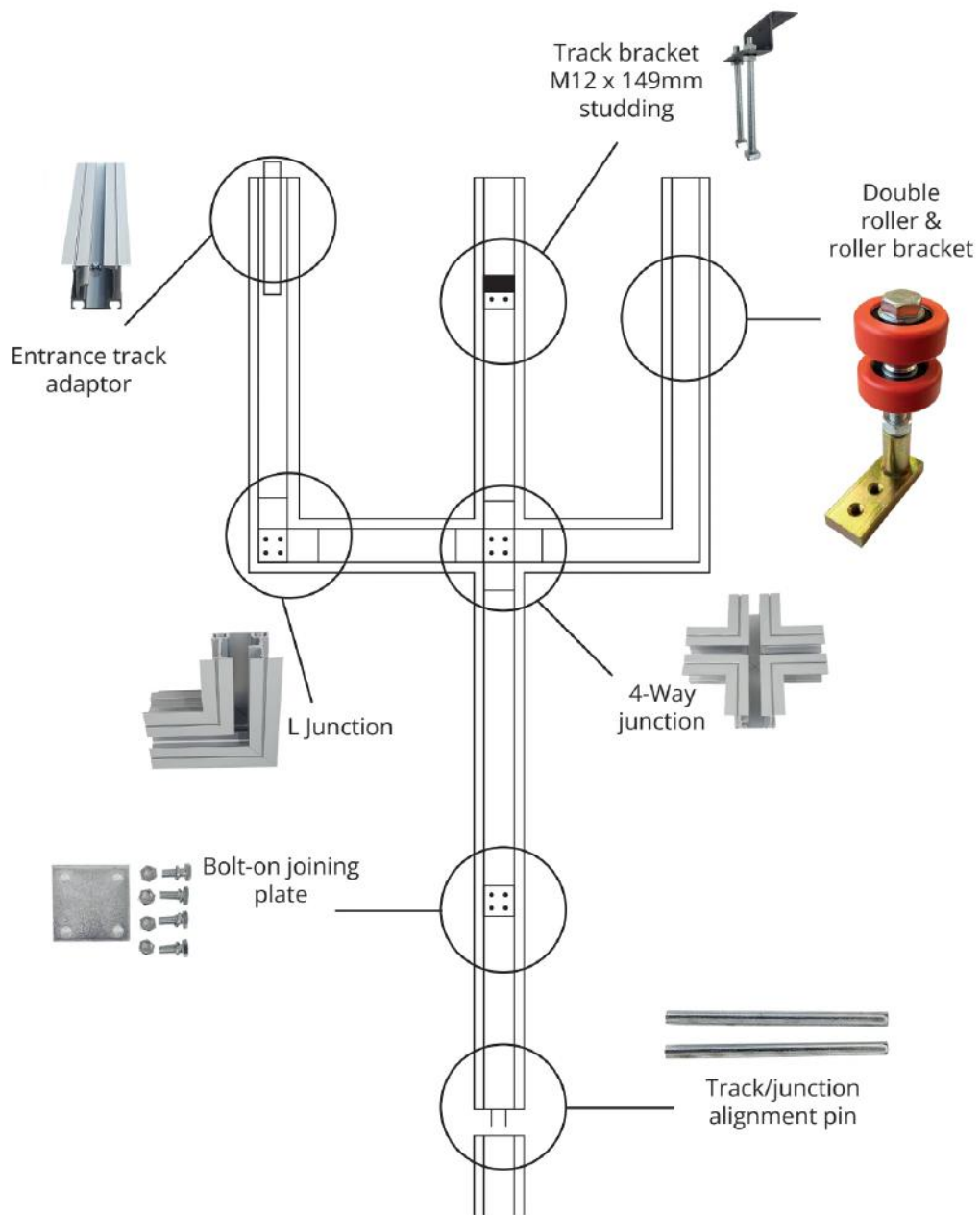


Contact for further information
01280 822288 | www.runners-uk.co.uk | sales@runners-sales.com

Slide & Stack



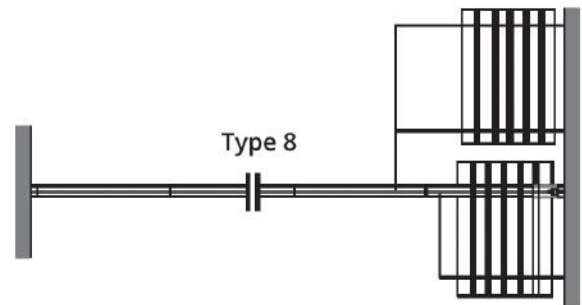
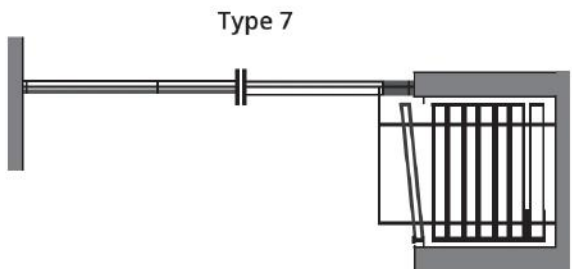
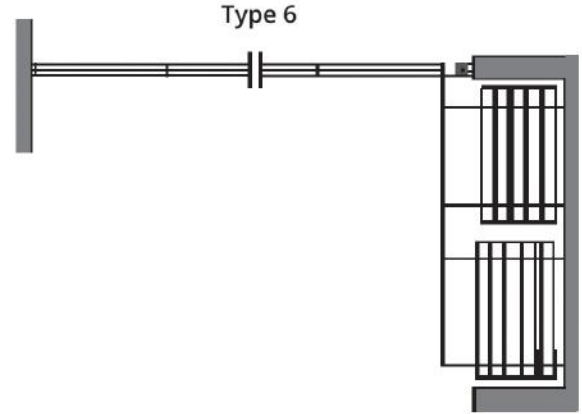
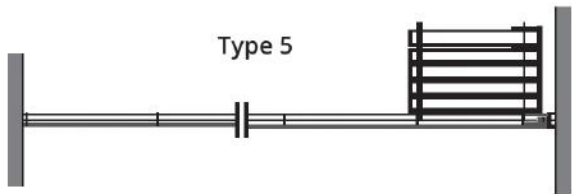
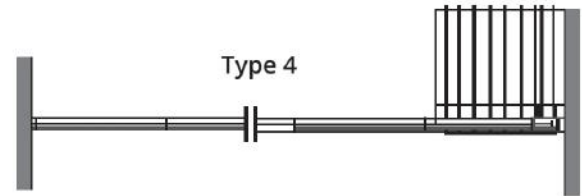
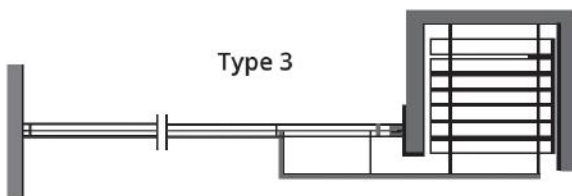
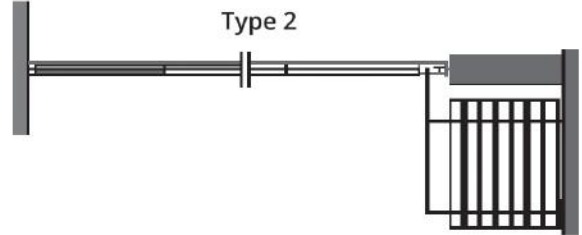
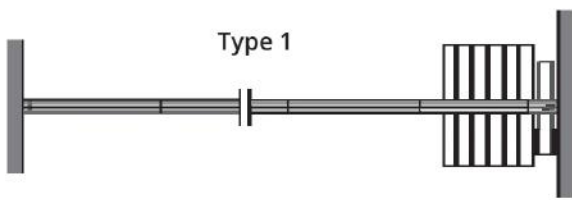
70



Contact for further information
 01280 822288 | www.runners-uk.co.uk | sales@runners-sales.com

Configurations

Slide & Stack is suited to many applications, here are some layout examples showing how it can be used.

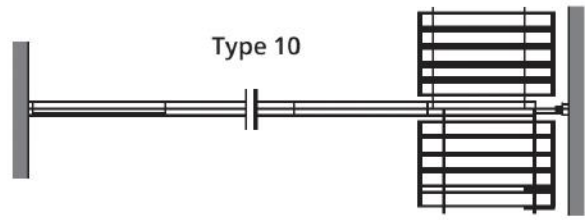
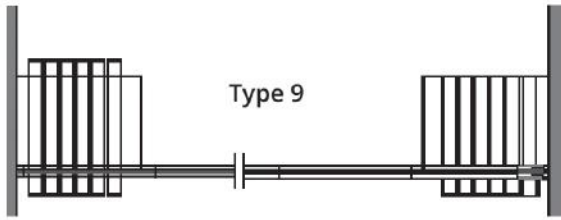


71

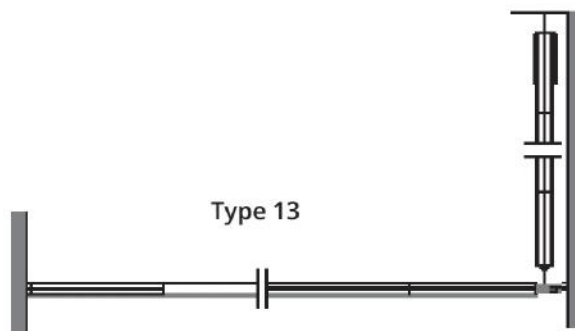
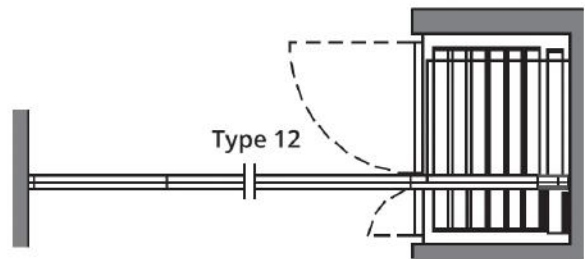
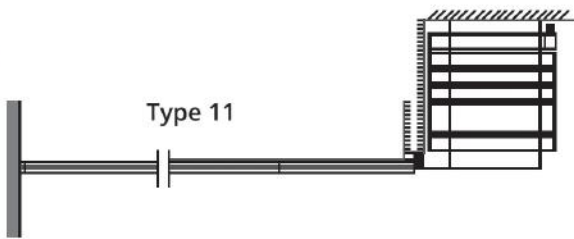


Contact for further information
01280 822288 | www.runners-uk.co.uk | sales@runners-sales.com

Slide & Stack configurations



72





Sliding System Accessories



Recessed Door Handles

Additional accessories

Square flush pull 63 x 63mm



Matt Bronze



Antique Brass



Satin Nickel

Finish	Code
Antique Brass	CFR580
Matt Bronze	CFR581
Polished Brass	CFR582
Polished Chrome	CFR583

Finish	Code
Polished Nickel Finish	CFR584
Satin Brass	CFR585
Satin Chrome	CFR586
Satin Nickel	CFR587

73

Flush pull 197mm



Matt Black



Antique Brass



Satin Brass



Polished Chrome

Finish	Code
Antique Brass	CFR612
Matt Black	CFR613
Matt Bronze	CFR614
Polished Brass	CFR615

Finish	Code
Polished Chrome	CFR616
Satin Brass	CFR617
Satin Chrome	CFR618
Satin Nickel	CFR619



Contact for further information
01280 822288 | www.runners-uk.co.uk | sales@runners-sales.com

Recessed Door Handles

Additional accessories

Round flush pull



Finish	Code	Finish	Code
Antique Brass	CFR524	Polished Nickel Finish	CFR528
Matt Bronze	CFR525	Satin Brass	CFR529
Polished Brass	CFR526	Satin Chrome	CFR530
Polished Chrome	CFR527	Satin Nickel	CFR531

Pocket door edge pull



74

Finish	Code	Finish	Code
Antique Brass	CFR500	Polished Nickel Finish	CFR504
Matt Bronze	CFR501	Satin Brass	CFR505
Polished Brass	CFR502	Satin Chrome	CFR506
Polished Chrome	CFR503	Satin Nickel	CFR507



Contact for further information
 01280 822288 | www.runners-uk.co.uk | sales@runners-sales.com

Recessed Door Handles

Additional accessories

Round half moon flush pull



Antique Brass

Matt Bronze

Satin Brass

Polished Chrome

Finish	Code
Antique Brass	CFR540
Matt Bronze	CFR541
Polished Brass	CFR542
Polished Chrome	CFR543

Finish	Code
Polished Nickel	CFR544
Satin Brass	CFR545
Satin Chrome	CFR546
Satin Nickel	CFR547

75

Round reeded flush pull



Satin Chrome

Polished Brass

Polished Nickel Finish

Satin Nickel

Finish	Code
Antique Brass	CFR532
Matt Bronze	CFR533
Polished Brass	CFR534
Polished Chrome	CFR535

Finish	Code
Polished Nickel Finish	CFR536
Satin Brass	CFR537
Satin Chrome	CFR538
Satin Nickel	CFR539



Contact for further information
01280 822288 | www.runners-uk.co.uk | sales@runners-sales.com

Recessed Door Handles

Additional accessories

Rectangular flush pull 105 x 58mm



Antique Brass



Polished Brass



Matt Bronze



Satin Chrome

Finish	Code
Antique Brass	CFR556
Matt Bronze	CFR557
Polished Brass	CFR558
Polished Chrome	CFR559

Finish	Code
Polished Nickel Finish	CFR560
Satin Brass	CFR561
Satin Chrome	CFR562
Satin Nickel	CFR563

Reeded rectangular flush pull 175 x 58mm



Polished Brass



Satin Brass



Antique Brass



Polished Nickel Finish

Finish	Code
Antique Brass	CFR588
Matt Bronze	CFR589
Polished Brass	CFR590
Polished Chrome	CFR591

Finish	Code
Polished Nickel Finish	CFR592
Satin Brass	CFR593
Satin Chrome	CFR594
Satin Nickel	CFR595

76

Recessed Door Handles

Additional accessories

Reeded rectangular flush pull 300 x 58mm



Polished Chrome



Antique Brass



Polished Brass



Satin Chrome

Finish	Code
Antique Brass	CFR604
Matt Bronze	CFR605
Polished Brass	CFR606
Polished Chrome	CFR607

Finish	Code
Polished Nickel Finish	CFR608
Satin Brass	CFR609
Satin Chrome	CFR610
Satin Nickel	CFR611

77

Rectangular flush pull 175 x 58m



Matt Bronze



Antique Brass



Satin Brass



Polished Chrome

Finish	Code
Antique Brass	CFR564
Matt Bronze	CFR565
Polished Brass	CFR566
Polished Chrome	CFR567

Finish	Code
Polished Nickel Finish	CFR568
Satin Brass	CFR569
Satin Chrome	CFR570
Satin Nickel	CFR571



Contact for further information
01280 822288 | www.runners-uk.co.uk | sales@runners-sales.com

Recessed Door Handles

Additional accessories

Flush pull handle 101.6mm (4")



Antique Brass



Matt Bronze



Satin Chrome

Finish	Code	Finish	Code
Antique Brass	CFR508	Polished Nickel Finish	CFR512
Matt Bronze	CFR509	Satin Brass	CFR513
Polished Brass	CFR510	Satin Chrome	CFR514
Polished Chrome	CFR511	Satin Nickel	CFR515

SLD round flush pull pair



Polished Brass



Satin Chrome



Black Matt

Finish	Code	Finish	Code
Antique Brass	CFR643	Polished Chrome	CFR647
Black Matt	CFR644	Satin Brass	CFR648
Matt Bronze	CFR645	Satin Chrome	CFR649
Polished Brass	CFR646	Satin Nickel	CFR650

78

Recessed Door Handles

Additional accessories

SLD pull ring



Satin Brass



Antique Brass



Polished Chrome

Finish	Code	Finish	Code
Antique Brass	CFR651	Polished Chrome	CFR655
Black Matt	CFR652	Satin Brass	CFR656
Matt Bronze	CFR653	Satin Chrome	CFR657
Polished Brass	CFR654	Satin Nickel	CFR658

79

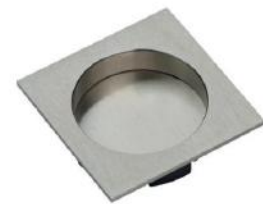
SLD square flush pull pair



Antique Brass



Polished Brass



Satin Nickel

Finish	Code	Finish	Code
Antique Brass	CFR675	Polished Chrome	CFR679
Black Matt	CFR676	Satin Brass	CFR680
Matt Bronze	CFR677	Satin Chrome	CFR681
Polished Brass	CFR678	Satin Nickel	CFR682



Contact for further information
01280 822288 | www.runners-uk.co.uk | sales@runners-sales.com

Recessed Door Handles

Additional accessories

Flush pull handle 105mm



Satin Chrome



Antique Brass



Satin Nickel

Finish	Code	Finish	Code
Antique Brass	CFR548	Polished Nickel Finish	CFR552
Matt Bronze	CFR549	Satin Brass	CFR553
Polished Brass	CFR550	Satin Chrome	CFR554
Polished Chrome	CFR551	Satin Nickel	CFR555

Flush pull handle 152mm (6")

80



Matt Bronze



Satin Brass



Polished Chrome

Finish	Code	Finish	Code
Antique Brass	CFR516	Polished Nickel Finish	CFR520
Matt Bronze	CFR517	Satin Brass	CFR521
Polished Brass	CFR518	Satin Chrome	CFR522
Polished Chrome	CFR519	Satin Nickel	CFR523



Contact for further information
01280 822288 | www.runners-uk.co.uk | sales@runners-sales.com

Recessed Door Handles

Additional accessories

Reeded rectangular flush pull 105 x 58mm



Matt Bronze



Polished Nickel Finish



Satin Brass

Finish	Code	Finish	Code
Antique Brass	CFR588	Polished Nickel Finish	CFR592
Matt Bronze	CFR589	Satin Brass	CFR593
Polished Brass	CFR690	Satin Chrome	CFR594
Polished Chrome	CFR591	Satin Nickel	CFR595

81

Flush pull round Polished Chrome stainless steel diameter 90mm



Satin Chrome

Finish	Code
Satin Chrome	CFV395
Polished Chrome	CFV396

Recessed Door Handles

Additional accessories

Flush pull handle Satin Chrome stainless steel 155 X 37mm

Finish	Code
Satin Chrome	CFZ411



Flush pull radius end stainless steel 120 x 40mm

Finish	Code
Satin Chrome	CFV394
Polished Chrome	CFV393



Door straightener

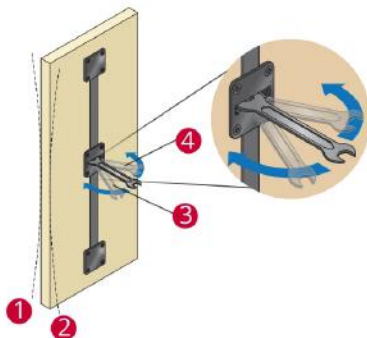
Additional accessories

Code
135538

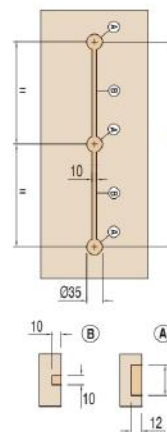
Our door straightener is easily fitted and adjusted centrally with a spanner. 3 x standard 35mm hinge holes linked with 10mm grooves is the only machining required. The threaded bars are concealed with push fit black plastic covers.

We recommend one straightening bar for doors up to maximum width of 750mm. For wider doors use 2 straightening bars per door.

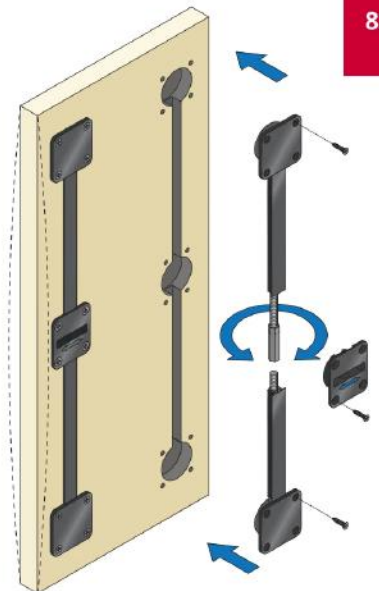
How to adjust the door straightener



If the door is in the **1** position, turn the hexagon nut in the **3** direction in order to straighten the door, viceversa, turn the hexagon nut in the opposite **4** direction to restore the verticality of the door from position **2**.



X = 2240mm outer bore centre distance for shorter doors simply cut threaded rods.



82



Contact for further information
01280 822288 | www.runners-uk.co.uk | sales@runners-sales.com

Recessed Door Sets

Additional accessories

SLD lock C/W RD privacy turns 40mm / 50mm



Finish	40mm Code	50mm Code
Antique Brass	CFR627	CFR635
Matt Black	CFR628	CFR636
Matt Bronze	CFR629	CFR637
Polished Brass	CFR630	CFR638

Finish	40mm Code	50mm Code
Polished Chrome	CFR631	CFR639
Satin Brass	CFR632	CFR640
Satin Chrome	CFR633	CFR641
Satin Nickel	CFR634	CFR642

83

Pocket door handles with lock & SQ privacy turns 40/50mm



Finish	40mm Code	50mm Code
Antique Brass	CFR659	CFR667
Matt Black	CFR660	CFR668
Matt Bronze	CFR661	CFR669
Polished Brass	CFR662	CFR670

Finish	40mm Code	50mm Code
Polished Chrome	CFR663	CFR671
Satin Brass	CFR664	CFR672
Satin Chrome	CFR665	CFR673
Satin Nickel	CFR666	CFR674



Contact for further information
01280 822288 | www.runners-uk.co.uk | sales@runners-sales.com

Recessed Door Sets

Additional accessories

Flush pull privacy set 197mm



Satin Nickel

Satin Chrome

Polished Brass

Finish	Code
Antique Brass	CFR620
Matt Black	CFR621
Matt Bronze	CFR622
Polished Brass	CFR623

Finish	Code
Polished Chrome	CFR624
Satin Brass	CFR625
Satin Chrome	CFR626

Sliding Door Locks

Additional accessories



Sliding door lock 5lever clawlock 76mm

Finish	Code
Satin	10-901
Brass	10-900



Cam lock long cylinder nickel plate 18 x 22mm (clock-wise)

Code
CFK420



Contact for further information
01280 822288 | www.runners-uk.co.uk | sales@runners-sales.com

Sliding Door Locks

Additional accessories



**Sliding door lock
nickel plate
19mm x 24mm
nozel**

Code
CFK423



**Flat cupboard
bolt, Polished Brass
60 x 116mm**

Code
CFI403

85



**Tommafold 200mm
straight locking
flush bolt**

Finish	Code
Satin Stainless Steel	60-FBL200L-SS
Polished Stainless Steel	60-FBL200L-PSS
Polished Brass	60-FBL200L-PB
Black	60-FBL200L-BK



**Tommafold 200mm
straight non-locking
flush bolt**

Finish	Code
Satin Stainless Steel	60-FBL200NL-SS
Polished Stainless Steel	60-FBL200NL-PSS
Polished Brass	60-FBL200NL-PB



**Tommafold door
surface bolt 150mm
Satin Chrome**

Code
AID415



**Tommafold lever
action flush bolt
150mm x 20mm
Satin Chrome**

Code
AID352

Other Sliding Solutions from Runners

On-Building





In-Building Sliding Systems



On-Building Sliding Systems



On-Furniture Sliding Systems



Exterior Bi-Fold Door Hardware



Industrial Sliding System



Overhead Conveyors



UK & International Sales:

Tel: +44 (0)1280 822288
 Fax: +44 (0)1280 813024
 Email: sales@runners-sales.com
 Web: www.runners-uk.com