

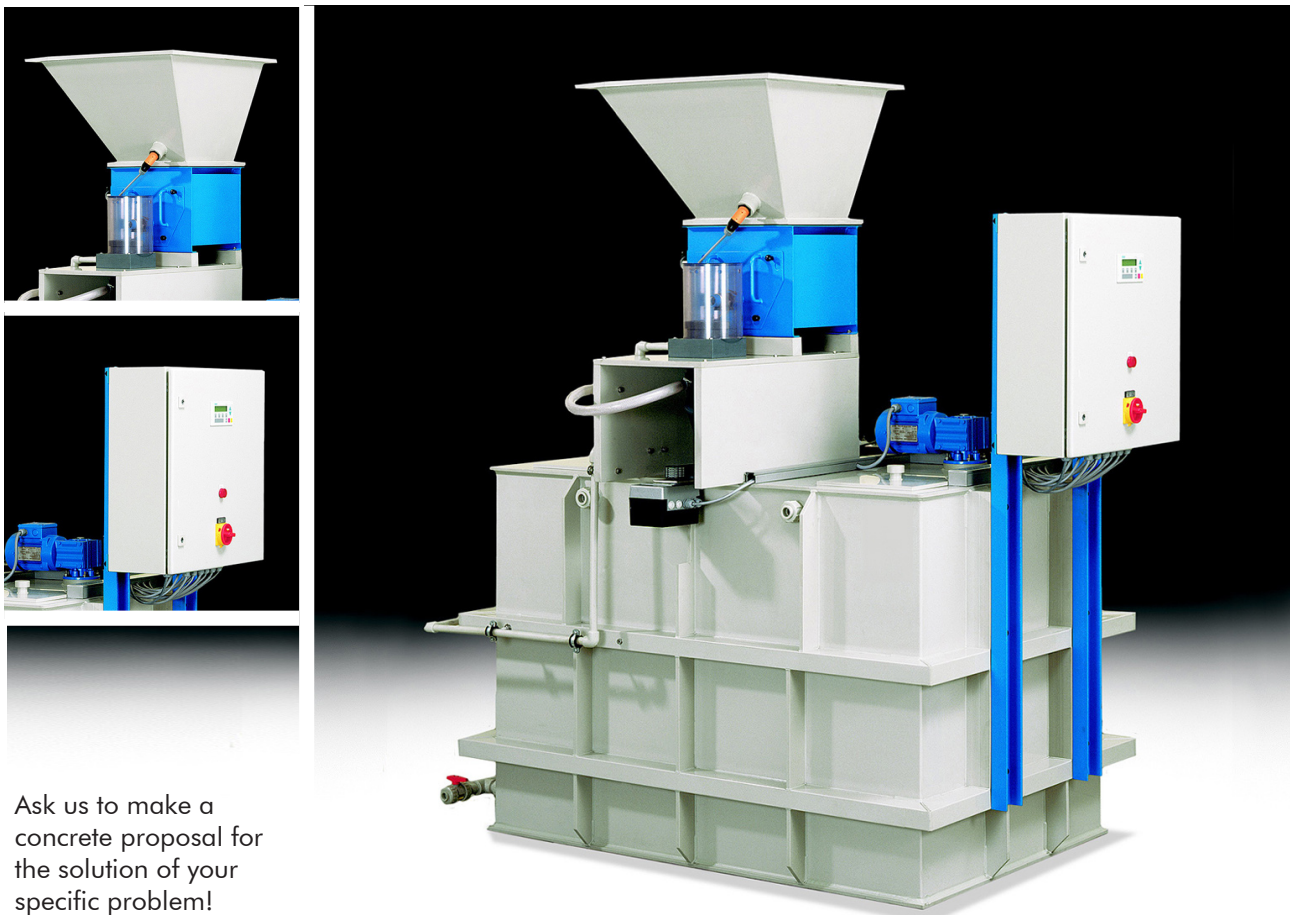
Preparation and dosing units for flocculents

PLA-2H-... / PLA-3H-...



sera-dissolving units offer

- Appliances tuned with each other
- Functional mode of operation
- Excellent long-time stability guaranteed by up-to date materials
- Thought-out planning
- Completely mounted in **sera**-works
- Easy to operate due to compact construction
- High operational reliability
- Good price-performance ratio and short amortization



Ask us to make a
concrete proposal for
the solution of your
specific problem!

Preparation and dosing units for flocculents



PLA-2H-... / PLA-3H-...

Preparation and dosing units for flocculents

In water treatment processes **sera**-dissolving units are used for the preparation of polyelectrolyte solutions. These solutions are fed into the water or waste water in certain concentrations. This way the sedimentation of turbid and muddy water is accelerated. Soil particles can be flocculated and extracted by filtering.

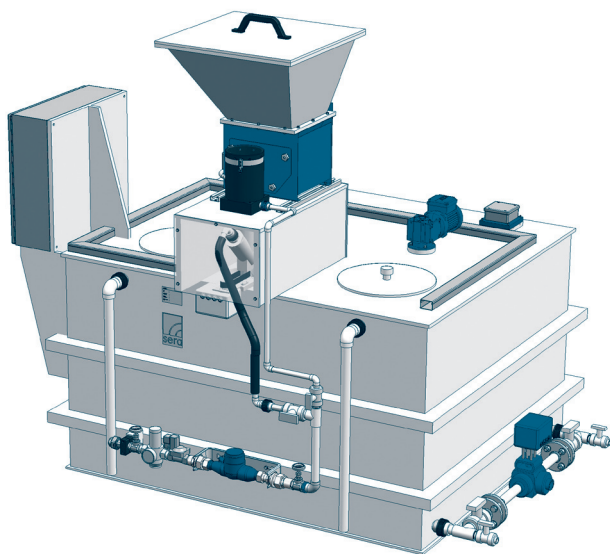
sera supplies manual dissolving units for batch operation as well as fully-automatic dissolving units - both types especially suitable for flocculents.

However, all systems can produce either solutions ready for use or parent solutions - the latter being diluted to a concentration ready for use before the dosing process.

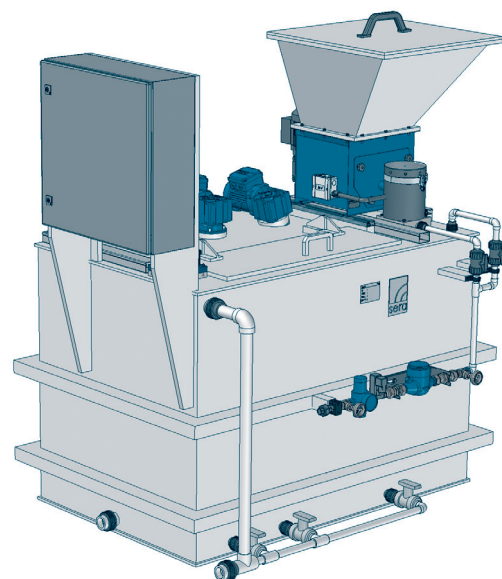
sera-dissolving units are supplied completely mounted and cabled. Provision must be made only for service water (free from soil particles), three-phase current and a pressure line between dosing pump and injection fitting.

Types

PLA-2H-...



PLA-3H-...



Preparation and dosing units for flocculents



PLA-2H-... / PLA-3H-...

Technical Data

PLA-2H-...

Type	Max. deposit capacity in l/h at 60 min. maturing time	Power consumption approx. kW
PLA-2H-500.1	500	1,2
PLA-2H-1000.1	1000	1,5
PLA-2H-2000.1	2000	2,5

PLA-3H-...

Type	Max. deposit capacity in l/h at 60 min. maturing time	Power consumption approx. kW	
		2 agitators	3 agitators
PLA-3H-500.1	500	1,2	200
PLA-3H-1000.1	1000	1,5	250
PLA-3H-2000.1	2000	1,8	320
PLA-3H-3000.1	3000	2,4	400
PLA-3H-4000.1	4000	3,0	500

Preparation and dosing units for flocculents

PLA-2H-... / PLA-3H-...



PLA-2H - Standard scope of delivery

- 2-chamber tank made of PP
- Volumetric metering screw (VDS) with hopper, 60 litres
- Signal „hopper empty“
- Feeding device
- 2 electric agitators (low speed)
- Level monitoring
- Dissolving water installation
- Control (PLC) for fully automatic preparation
- Language on display de/en

PLA-3H - Standard scope of delivery

- 3-chamber tank made of PP
- Volumetric metering screw (VDS) with hopper, 60 litres
- Signal „hopper empty“
- Feeding device
- 2 electric agitators (low speed)
- Level monitoring
- Dissolving water installation
- Control (PLC) for fully automatic preparation
- Language on display de/en

PLA-2H - Accessories (optional)

- Top for storage hopper, 40 litres
- Outer vibrator and vibration damper for VDS
- Dosing pump incl. accessories for fluid concentrate
- After-dilution station
- Small feeding device
- Mounted dosing unities
- Special voltage
- BUS-connection
- Control panel

PLA-3H - Accessories (optional)

- Top for storage hopper, 40 litres
- Outer vibrator and vibration damper for VDS
- Dosing pump incl. accessories for fluid concentrate
- 3rd agitator
- After-dilution station
- Small feeding device
- Mounted dosing unities
- Special voltage
- BUS-connection
- Control panel

Local **sera** - Representative:

<input type="text"/>	<input type="text"/>
<input type="text"/>	<input type="text"/>

**Seybert & Rahier
GmbH + Co. Betriebs-KG**
sera-Straße 1
34376 Immenhausen
Germany
Tel. +49 5673 999-00
Fax. +49 5673 999-01
www.sera-web.com
info@sera-web.com