

Sewage transport

Submersible pumps

Series description Wilo-Rexa FIT



Available from January 2012

Construction

Submersible sewage pump with cast iron hydraulics and stainless steel motor

Type key

Example: **Wilo Rexa FIT V06DA-110/EAD1-2-T0015-540-A**

FIT	Series name
V	Vortex impeller
06	Nominal diameter of the pressure connection: 05 = DN 50 06 = DN 65
D	Hydraulics drilled on the suction side in accordance with DIN drilled
A	Material version hydraulics A = standard version
110	Hydraulics intended use
E	Dry motor
A	Material version motor A = standard version
D	Seal with two independent mechanical shaft seals
1	IE efficiency class, e.g. 1 = IE1 (based on IEC 60034-30)
-	not Ex-rated
2	Number of poles
T	Mains connection version: M = 1~ T = 3~
0015	Value/10 = motor power P_2 in kW
5	Frequency (5 = 50 Hz, 6 = 60 Hz)
40	Key for rated voltage
A	Additional electrical equipment: O = with bare cable end, P = with plug A = with float switch and plug

Application

For pumping

- Waste water and sewage
- Waste water containing faeces
- Municipal and industrial sewage

- Sludges up to max. 8 % dry matter (depending on the selected hydraulics) in the domestic and site drainage in accordance with EN 12050 (having regard to the regional-specific regulations and instructions) and from sumps and vessels.

Special features/product advantages

- Submersible
- Vortex impeller non-susceptible to clogging
- Seal by two mechanical shaft seals
- External sealing chamber control for the oil barrier chamber (accessory)
- Very smooth operation
- Easy installation due to suspension unit or pump base

Technical data

- Mains connection: 1~230 V, 50 Hz or 3~400 V, 50 Hz
- Submerged operating mode: S1
- Surfaced operating mode: S2-30; S3 25%
- Protection class: IP 68
- Insulation class: F
- Max. fluid temperature: 3 - 40 °C, max. 60 °C for 3 min.
- Free passage: 50 or 65 mm
- Max. immersion depth: 20 m
- Cable length: 10 m

Equipment/function

- Winding temperature monitoring with bimetal sensor
- External sealing chamber control for the oil barrier chamber (optional)

Materials

- Motor housing: 1.4301
- Hydraulic housing: EN-GJL250
- Impeller: EN-GJL250
- Static seals: NBR
- Sealing on pump side: SiC/SiC
- Sealing on motor side: C/MgSiO₄
- Shaft end: Stainless steel 1.4021

Description/design

Submersible sewage pump as submersible monobloc unit for stationary and portable wet well installation.

Series description Wilo-Rexa FIT

Hydraulics

The outlet on the pressure side is designed as horizontal flange connection. The maximum possible dry matter is 8 % (depending on the hydraulics) Vortex impellers are used as the impeller shape.

Motor

The motors available are dry motors in single-phase version (with built-in operation capacitor) and three-phase version for the direct starting. The waste heat is given off directly to the surrounding fluid via the motor housing. For this reason, these motors can be operated immersed in permanent operation (S1) and non-immersed in short-term operation (S2) or intermittent operation (S3).

Furthermore the motors are equipped with thermal motor monitoring. This protects the motor windings against overheating. For units with single-phase AC motors this is built-in and switches automatically. I.e. if the motor is switched off due to overheating and then cools down it is automatically switched on again. Bimetal sensors are used as standard for this.

In addition the motor can be equipped with an external sealing chamber electrode for monitoring the oil barrier chamber. This signals if there is water ingress into the oil barrier chamber through the mechanical seal on the fluid side.

The connecting cable has a length of 10 m as standard and is available in following versions:

- With bare cable ends
- With plug
- With float switch and plug

Seal

There is an oil barrier chamber between the motor and hydraulics. This is filled with medicinal white oil. The fluid-side and motor-side seals are provided by two mechanical seals which rotate independently of each other.

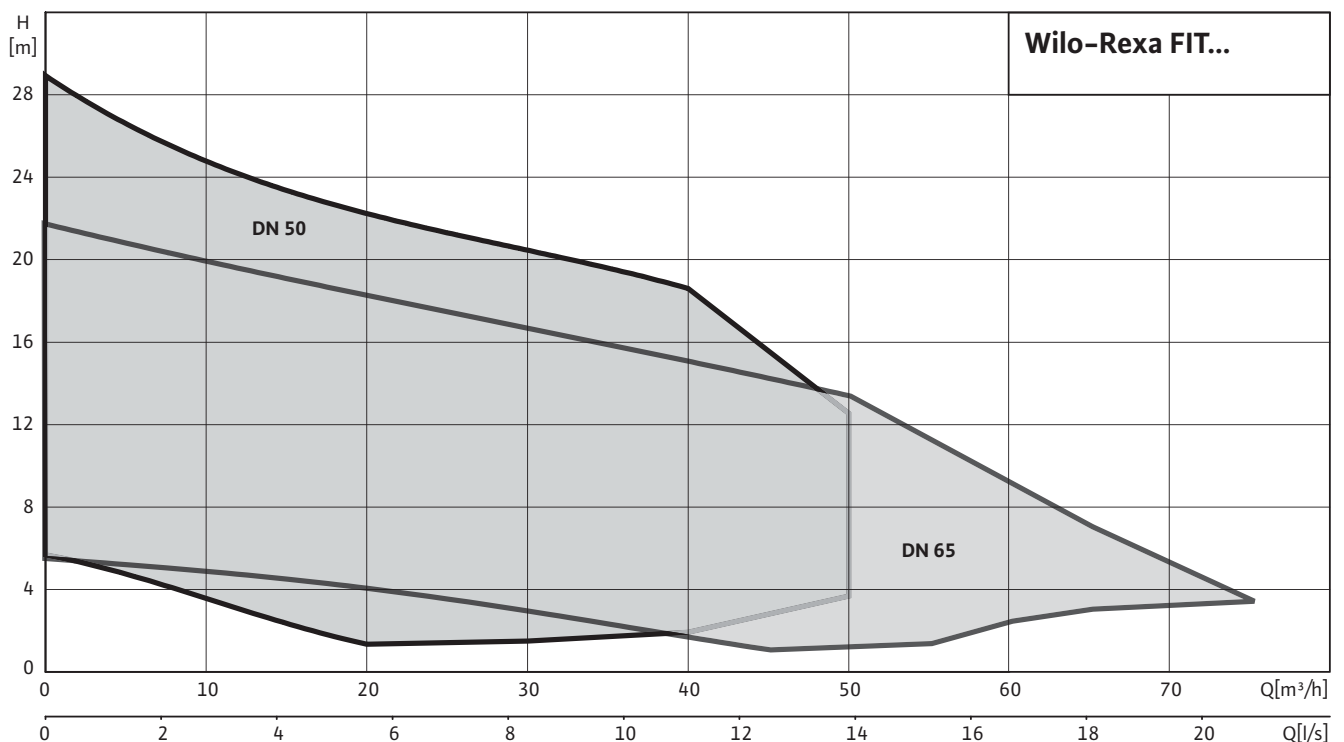
Scope of delivery

- Submersible sewage pump with 10 m cable
- Cable version depending on the variant:
 - With bare cable ends
 - With plug
 - With float switch and plug
- Operating and maintenance manual

Accessories

- Suspension unit or pump base
- External sealing chamber monitoring for monitoring the oil barrier chamber
- Chains
- Switchgears, relays and plugs
- Fixation sets with anchor bolts

Pump curves



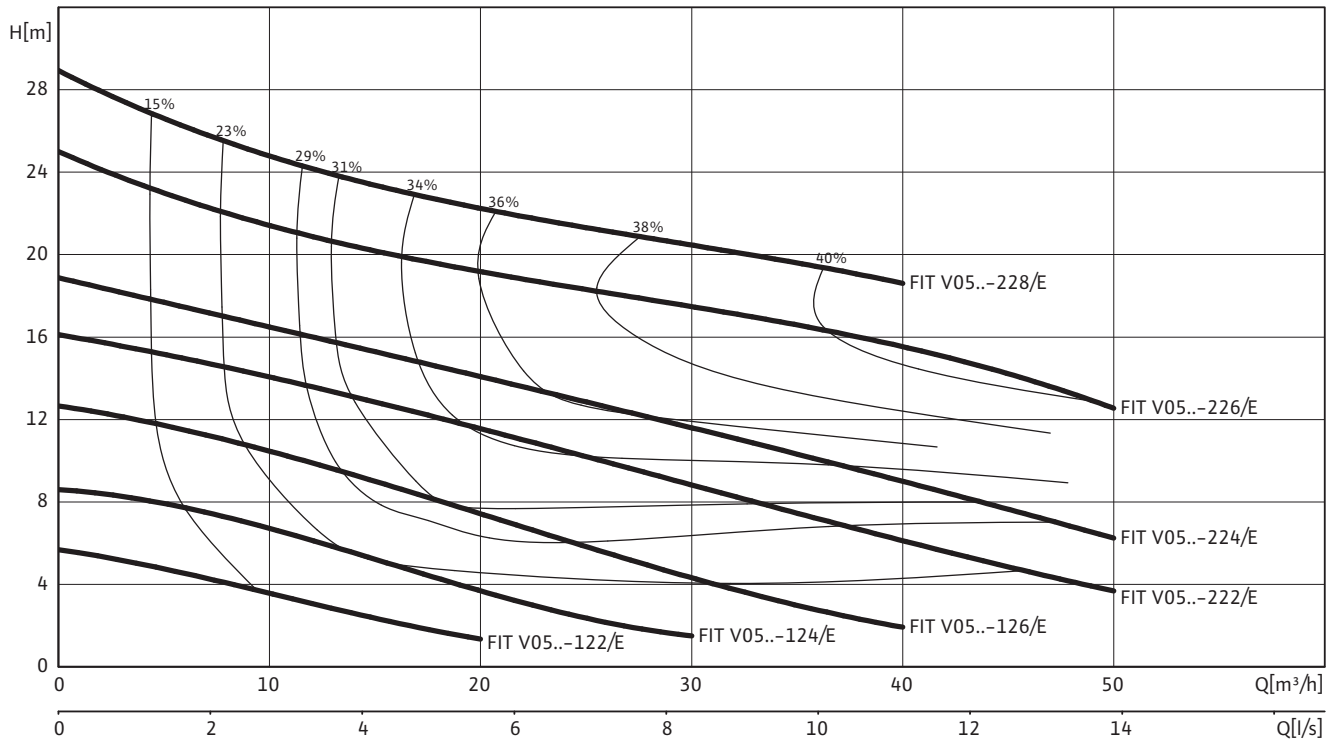
Sewage transport

Submersible pumps

Pump curves, ordering information Wilo-Rexa FIT V05

Pump curves Wilo-Rexa FIT V05.. – 50 Hz – 2900 rpm

Vortex impeller – Free ball passage: 50 mm



Information for order placements

Pump type	Nominal motor power	Float switch	Mains plug	Weight approx.	Art no.	☒	Art no.	🚚
	P_2			m	3~400 V, 50 Hz		1~230 V, 50 Hz	
	kW			kg				
FIT V05DA-122/E...-O	1.1	–	–	38.6	6064579	L	–	–
FIT V05DA-122/E...-P	1.1	–	•	37.7	–	–	6064578	L
FIT V05DA-122/E...-A	1.1	•	•	37.9	6064577	L	6064576	L
FIT V05DA-124/E...-O	1.1	–	–	38.7	6064583	L	–	–
FIT V05DA-124/E...-P	1.1	–	•	37.8	–	–	6064582	L
FIT V05DA-124/E...-A	1.1	•	•	38	6064581	L	6064580	L
FIT V05DA-126/E...-O	1.5	–	–	38.7	6064587	L	–	–
FIT V05DA-126/E...-P	1.5	–	•	37.8	–	–	6064586	L
FIT V05DA-126/E...-A	1.5	•	•	38.7	6064585	L	–	–
FIT V05DA-222/E...-O	2.5	–	–	41.1	6064589	L	–	–
FIT V05DA-222/E...-A	2.5	•	•	41.1	6064588	L	–	–
FIT V05DA-224/E...-O	2.5	–	–	41.1	6064591	L	–	–
FIT V05DA-224/E...-A	2.5	•	•	41.1	6064590	L	–	–
FIT V05DA-226/E...-O	3.9	–	–	46.2	6064593	L	–	–
FIT V05DA-226/E...-A	3.9	•	•	46.2	6064592	L	–	–
FIT V05DA-228/E...-O	3.9	–	–	46.2	6064595	L	–	–
FIT V05DA-228/E...-A	3.9	•	•	46.2	6064594	L	–	–

• = available, – = not available

Technical data Wilo-Rexa FIT V05

	FIT V05DA-122/E	FIT V05DA-122/E	FIT V05DA-124/E	FIT V05DA-124/E	FIT V05DA-126/E	FIT V05DA-126/E
	1~230 V, 50 Hz	3~400 V, 50 Hz	1~230 V, 50 Hz	3~400 V, 50 Hz	1~230 V, 50 Hz	3~400 V, 50 Hz
Unit						
Pressure connection	DN 50	DN 50	DN 50	DN 50	DN 50	DN 50
Free ball passage mm	50	50	50	50	50	50
Max. volume flow $Q_{max}/m^3/h$	20	20	30	30	40	40
Max. delivery head H_{max}/m	6	6	9	9	13	13
Operating mode (immersed)	S1	S1	S1	S1	S1	S1
Operating mode (non-immersed)	S2-15 min. S3-25%	S2-15 min. S3-25%	S2-15 min. S3-25%	S2-15 min. S3-25%	S2-15 min. S3-25%	S2-15 min. S3-25%
Max. immersion depth m	20	20	20	20	20	20
Protection class	IP 68	IP 68	IP 68	IP 68	IP 68	IP 68
Fluid temperature $T/^\circ C$	+3 ... +40	+3 ... +40	+3 ... +40	+3 ... +40	+3 ... +40	+3 ... +40
Motor data						
Nominal current I_N/A	7.4	2.7	7.4	2.7	8.8	3.4
Starting current I_A/A	-	-	-	-	-	-
Nominal motor power P_2/kW	1.1	1.1	1.1	1.1	1.5	1.5
Power consumption P_1/kW	1.7	1.4	1.7	1.4	2	1.9
Activation type	Direct	Direct	Direct	Direct	Direct	Direct
Nominal speed n/rpm	2900	2900	2900	2900	2900	2900
Insulation class	F	F	F	F	F	F
Recommended switching frequency $1/h$	20	20	20	20	20	20
Max. switching frequency $1/h$	50	50	50	50	50	50
Permitted voltage tolerance %	±10	±10	±10	±10	±10	±10
Cable						
Length of connecting cable m	10	10	10	10	10	10
Cable type	H07RN-F	H07RN-F	H07RN-F	H07RN-F	H07RN-F	H07RN-F
Cable cross-section mm^2	3G1	6G1	3G1	6G1	3G1	6G1
Type of connecting cable	Detachable	Detachable	Detachable	Detachable	Detachable	Detachable
Equipment/function						
Motor protection	WSK	WSK	WSK	WSK	WSK	WSK
Explosion protection	-	-	-	-	-	-
Materials						
Static seal	NBR	NBR	NBR	NBR	NBR	NBR
Impeller	EN-GJL-250	EN-GJL-250	EN-GJL-250	EN-GJL-250	EN-GJL-250	EN-GJL-250
Sealing on motor side	Carbon/stea-tite	Carbon/stea-tite	Carbon/stea-tite	Carbon/stea-tite	Carbon/stea-tite	Carbon/stea-tite
Mechanical seal	SiC/SiC	SiC/SiC	SiC/SiC	SiC/SiC	SiC/SiC	SiC/SiC
Motor housing	1.4301	1.4301	1.4301	1.4301	1.4301	1.4301
Pump housing	EN-GJL-250	EN-GJL-250	EN-GJL-250	EN-GJL-250	EN-GJL-250	EN-GJL-250
Pump shaft	1.4021	1.4021	1.4021	1.4021	1.4021	1.4021

• = available, - = not available

Sewage transport

Submersible pumps

Technical data Wilo-Rexa FIT V05

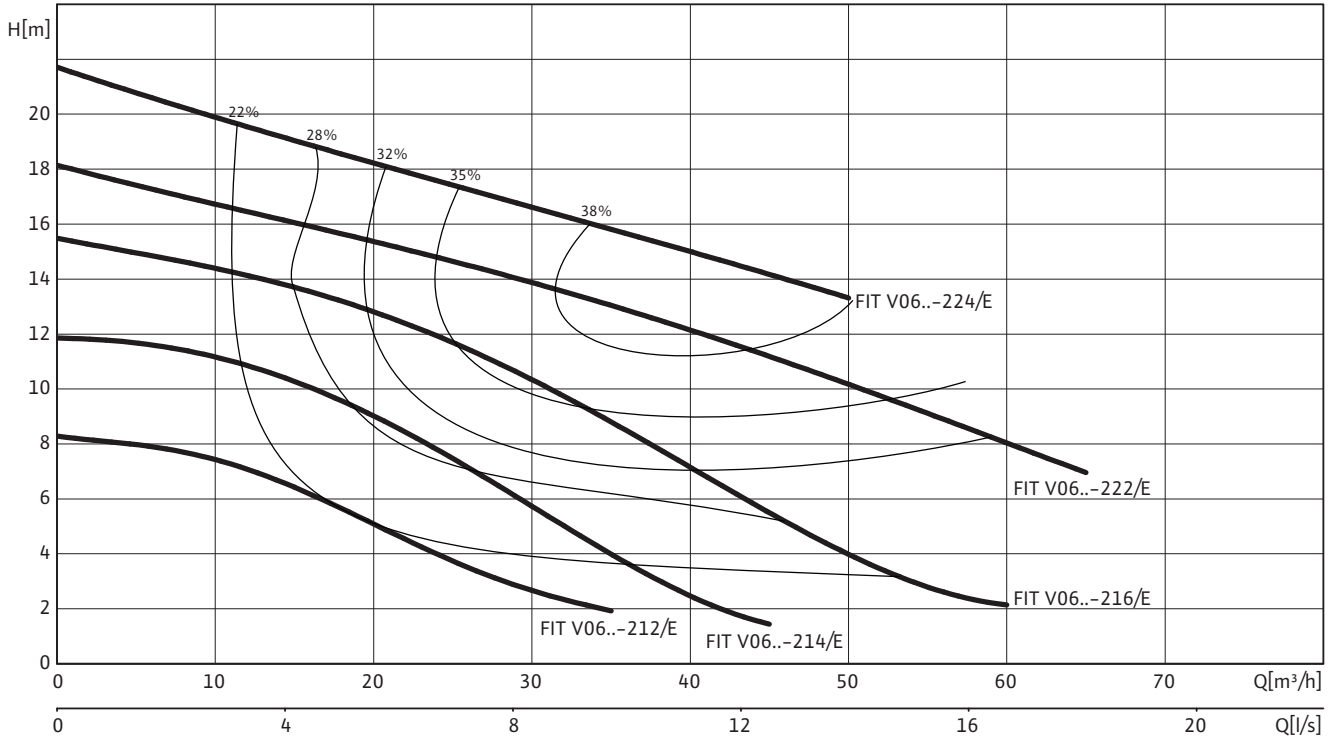
	FIT V05DA-222/E	FIT V05DA-224/E	FIT V05DA-226/E	FIT V05DA-228/E
	3~400 V, 50 Hz	3~400 V, 50 Hz	3~400 V, 50 Hz	3~400 V, 50 Hz
Unit				
Pressure connection	DN 50	DN 50	DN 50	DN 50
Free ball passage mm	50	50	50	50
Max. volume flow $Q_{max}/m^3/h$	50	50	50	40
Max. delivery head H_{max}/m	16	19	25	29
Operating mode (immersed)	S1	S1	S1	S1
Operating mode (non-immersed)	S2-15 min. S3-25%	S2-15 min. S3-25%	S2-15 min. S3-25%	S2-15 min. S3-25%
Max. immersion depth m	20	20	20	20
Protection class	IP 68	IP 68	IP 68	IP 68
Fluid temperature $T/^\circ C$	+3 ... +40	+3 ... +40	+3 ... +40	+3 ... +40
Motor data				
Nominal current I_N/A	5.3	5.3	7.7	7.7
Starting current I_A/A	–	–	–	–
Nominal motor power P_2/kW	2.5	2.5	3.9	3.9
Power consumption P_1/kW	3.2	3.2	4.7	4.7
Activation type	Direct	Direct	Direct	Direct
Nominal speed n/rpm	2900	2900	2900	2900
Insulation class	F	F	F	F
Recommended switching frequency $1/h$	20	20	20	20
Max. switching frequency $1/h$	50	50	50	50
Permitted voltage tolerance %	±10	±10	±10	±10
Cable				
Length of connecting cable m	10	10	10	10
Cable type	H07RN-F	H07RN-F	H07RN-F	H07RN-F
Cable cross-section mm^2	6G1	6G1	6G1,5	6G1,5
Type of connecting cable	Detachable	Detachable	Detachable	Detachable
Equipment/function				
Motor protection	WSK	WSK	WSK	WSK
Explosion protection	–	–	–	–
Materials				
Static seal	NBR	NBR	NBR	NBR
Impeller	EN-GJL-250	EN-GJL-250	EN-GJL-250	EN-GJL-250
Sealing on motor side	Carbon/steatite	Carbon/steatite	Carbon/steatite	Carbon/steatite
Mechanical seal	SiC/SiC	SiC/SiC	SiC/SiC	SiC/SiC
Motor housing	1.4301	1.4301	1.4301	1.4301
Pump housing	EN-GJL-250	EN-GJL-250	EN-GJL-250	EN-GJL-250
Pump shaft	1.4021	1.4021	1.4021	1.4021

• = available, – = not available

Pump curves, ordering information Wilo-Rexa FIT V06

Pump curves Wilo-Rexa FIT V06.. - 50 Hz - 2900 rpm

Vortex impeller - Free ball passage: 65 mm



Information for order placements

Pump type	Nominal motor power	Float switch	Mains plug	Weight approx.	Art no.	3~400 V, 50 Hz		1~230 V, 50 Hz	
						🚚		🚚	
						P_2		m	
	kW			kg					
FIT V06DA-212/E...-O	1.1	-	-	39.5	6064599	L	-	-	-
FIT V06DA-212/E...-P	1.1	-	•	39.5	-	-	-	6064598	L
FIT V06DA-212/E...-A	1.1	•	•	38.8	6064597	L	-	6064596	L
FIT V06DA-214/E...-O	1.5	-	-	39.6	6064703	L	-	-	-
FIT V06DA-214/E...-P	1.5	-	•	39.6	-	-	-	6064702	L
FIT V06DA-216/E...-A	2.5	•	•	40.7	6064704	L	-	-	-
FIT V06DA-216/E...-O	2.5	-	-	40.7	6064705	L	-	-	-
FIT V06DA-214/E...-A	1.5	•	•	38.7	6064701	L	-	-	-
FIT V06DA-222/E...-O	3.9	-	-	45.5	6064707	L	-	-	-
FIT V06DA-222/E...-A	3.9	•	•	45.5	6064706	L	-	-	-
FIT V06DA-224/E...-O	3.9	-	-	45.5	6064709	L	-	-	-
FIT V06DA-224/E...-A	3.9	•	•	45.5	6064708	L	-	-	-

• = available, - = not available

Sewage transport

Submersible pumps

Technical data Wilo-Rexa FIT V06

	FIT V06DA-212/E	FIT V06DA-212/E	FIT V06DA-214/E	FIT V06DA-214/E	FIT V06DA-216/E	FIT V06DA-214/E
	1~230 V, 50 Hz	3~400 V, 50 Hz	1~230 V, 50 Hz	3~400 V, 50 Hz	3~400 V, 50 Hz	3~400 V, 50 Hz
Unit						
Pressure connection	DN 65/DN 80	DN 65/DN 80	DN 65/DN 80	DN 65/DN 80	DN 65/DN 80	DN 65/DN 80
Free ball passage mm	65	65	65	65	65	65
Max. volume flow $Q_{max}/m^3/h$	35	35	45	45	60	45
Max. delivery head H_{max}/m	8	8	12	12	16	12
Operating mode (immersed)	S1	S1	S1	S1	S1	S1
Operating mode (non-immersed)	S2-15 min. S3-25%	S2-15 min. S3-25%	S2-15 min. S3-25%	S2-15 min. S3-25%	S2-15 min. S3-25%	S2-15 min. S3-25%
Max. immersion depth m	20	20	20	20	20	20
Protection class	IP 68	IP 68	IP 68	IP 68	IP 68	IP 68
Fluid temperature $T/^\circ C$	+3 ... +40	+3 ... +40	+3 ... +40	+3 ... +40	+3 ... +40	+3 ... +40
Motor data						
Nominal current I_N/A	7.4	2.7	8.8	3.4	5.3	3.4
Starting current I_A/A	–	–	–	–	–	–
Nominal motor power P_2/kW	1.1	1.1	1.5	1.5	2.5	1.5
Power consumption P_1/kW	1.7	1.4	2	1.9	3.2	1.9
Activation type	Direct	Direct	Direct	Direct	Direct	Direct
Nominal speed n/rpm	2900	2900	2900	2900	2900	2900
Insulation class	F	F	F	F	F	F
Recommended switching frequency $1/h$	20	20	20	20	20	20
Max. switching frequency $1/h$	50	50	50	50	50	50
Permitted voltage tolerance %	±10	±10	±10	±10	±10	±10
Cable						
Length of connecting cable m	10	10	10	10	10	10
Cable type	H07RN-F	H07RN-F	H07RN-F	H07RN-F	H07RN-F	H07RN-F
Cable cross-section mm^2	3G1	6G1	3G1	6G1	6G1	6G1
Type of connecting cable	Detachable	Detachable	Detachable	Detachable	Detachable	Detachable
Equipment/function						
Motor protection	WSK	WSK	WSK	WSK	WSK	WSK
Explosion protection	–	–	–	–	–	–
Materials						
Static seal	NBR	NBR	NBR	NBR	NBR	NBR
Impeller	EN-GJL-250	EN-GJL-250	EN-GJL-250	EN-GJL-250	EN-GJL-250	EN-GJL-250
Sealing on motor side	Carbon/stea-tite	Carbon/stea-tite	Carbon/stea-tite	Carbon/stea-tite	Carbon/stea-tite	Carbon/stea-tite
Mechanical seal	SiC/SiC	SiC/SiC	SiC/SiC	SiC/SiC	SiC/SiC	SiC/SiC
Motor housing	1.4301	1.4301	1.4301	1.4301	1.4301	1.4301
Pump housing	EN-GJL-250	EN-GJL-250	EN-GJL-250	EN-GJL-250	EN-GJL-250	EN-GJL-250
Pump shaft	1.4021	1.4021	1.4021	1.4021	1.4021	1.4021

• = available, – = not available

Technical data Wilo-Rexa FIT V06

	FIT V06DA-222/E	FIT V06DA-224/E
	3~400 V, 50 Hz	3~400 V, 50 Hz
Unit		
Pressure connection	DN 65/DN 80	DN 65/DN 80
Free ball passage mm	65	65
Max. volume flow $Q_{max}/m^3/h$	65	50
Max. delivery head H_{max}/m	18	22
Operating mode (immersed)	S1	S1
Operating mode (non-immersed)	S2-15 min. S3-25%	S2-15 min. S3-25%
Max. immersion depth m	20	20
Protection class	IP 68	IP 68
Fluid temperature $T/^\circ C$	+3 ... +40	+3 ... +40
Motor data		
Nominal current I_N/A	7.7	7.7
Starting current I_A/A	-	-
Nominal motor power P_2/kW	3.9	3.9
Power consumption P_1/kW	4.7	4.7
Activation type	Direct	Direct
Nominal speed n/rpm	2900	2900
Insulation class	F	F
Recommended switching frequency $1/h$	20	20
Max. switching frequency $1/h$	50	50
Permitted voltage tolerance %	± 10	± 10
Cable		
Length of connecting cable m	10	10
Cable type	H07RN-F	H07RN-F
Cable cross-section mm^2	6G1,5	6G1,5
Type of connecting cable	Detachable	Detachable
Equipment/function		
Motor protection	WSK	WSK
Explosion protection	-	-
Materials		
Static seal	NBR	NBR
Impeller	EN-GJL-250	EN-GJL-250
Sealing on motor side	Carbon/steatite	Carbon/steatite
Mechanical seal	SiC/SiC	SiC/SiC
Motor housing	1.4301	1.4301
Pump housing	EN-GJL-250	EN-GJL-250
Pump shaft	1.4021	1.4021

• = available, - = not available

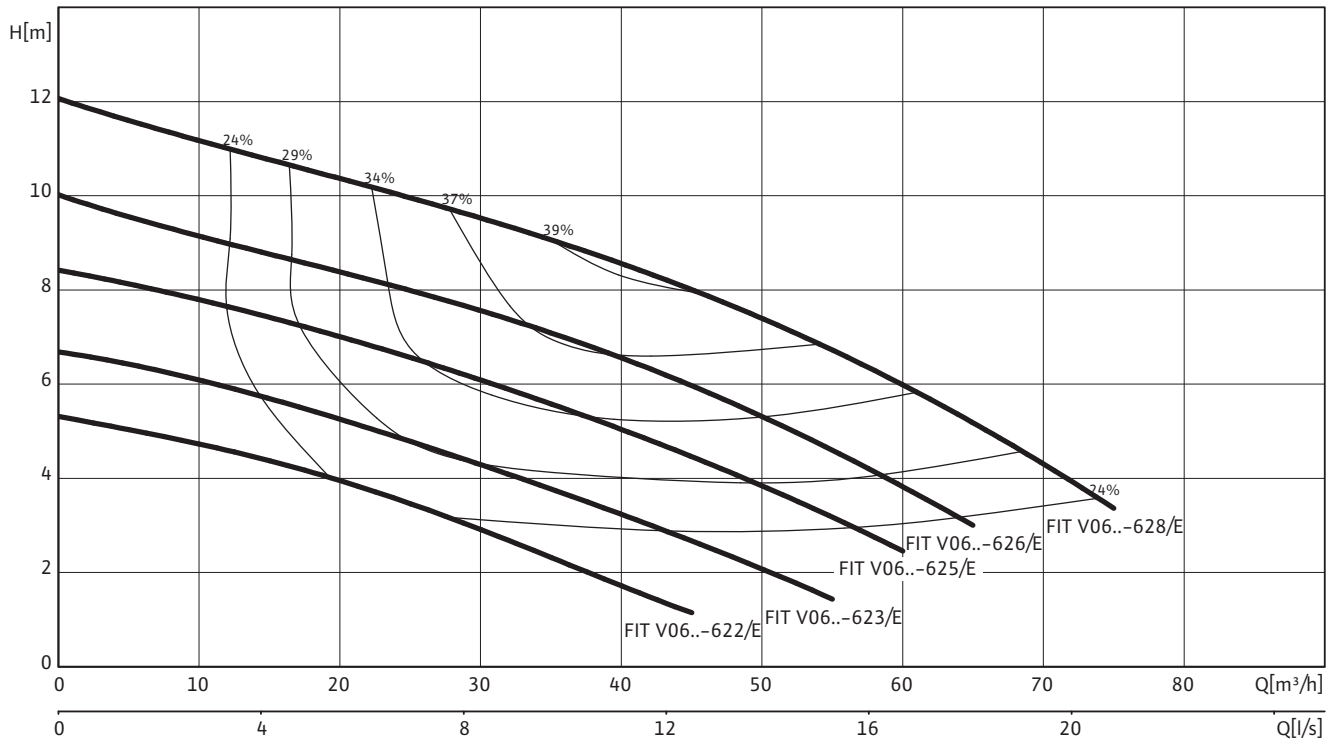
Sewage transport

Submersible pumps

Pump curves, ordering information Wilo-Rexa FIT V06

Pump curves Wilo-Rexa FIT V06.. – 50 Hz – 1450 rpm

Vortex impeller – Free ball passage: 65 mm



Information for order placements

Pump type	Nominal motor power	Float switch	Mains plug	Weight approx.	Art no.	🚚
					3~400 V, 50 Hz	
	P_2			m		
	kW			kg		
FIT V06DA-622/E...-O	1.1	–	–	51.1	6064711	L
FIT V06DA-623/E...-O	1.5	–	–	51.1	6064713	L
FIT V06DA-625/E...-O	1.5	–	–	51.3	6064715	L
FIT V06DA-626/E...-O	2.5	–	–	53.4	6064716	L
FIT V06DA-628/E...-O	2.5	–	–	53.5	6064717	L

• = available, – = not available

Technical data Wilo-Rexa FIT V06

	FIT V06DA-622/E	FIT V06DA-623/E	FIT V06DA-625/E	FIT V06DA-626/E	FIT V06DA-628/E
	3~400 V, 50 Hz	3~400 V, 50 Hz	3~400 V, 50 Hz	3~400 V, 50 Hz	3~400 V, 50 Hz
Unit					
Pressure connection	DN 65/DN 80	DN 65/DN 80	DN 65/DN 80	DN 65/DN 80	DN 65/DN 80
Free ball passage mm	65	65	65	65	65
Max. volume flow $Q_{max}/m^3/h$	45	55	60	65	75
Max. delivery head H_{max}/m	5	7	8	10	12
Operating mode (immersed)	S1	S1	S1	S1	S1
Operating mode (non-immersed)	S2-15 min. S3-25%	S2-15 min. S3-25%	S2-15 min. S3-25%	S2-15 min. S3-25%	S2-15 min. S3-25%
Max. immersion depth m	20	20	20	20	20
Protection class	IP 68	IP 68	IP 68	IP 68	IP 68
Fluid temperature $T/^\circ C$	+3 ... +40	+3 ... +40	+3 ... +40	+3 ... +40	+3 ... +40
Motor data					
Nominal current I_N/A	3.4	3.9	3.9	6	6
Starting current I_A/A	–	–	–	–	–
Nominal motor power P_2/kW	1.1	1.5	1.5	2.5	2.5
Power consumption P_1/kW	1.5	2.1	2.1	3.3	3.3
Activation type	Direct	Direct	Direct	Direct	Direct
Nominal speed n/rpm	1450	1450	1450	1450	1450
Insulation class	F	F	F	F	F
Recommended switching frequency $1/h$	20	20	20	20	20
Max. switching frequency $1/h$	50	50	50	50	50
Permitted voltage tolerance %	±10	±10	±10	±10	±10
Cable					
Length of connecting cable m	10	10	10	10	10
Cable type	H07RN-F	H07RN-F	H07RN-F	H07RN-F	H07RN-F
Cable cross-section mm^2	6G1	6G1	6G1	6G1	6G1
Type of connecting cable	Detachable	Detachable	Detachable	Detachable	Detachable
Equipment/function					
Motor protection	WSK	WSK	WSK	WSK	WSK
Explosion protection	–	–	–	–	–
Materials					
Static seal	NBR	NBR	NBR	NBR	NBR
Impeller	EN-GJL-250	EN-GJL-250	EN-GJL-250	EN-GJL-250	EN-GJL-250
Sealing on motor side	Carbon/steatite	Carbon/steatite	Carbon/steatite	Carbon/steatite	Carbon/steatite
Mechanical seal	SiC/SiC	SiC/SiC	SiC/SiC	SiC/SiC	SiC/SiC
Motor housing	1.4301	1.4301	1.4301	1.4301	1.4301
Pump housing	EN-GJL-250	EN-GJL-250	EN-GJL-250	EN-GJL-250	EN-GJL-250
Pump shaft	1.4021	1.4021	1.4021	1.4021	1.4021

• = available, – = not available

Sewage transport

Submersible pumps

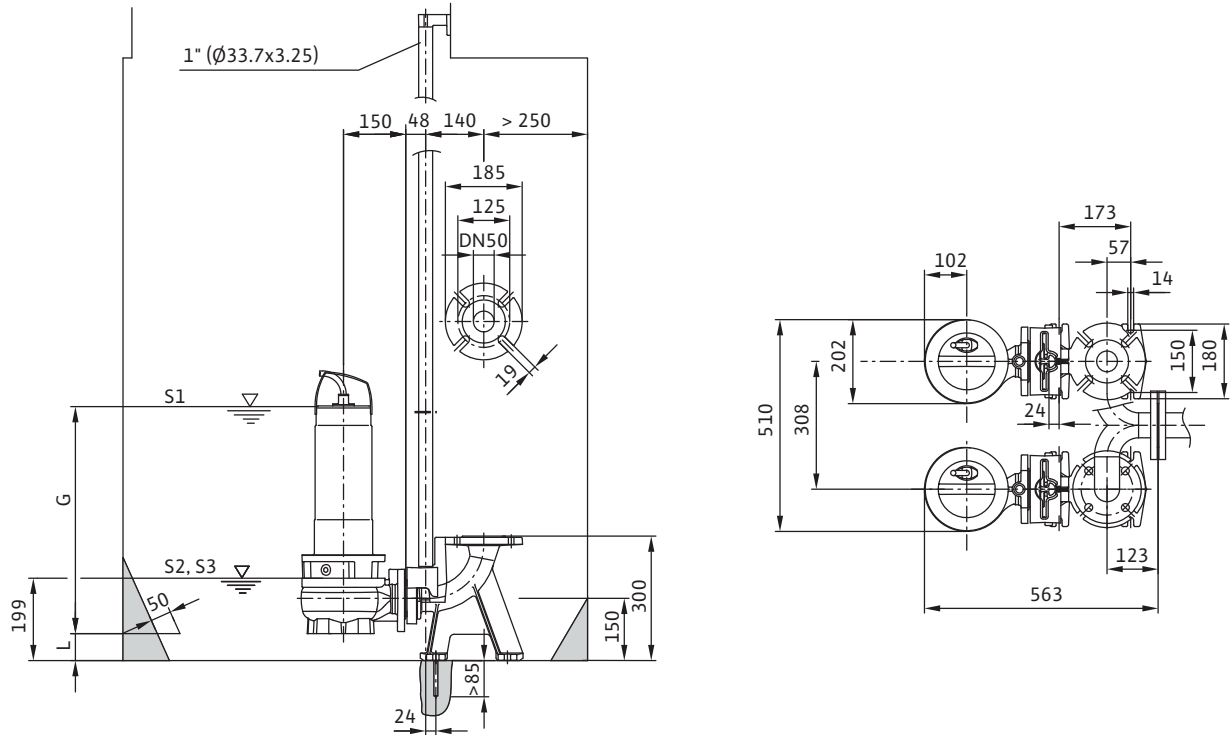
Technical data Wilo-Rexa FIT V06

	FIT V06DA-625/E	FIT V06DA-626/E	FIT V06DA-628/E
	3~400 V, 50 Hz	3~400 V, 50 Hz	3~400 V, 50 Hz
Unit			
Pressure connection	DN 65/DN 80	DN 65/DN 80	DN 65/DN 80
Free ball passage mm	65	65	65
Max. volume flow $Q_{max}/m^3/h$	60	65	75
Max. delivery head H_{max}/m	8	10	12
Operating mode (immersed)	S1	S1	S1
Operating mode (non-immersed)	S2-15 min. S3-25%	S2-15 min. S3-25%	S2-15 min. S3-25%
Max. immersion depth m	20	20	20
Protection class	IP 68	IP 68	IP 68
Fluid temperature $T/^\circ C$	+3 ... +40	+3 ... +40	+3 ... +40
Motor data			
Nominal current I_N/A	3.9	6	6
Starting current I_A/A	–	–	–
Nominal motor power P_2/kW	1.5	2.5	2.5
Power consumption P_1/kW	2.1	3.3	3.3
Activation type	Direct	Direct	Direct
Nominal speed n/rpm	1450	1450	1450
Insulation class	F	F	F
Recommended switching frequency $1/h$	20	20	20
Max. switching frequency $1/h$	50	50	50
Permitted voltage tolerance %	±10	±10	±10
Cable			
Length of connecting cable m	10	10	10
Cable type	H07RN-F	H07RN-F	H07RN-F
Cable cross-section mm^2	6G1	6G1	6G1
Type of connecting cable	Detachable	Detachable	Detachable
Equipment/function			
Motor protection	WSK	WSK	WSK
Explosion protection	–	–	–
Materials			
Static seal	NBR	NBR	NBR
Impeller	EN-GJL-250	EN-GJL-250	EN-GJL-250
Sealing on motor side	Carbon/steatite	Carbon/steatite	Carbon/steatite
Mechanical seal	SiC/SiC	SiC/SiC	SiC/SiC
Motor housing	1.4301	1.4301	1.4301
Pump housing	EN-GJL-250	EN-GJL-250	EN-GJL-250
Pump shaft	1.4021	1.4021	1.4021

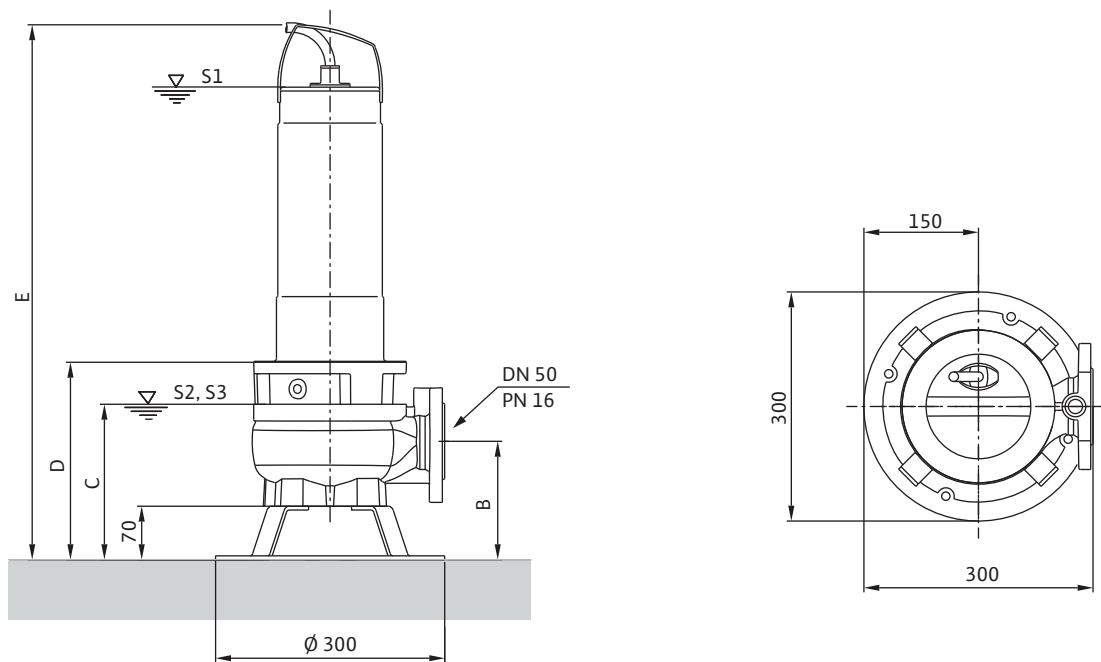
• = available, – = not available

Dimension drawing Wilo-Rexa FIT

Dimension drawing Wilo-Rexa FIT V05 – stationary wet well installation



Dimension drawing Wilo-Rexa FIT V05 – transportable wet well installation

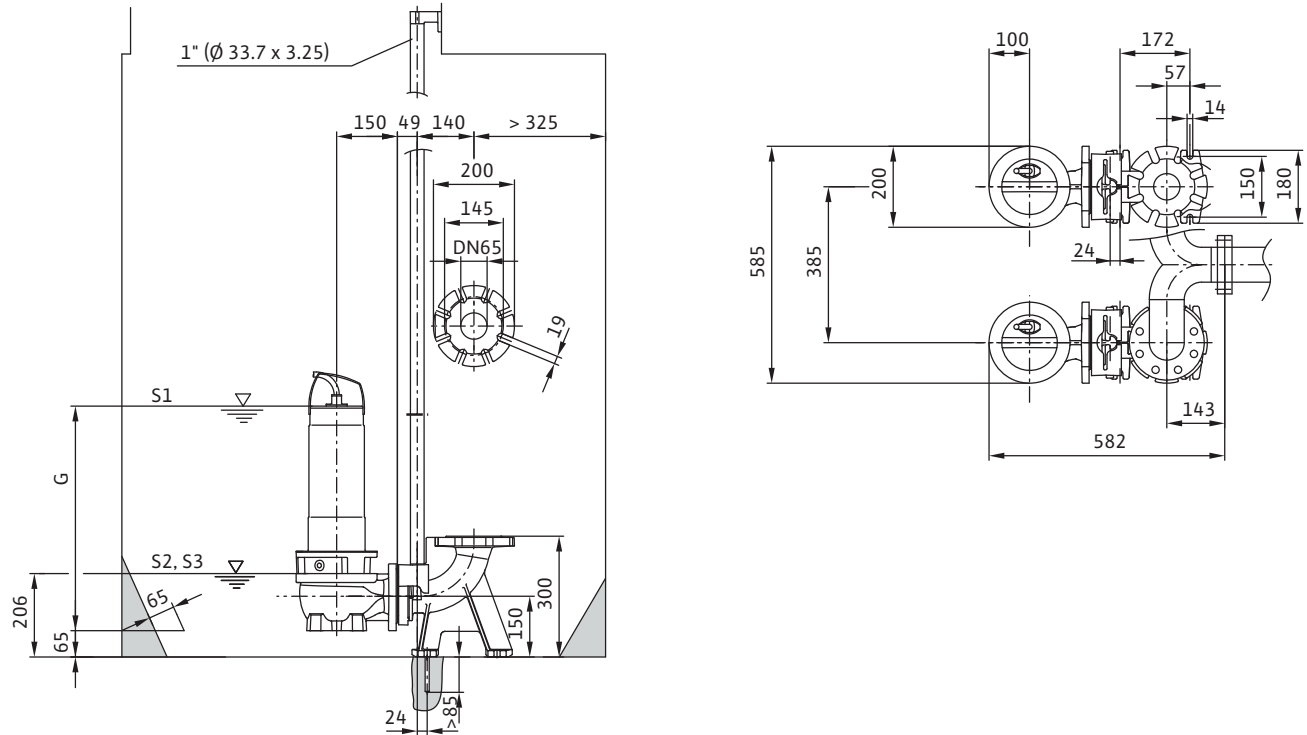


Sewage transport

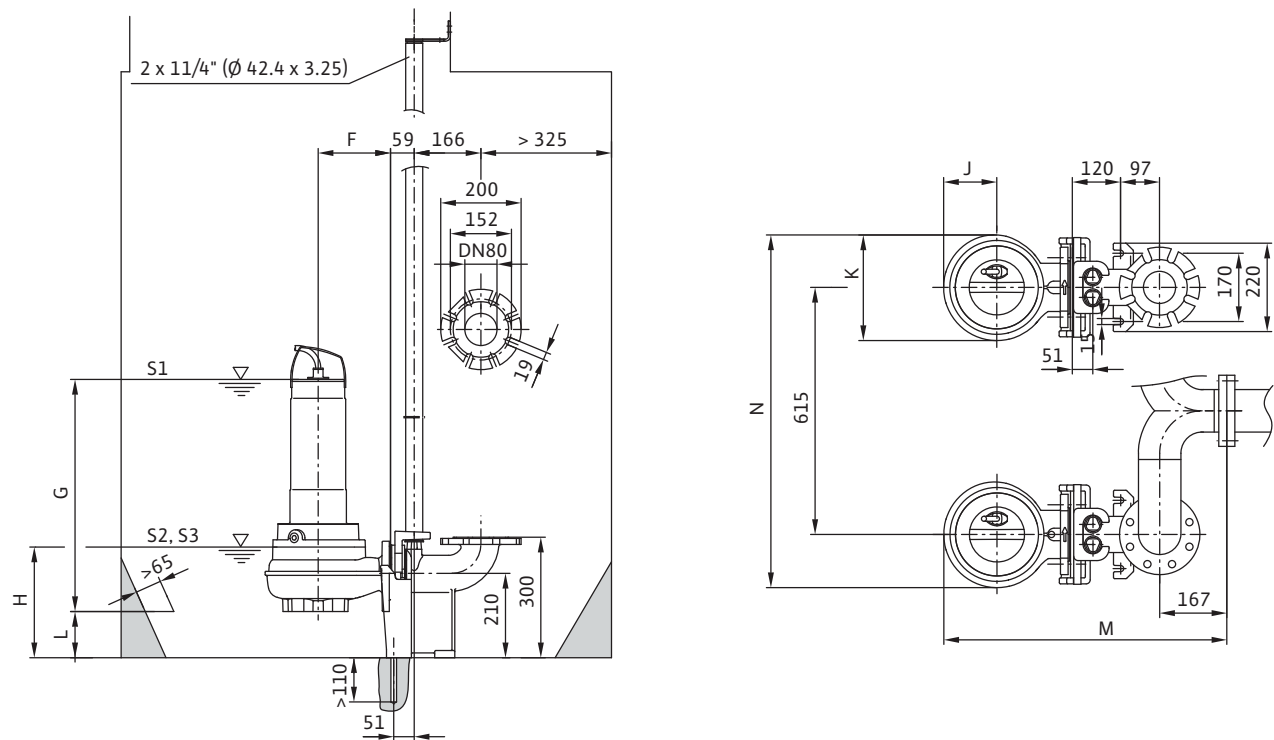
Submersible pumps

Dimension drawing Wilo-Rexa FIT

Dimension drawing Wilo-Rexa FIT V06 - stationary wet well installation for DN 65

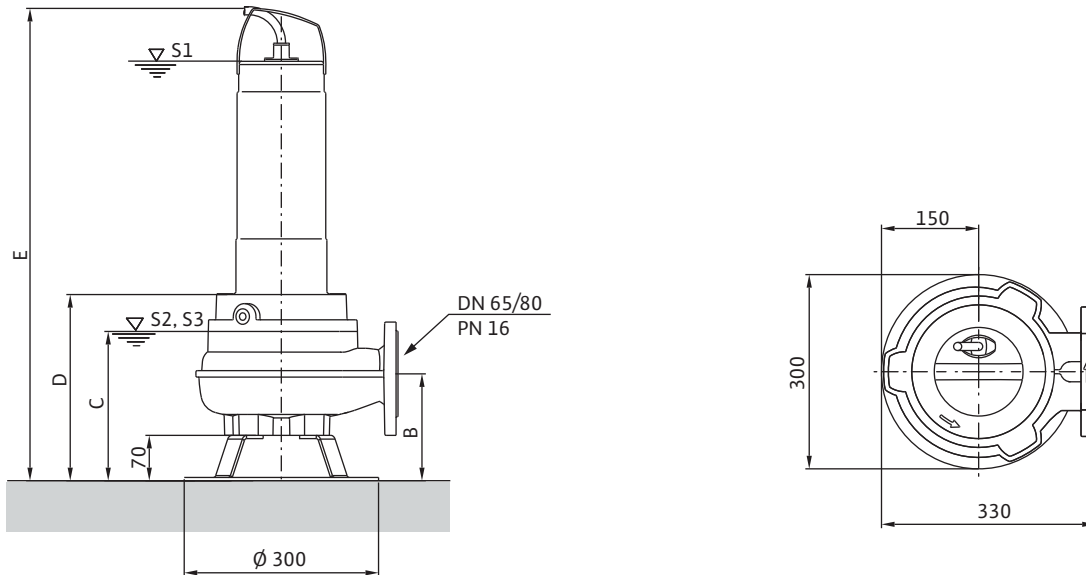


Dimension drawing Wilo-Rexa FIT V06 - stationary wet well installation for DN 80



Dimension drawing Wilo-Rexa FIT

Dimension drawing Wilo-Rexa FIT V06 – transportable wet well installation



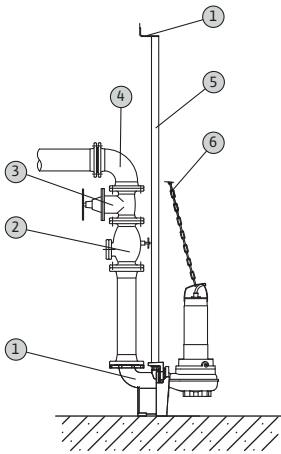
Dimensions, weights

Wilo-Rexa...	Dimensions										
	B	C	D	E	G	H	J	K	L	M	N
	mm										
FIT V05DA-122/E	148	196	251	608	457	–	–	–	72	–	–
FIT V05DA-124/E	148	196	251	608	457	–	–	–	72	–	–
FIT V05DA-126/E	148	196	251	608	457	–	–	–	72	–	–
FIT V05DA-222/E	155	203	258	700	549	–	–	–	65	–	–
FIT V05DA-224/E	155	203	258	700	549	–	–	–	65	–	–
FIT V05DA-226/E	155	203	258	700	549	–	–	–	65	–	–
FIT V05DA-228/E	155	203	258	700	549	–	–	–	65	–	–
FIT V06DA-212/E	155	211	266	623	471	256	100	200	125	642	815
FIT V06DA-214/E	155	211	266	623	471	256	100	200	125	642	815
FIT V06DA-216/E	155	211	266	708	556	256	100	200	125	642	815
FIT V06DA-222/E	155	211	266	708	556	256	100	200	125	642	815
FIT V06DA-224/E	155	211	266	708	556	256	100	200	125	642	815
FIT V06DA-622/E	165	230	287	729	578	275	147	263	115	719	878
FIT V06DA-623/E	165	230	287	729	578	275	147	263	115	719	878
FIT V06DA-625/E	165	230	287	729	578	275	147	263	115	719	878
FIT V06DA-626/E	165	230	287	729	578	275	147	263	115	719	878
FIT V06DA-628/E	165	230	287	729	578	275	147	263	115	719	878

Sewage transport

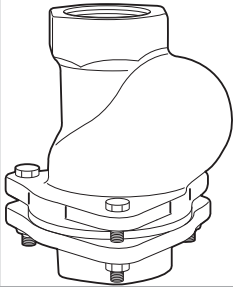
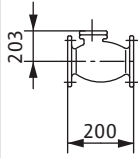
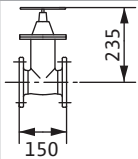
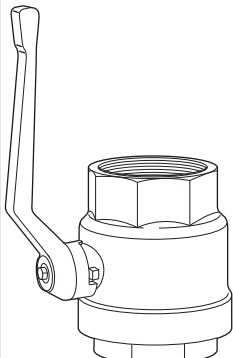
Submersible pumps

Mechanical accessories



- 1 Suspension unit
- 2 Non-return valve
- 3 Gate valve
- 4 Pipe elbow
- 5 Guide pipe
- 6 Chain

Stationary wet well installation DN 50

		Description	Art no.
Non-return ball valve		Made of EN-GJL-250, with Rp 2 female thread for DN 50 connection	4027331
Non-return valve		Made of EN-GJL-250, in accordance with DIN EN 12050-4, with non-constricted passage, cleaning aperture and ventilation device, incl. 1 set of mounting accessories, PN 10/16 flange in accordance with DIN 2501, for DN 50 connection	2017166
Gate valve		Made of EN-GJL-250, incl. 1 set of mounting accessories, PN 10/16 flange in accordance with DIN 2501, DN 50	2017160
Shut-off ball valve		Made of brass, nickel-plated, with Rp 2 female thread for DN 50 connection	4027338

Mechanical accessories

Stationary wet well installation DN 50

		Description	Art no.
Y-piece DN 50		For double-pump systems made of steel, galvanized, PN 10/16 flange in accordance with DIN 2501 with 2 sets of mounting accessories, DN 50/50/50 connection	2019042
Mounting accessories DN 40/50		For a DN 40/50 flange connection, with 4 screws, 4 nuts and 1 flat gasket for PN 10/16 flange, DIN 2501	2057177
Chain set PCS-CE		As chain sling including 2 shackles to DIN 32891. Material: galvanised steel, bearing capacity: 400 kg, length: 5 m	6060663
		As chain sling including 2 shackles to DIN 32891. Material: galvanised steel, bearing capacity: 400 kg, length: 10 m	6060716
Suspension unit DN50/1RK		Made of EN-GJL-250, with free passage in DN 50, foot elbow incl. pump holder, profile joint, single-pipe guide pipe bracket and mounting accessories for sump and floor fixation. Connection on pressure side DN 50. Guide pipe \varnothing 1" must be fitted on site.	6064675

Stationary wet well installation DN 65

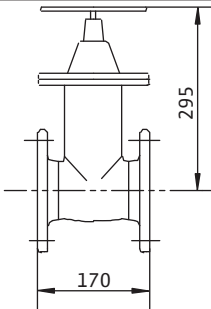
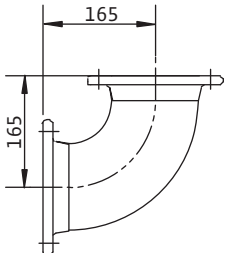
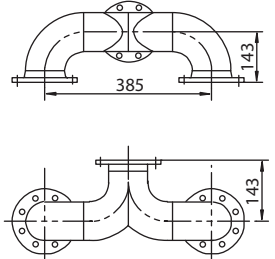
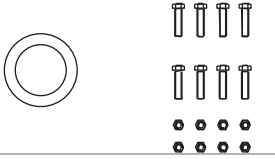
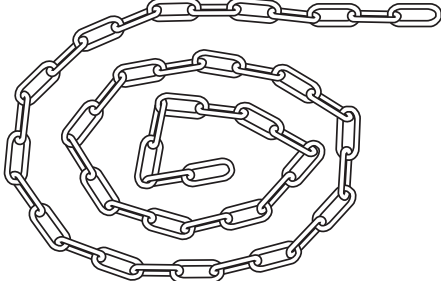
		Description	Art no.
Suspension unit DN65/1RK		Made of EN-GJL-250, with free passage in DN 65, foot elbow incl. pump holder, profile joint, single-pipe guide pipe bracket and mounting accessories for sump and floor fixation. Connection on pressure side DN 65. Guide pipe \varnothing 1" must be fitted on site.	6063973
Non-return valve		Made of EN-GJL-250, in accordance with DIN EN 12050-4, with non-constricted passage, cleaning aperture and ventilation device, incl. 1 set of mounting accessories, PN 10/16 flange in accordance with DIN 2501, for DN 65 connection	2017167

Sewage transport

Submersible pumps

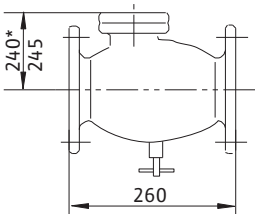
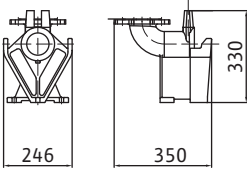
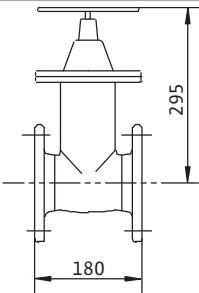
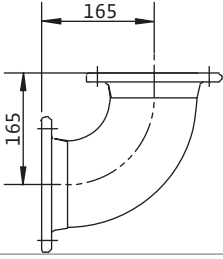
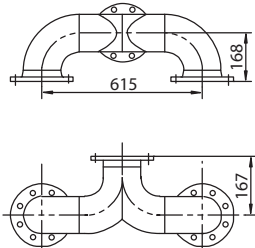
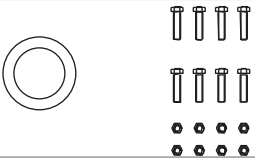
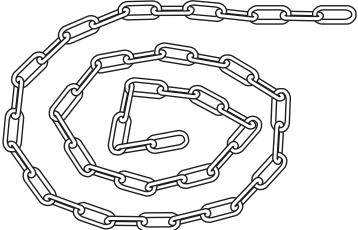
Mechanical accessories

Stationary wet well installation DN 65

		Description	Art no.
Gate valve		Made of EN-GJL-250, incl. 1 set of mounting accessories, PN 10/16 flange in accordance with DIN 2501, DN 65	2017161
Pipe bend 90°		Made of spheroidal cast iron 400-15, with 2 flanges, including 1 set of mounting accessories, PN 10/16 flange, DIN 28637, for DN 65 connection	2017183
Y-piece DN 65		For double-pump systems made of steel, galvanized, PN 10/16 flange in accordance with DIN 2501 with 2 sets of mounting accessories, DN 65/65/65 connection	2017178
Mounting accessories DN 65		For a DN 40/50 flange connection, with 4 screws, 4 nuts and 1 flat gasket for PN 10/16 flange, DIN 2502	2012068
Chain set PCS-CE		As chain sling including 2 shackles to DIN 32891. Material: galvanised steel, bearing capacity: 400 kg, length: 5 m	6060663
		As chain sling including 2 shackles to DIN 32891. Material: galvanised steel, bearing capacity: 400 kg, length: 10 m	6060716

Mechanical accessories

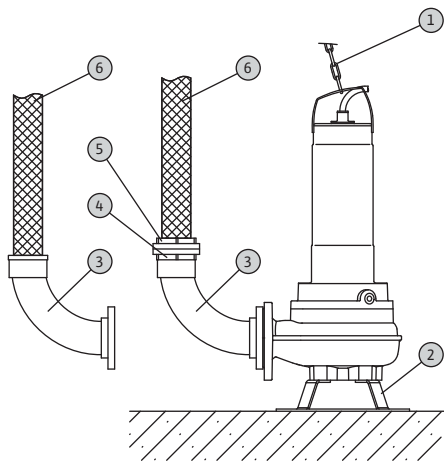
Stationary wet well installation DN 80

		Description	Art no.
Non-return valve		Made of EN-GJL-250, in accordance with DIN EN 12050-4, with non-constricted passage, cleaning aperture and ventilation device, incl. 1 set of mounting accessories, PN 10/16 flange in accordance with DIN 2501, for DN 80 connection	2017168
Suspension unit EHV DN80/ZRK		Made of EN-GJL-250, painted, with free passage in DN 80, foot elbow incl. pump bracket, profile joint, installation and floor fixation accessories and guide pipe bracket $\varnothing 1\frac{1}{4}$ " without guide pipes. Connection on pressure side DN 80/65. Flanges PN 10/16 in accordance with DIN 2501. The double pipe feed $\varnothing 1\frac{1}{4}$ " is to be provided by the customer.	6036888
Gate valve		Made of EN-GJL-250, incl. 1 set of installation accessories, PN 10/16 flanges in accordance with DIN 2501, DN 80	2017162
Pipe bend 90°		Made of spheroidal cast iron 400-15, with 2 flanges, including 1 set of mounting accessories, PN 10/16 flange, DIN 28637, for DN 80 connection	2012064
Y-piece DN 80		For double-pump systems made of steel, galvanized, PN 10/16 flange in accordance with DIN 2501 with 2 sets of mounting accessories, DN 80/80/80 connection	2017179
Mounting accessories DN 80		For a DN 80 flange connection, with 8 screws, 8 nuts and 1 flat gasket for PN 10/16 flange, DIN 2502	2012067
Chain set PCS-CE		As chain sling including 2 shackles to DIN 32891. Material: galvanised steel, bearing capacity: 400 kg, length: 5 m	6060663
		As chain sling including 2 shackles to DIN 32891. Material: galvanised steel, bearing capacity: 400 kg, length: 10 m	6060716

Sewage transport

Submersible pumps

Mechanical accessories



- 1 Chain
- 2 Pump base
- 3 Pipe elbow for hose connection or Storz pipe coupling
- 4 Storz pipe coupling
- 5 Storz hose coupling
- 6 Pressure hose

Portable wet well installation with hose connection DN 50

		Description	Art no.
Pipe bend 90°		Made of steel, galvanized with G 2 / R 2 female/male thread for DN 50 connection	4027332
Adapter DN 50 - Rp 2		Made of steel, galvanized, DN 50 threaded flange, PN 10/16, DIN 2566 with Rp 2 1/2 female thread, incl. 1 set of mounting accessories for DN 50 connection	4027333
Hose connection		Made of plastic, hose nozzle \varnothing 60 mm including hose clip, male thread R 2 for direct hose connection	4027334
Pressure hose		Synthetic, inner \varnothing 60 mm, PN 8, length 10 m, incl. hose clip for direct hose connection via hose nozzle, \varnothing 60 mm	2018106
Chain set PCS-CE		As chain sling including 2 shackles to DIN 32891. Material: galvanised steel, bearing capacity: 400 kg, length: 5 m	6060663
		As chain sling including 2 shackles to DIN 32891. Material: galvanised steel, bearing capacity: 400 kg, length: 10 m	6060716

Mechanical accessories

Portable wet well installation with hose connection DN 50

		Description	Art no.
Floor supporting foot DN 50/65		Made of steel (S235JR) with 4 supports for connection to DN 50/65, powder coated, incl. fixation material	6064666
Pipe bend 90°		Made of PVC, with hose nozzle (\varnothing 60 mm) for direct hose connection, flange on pump side, incl. 1 set of mounting accessories for DN 50 connection	4027344

Portable wet well installation with hose connection DN 65

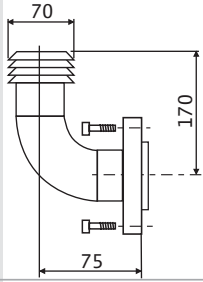

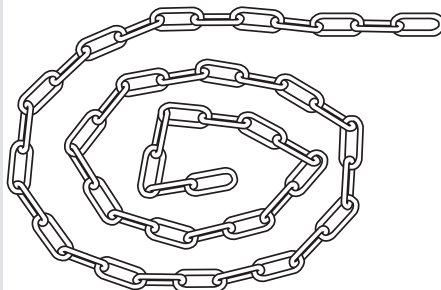
		Description	Art no.
Pipe bend 90°		Made of steel, galvanized with G 2 / R 2 female/male thread for DN 65 connection	4015212
Floor supporting foot DN 50/65		Made of steel (S235JR) with 4 supports for connection to DN 50/65, powder coated, incl. fixation material	6064666
Adapter DN 65 - Rp 2 1/2		Made of steel, galvanized, DN 65 threaded flange, PN 10/16, DIN 2566 with Rp 2 1/2 female thread, incl. 1 set of mounting accessories for DN 65 connection	4015204
Hose connection		Made of brass, hose nozzle (\varnothing 70 mm), including hose clip, R 2 1/2 male thread for direct hose connection	4015210

Sewage transport

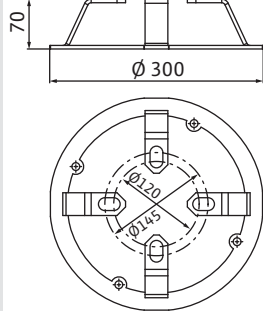
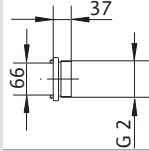
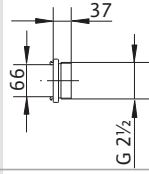
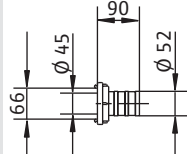
Submersible pumps

Mechanical accessories

Portable wet well installation with hose connection DN 65

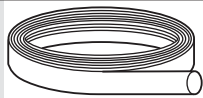
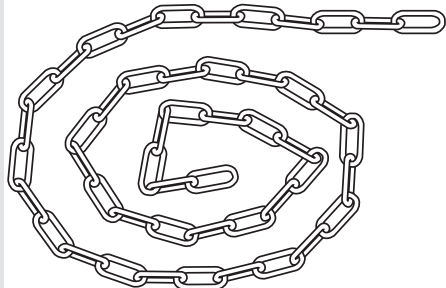
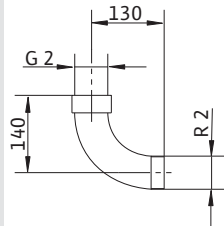
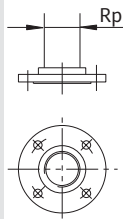
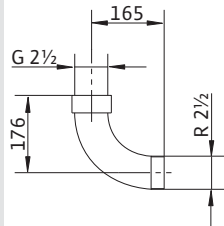
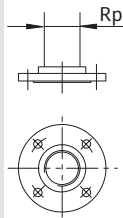
		Description	Art no.
Pipe bend 90°		Made of EN-GJL-250, with hose nozzle (Ø 70 mm) for direct hose connection, flange on pump side, incl. 1 set of mounting accessories for DN 65 connection	4027346
Pressure hose		Synthetic, inner Ø 70 mm, PN 8, length 10 m, incl. hose clip for direct hose connection via hose nozzle, Ø 70 mm	2014151
Chain set PCS-CE		As chain sling including 2 shackles to DIN 32891. Material: galvanised steel, bearing capacity: 400 kg, length: 5 m	6060663
		As chain sling including 2 shackles to DIN 32891. Material: galvanised steel, bearing capacity: 400 kg, length: 10 m	6060716

Portable wet well installation with Storz coupling DN 50/65

		Description	Art no.
Floor supporting foot DN 50/65		Made of steel (S235JR) with 4 supports for connection to DN 50/65, powder coated, incl. fixation material	6064666
Storz pipe coupling		Made of aluminium, Storz C connection, with G 2 male thread, tappet clearance 66 mm for a DN 50 connection	2018102
		Made of aluminium, Storz C connection, with G 2½ male thread, tappet clearance 66 mm for a DN 65 connection	2015234
Storz hose coupling		Made of aluminium, Storz A connection, with hose nozzle (Ø 52 mm), tappet clearance 66 mm, incl. hose clip	2015235

Mechanical accessories

Portable wet well installation with Storz coupling DN 50/65

		Description	Art no.
Pressure hose		Synthetic, inner \varnothing 52 mm, PN 8, length 10 m, incl. hose clip for direct hose connection via hose nozzle (\varnothing 50 mm) or a Storz C hose coupling	2017192
Chain set PCS-CE		As chain sling including 2 shackles to DIN 32891. Material: galvanised steel, bearing capacity: 400 kg, length: 5 m	6060663
		As chain sling including 2 shackles to DIN 32891. Material: galvanised steel, bearing capacity: 400 kg, length: 10 m	6060716
Pipe bend 90°		Made of steel, galvanized with G 2 / R 2 female/male thread for DN 50 connection	4027332
Adapter DN 50 - Rp 2		Made of steel, galvanized, DN 50 threaded flange, PN 10/16, DIN 2566 with Rp 2½ female thread, incl. 1 set of mounting accessories for DN 50 connection	4027333
Pipe bend 90°		Made of steel, galvanized with G 2 / R 2 female/male thread for DN 65 connection	4015212
Adapter DN 65 - Rp 2½		Made of steel, galvanized, DN 65 threaded flange, PN 10/16, DIN 2566 with Rp 2½ female thread, incl. 1 set of mounting accessories for DN 65 connection	4015204