



Sedilamella

Inclined plate sedimentation clarifier

Well proven lamella sedimentation technology. Stainless tank with inclined plastic plates that can be removed individually for cleaning or replacement.



Main advantages :

- Lower capital cost than conventional settlement clarifiers.
- Smaller foot print than conventional settlement clarifiers.
- Stainless tank delivered in one piece to reduce site construction time.
- Can be supplied with integral flocculation tank & mixer.
- Large solids hopper to increase sludge consistency by compaction.

Main applications :

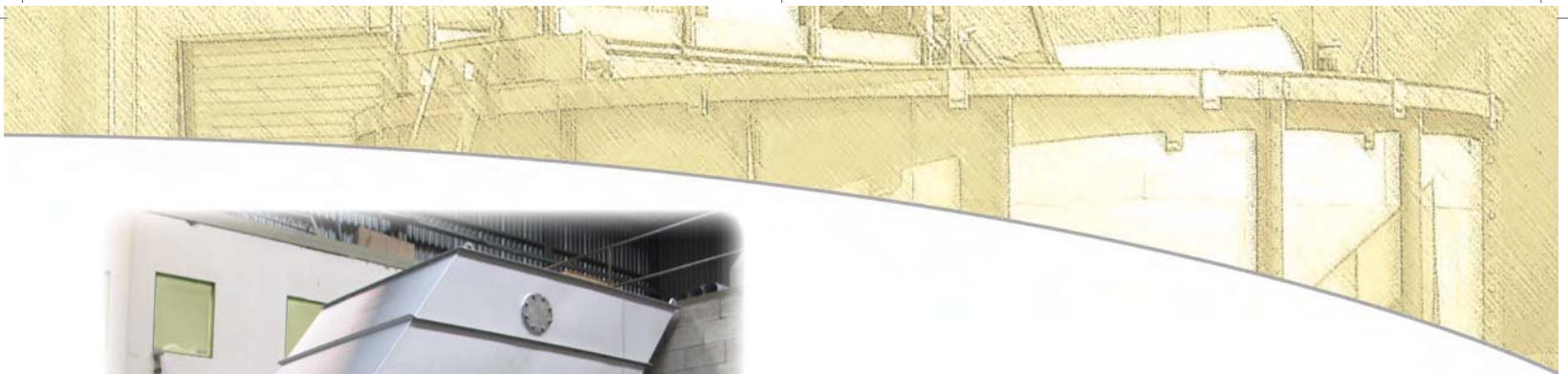
- Suitable for all applications where sedimentation is the preferred technology.

The KWI **SEDILAMELLA** comprises a stainless tank in which individual plastic plates are supported and inclined at the optimum angle of 60°. Two different models are available with either a 50 mm or 80 mm gap between the plates and the choice of model depends on the application.

The capacity depends on the settling velocity of the particles to be removed. The size of the sludge collection hopper is maximised in the KWI design to allow sludge thickening by compression and reduce the length of the time the sludge discharge pump needs to run.

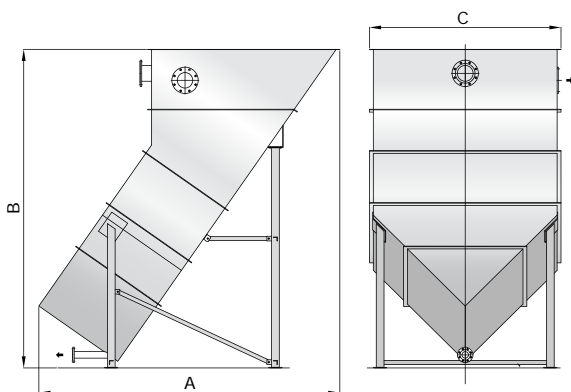
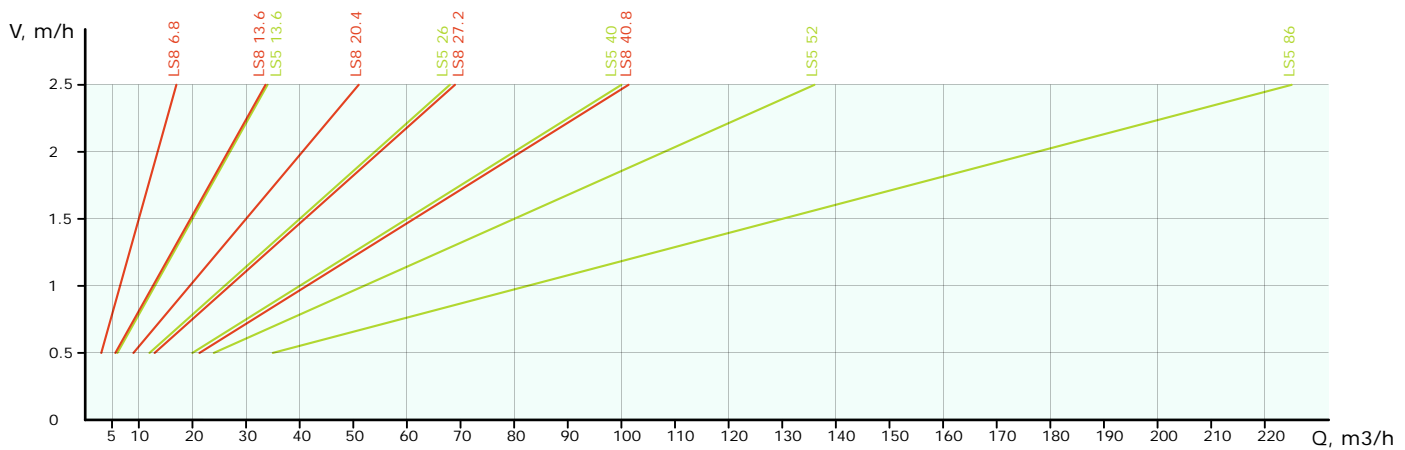
SEDILAMELLA is available in 10 sizes for flows from 5 to 220 m³/h ³/h.





Model LS 5-52

Top view of the lamella plates



Type	Expanded lamella area	A (mm)	B (mm)	C (mm)	Weight tonnes (full of water)
LS5	13,6	3250	3780	1400	4,7
LS5	26	3900	4150	1400	8,4
LS5	40	4450	4150	1350	11,9
LS5	52	3885	4150	2480	14,8
LS5	68	4360	4350	2480	19,2
LS5	86	4950	4700	2480	25,6
LS8	6,8	3250	3780	1400	4,8
LS8	13,6	4000	3780	1400	8,7
LS8	20,4	4450	4150	1350	11,9
LS8	27,2	3980	4150	2480	15,3
LS8	40,8	4700	4400	2480	22,1

Copyright KWI International Environmental Treatment GmbH. All Rights Reserved. No part of this material and/or brochure/catalogue may be reproduced, stored in a retrieval system, or transmitted in any form or by any means, electronic, mechanical, photo-copying, recording or otherwise, without the prior permission of KWI International Environmental Treatment GmbH. All trademark, marks, indicia, logo, trade name, brand name contain in this brochure/catalogue belong to KWI International Environmental Treatment GmbH.

KWI - Headquarters
 KWI International Environmental Treatment GmbH
 Auengasse 8 - A-9170 Ferlach - Austria
 Tel. : +43 4227 3266 - Fax : +43 4227 3449
 E-mail : office-at@kwi-intl.com



www.kwi-intl.com



ISO 9001 / 14001 CERTIFIED

Copyright © KWI International Environmental Treatment GmbH.
 All Rights Reserved.

No part of this material and/or brochure/catalogue may be reproduced, stored in a retrieval system, or transmitted in any form or by any means, electronic, mechanical, photocopying, recording or otherwise, without the prior permission of KWI International Environmental Treatment GmbH.

All trademark, marks, indicia, logo, trade name brand name contain in this brochure/catalogue belong to KWI International Environmental Treatment GmbH.