

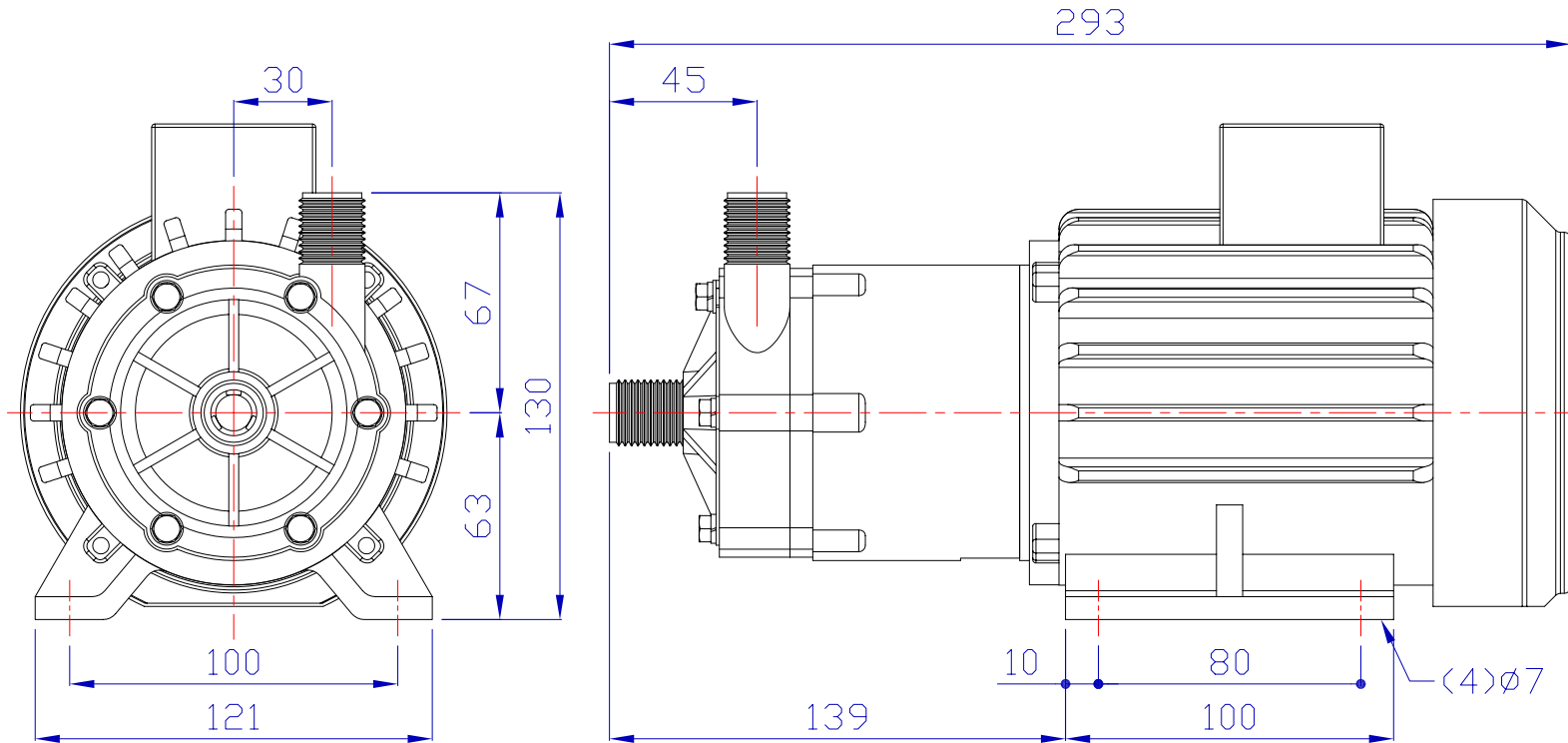
Please contact us if you require a CAD or 3D drawing

MOTOR	
Standard Code:	IEC
Frame:	Pole: 2
Output:	0.09 kw
Phase:	1
Frequency:	50/60 Hz

CONNECTION	
Inlet & Outlet	Outside diameter 20 mm (bore size 14 mm)

Note:

- 1.The total length & weight of the pump will differ depending on the brand of the motor.
- 2.All dimension in millimeter.



Model	Net Wt.(kg)
AM-10T	4.2
AM-F10T	4.3

7 Queensway, New Milton, Hampshire, BH25 5NN T:01425 627700, F: 01425 627711, E: info@crestpumps.co.uk , W:www.crestpumps.co.uk



MODEL	AM-10T
TITLE	OUTLINE DRAWING