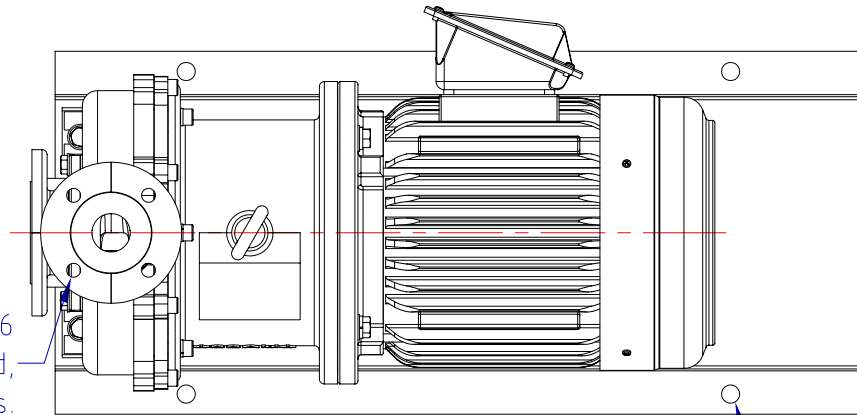
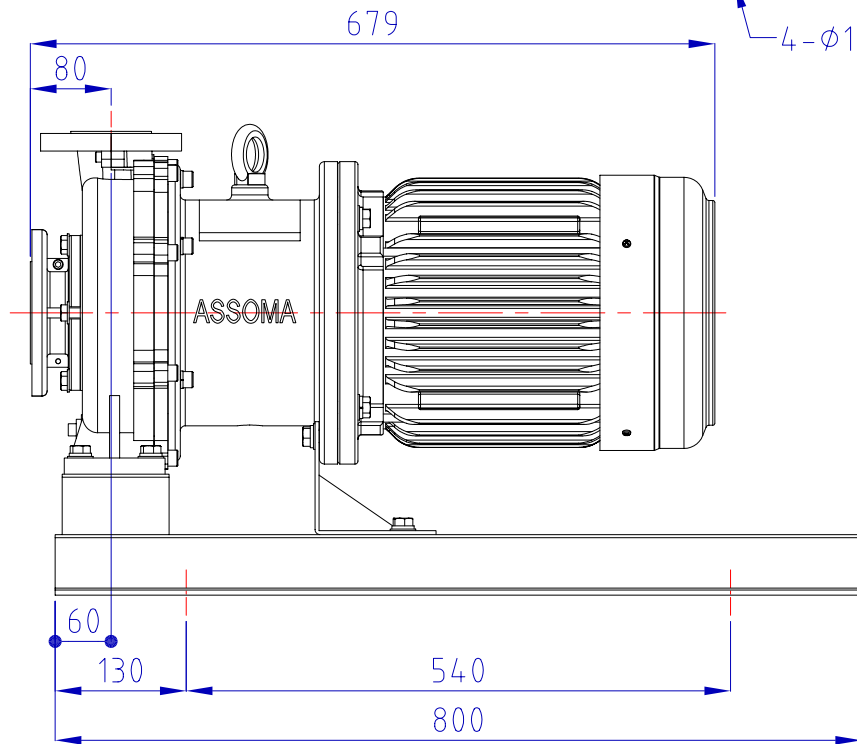
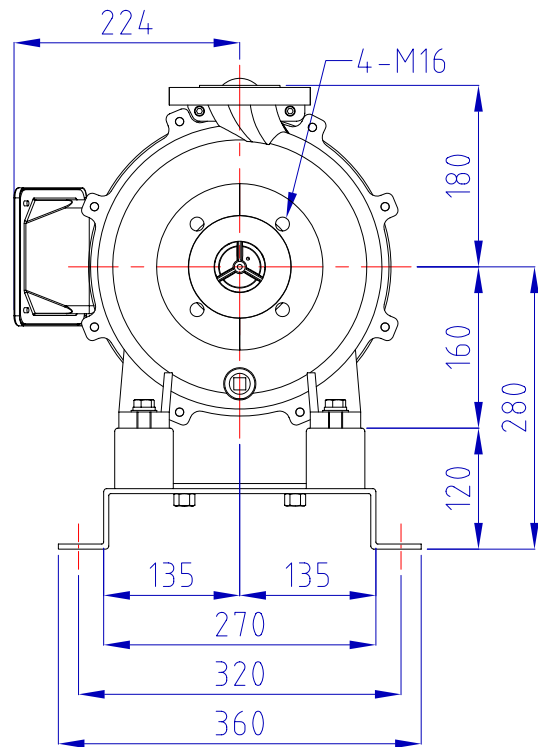


Please contact us if you require a CAD or 3D drawing



4-M16  
The bolt size of connection flange can be selected, M12 for ANSI 150lbx1.5" or M16 for the others.



### MOTOR

|                |              |
|----------------|--------------|
| Standard Code: | IEC          |
| Frame:         | 132S Pole: 2 |
| Output:        | 5.5 / 7.5 kw |
| Frequency:     | 50/60 Hz     |

### FLANGE RATING

|        |                                                     |
|--------|-----------------------------------------------------|
| Inlet  | ANSI 150lbx2"xRF<br>( bore size 2" )                |
|        | DIN NP16x50mmxRF<br>( bore size 50mm )              |
|        | JIS 10Kx50mmxRF<br>( bore size 50mm )               |
| Outlet | ANSI 150lbx1.5"xRF(Standard)<br>( bore size 36mm )  |
|        | ANSI 300lbx1.25"xRF(Optional)<br>( bore size 36mm ) |
|        | DIN NP16x32mmxRF<br>( bore size 36mm )              |
|        | JIS 10Kx32mmxRF<br>( bore size 36mm )               |
|        | JIS 10Kx40mmxRF<br>( bore size 36mm )               |

Note:

- 1.The total length & weight of the pump will differ depending on the brand of the motor.
- 2.All dimension in millimeter.

| Model    | Item | Pump (kg) | Motor (kg) | Net Wt. (kg) |
|----------|------|-----------|------------|--------------|
| AMA-CT-G |      | 67.5      | 67         | 134.5        |
| AMA-CT-J |      | 67.5      | 72         | 139.5        |

7 Queensway, New Milton, Hampshire, BH25 5NN T:01425 627700, F: 01425 627711, E: info@crestpumps.co.uk , W: www.crestpumps.co.uk



MODEL

AMA-CT

TITLE

OUTLINE DRAWING