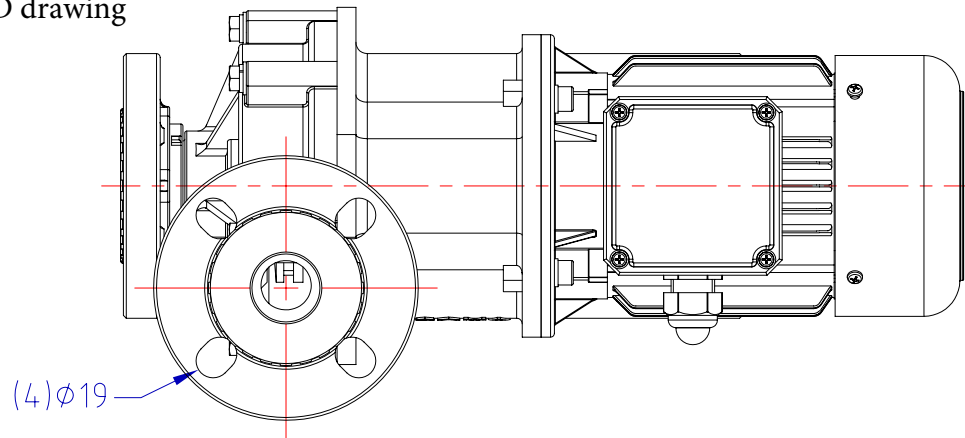


Please contact us if you require a CAD or 3D drawing

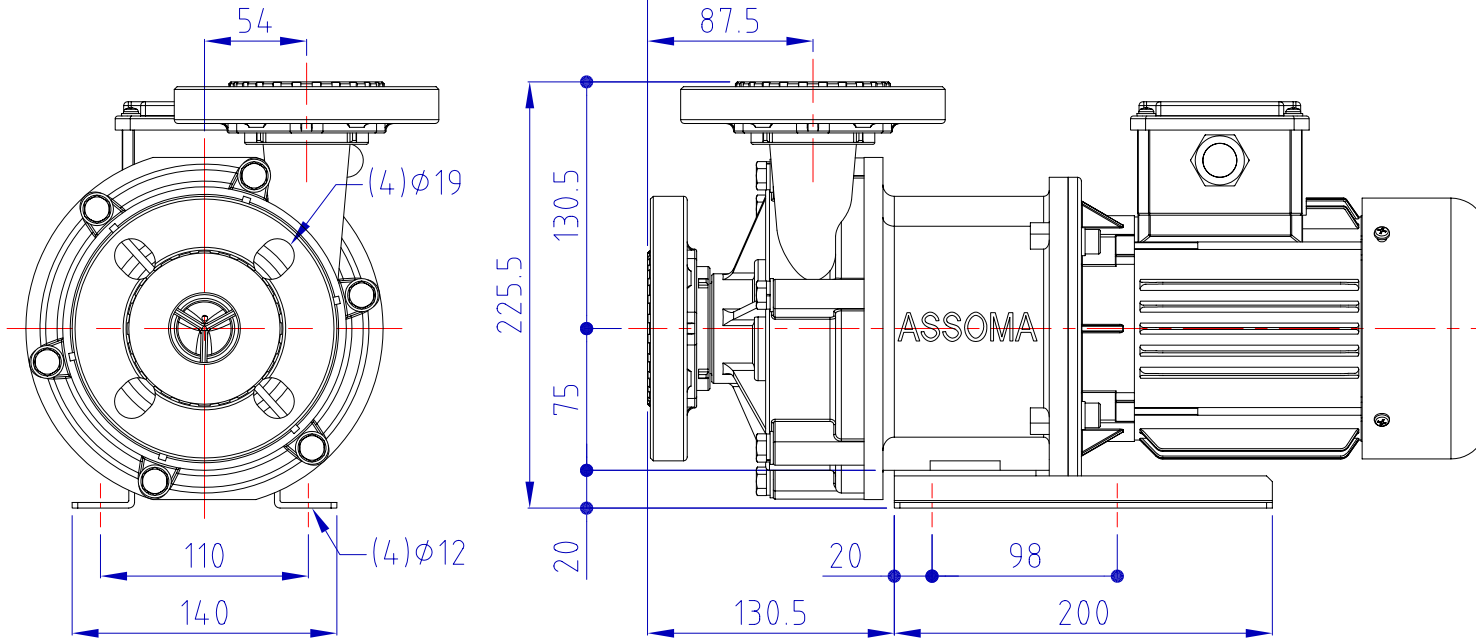


MOTOR	
Standard Code:	IEC
Frame:	71 Pole: 2
Output:	0.4 kW
Frequency:	50/60 Hz

FLANGE RATING	
Inlet & Outlet	ANSI 150lbx1.5"xFRF (bore size 1.5")
	DIN NP10x40mmxRF (bore size 36mm)
	JIS 10Kx40mmxRF (bore size 36mm)

Note:

- 1.The total length & weight of the pump will differ depending on the brand of the motor.
- 2.All dimension in millimeter.



Model	Item	Pump (kg)	Motor (kg)	Net Wt. (kg)
AMX-440FG		7	6.5	13.5
AMX-440FE		8	6.5	14.5

7 Queensway, New Milton, Hampshire, BH25 5NN T:01425 627700, F: 01425 627711, E: info@crestpumps.co.uk , W: www.crestpumps.co.uk



MODEL AMX-440-C

TITLE OUTLINE DRAWING