



Maßblatt PIRANHA 08

Dimension sheet

Plan d'encombrement

No: AN-M.13.161-00

Date/Name: 23.08.01/C.Quirke

Cad Code: G:\ANM12161

Änderungen vorbehalten

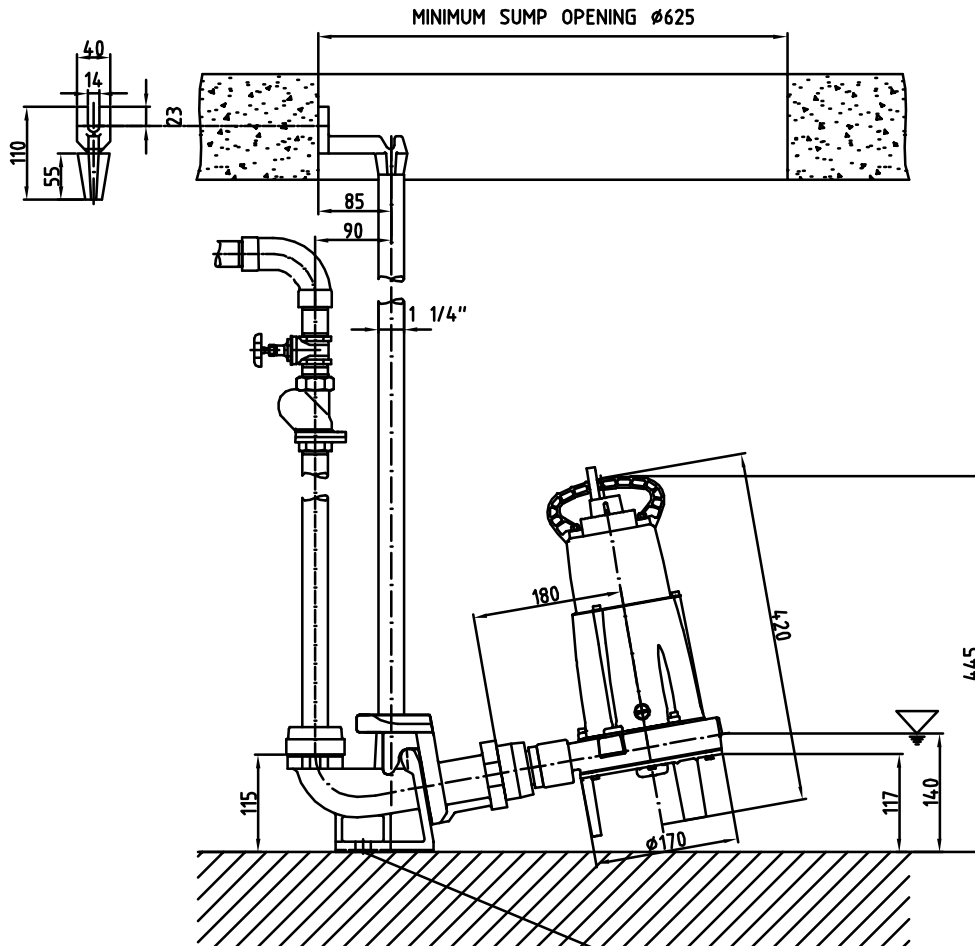
Technical changes reserved

Con riserva di modifiche

Con reserva de modificaciones

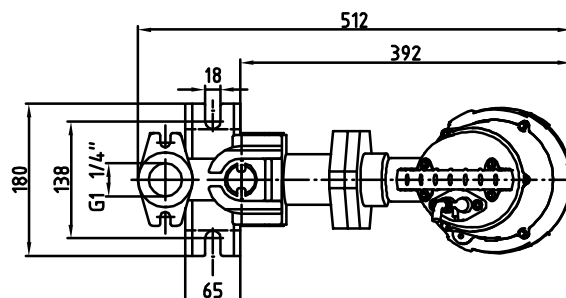
Sous réserve de modification

S.I.



= LOWEST SWITCH OFF POINT FOR AUTOMATIC OPERATION

CONICAL EXPANDING MASONRY
UPBAT B 14/25
DRILL HOLE SIZE 14mm

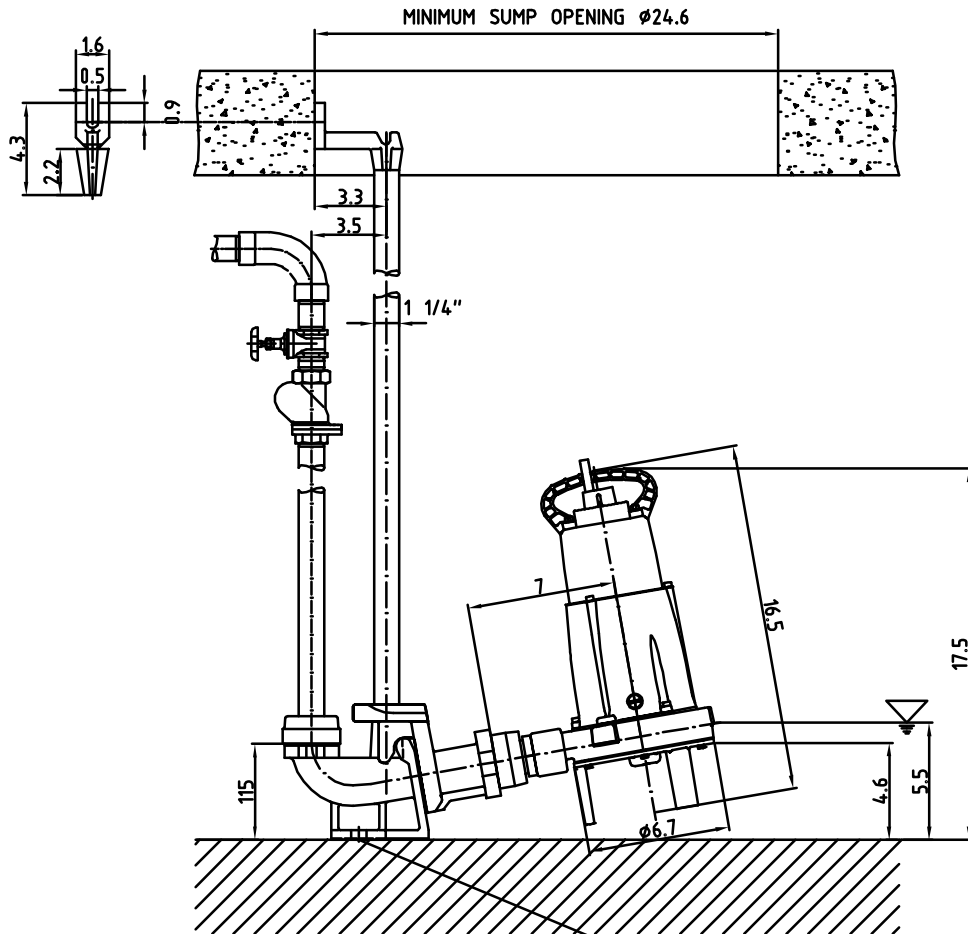




Maßblatt PIRANHA 08
Dimension sheet
Plan d'encombrement

No: AN-M.13.161-00
Date/Name: 23.08.01/C. Quirke
Cad Code: G:\ANM12161
Änderungen vorbehalten Technical changes reserved Con riserva di modifiche Con reserva de modificaciones Sous réserve de modification

U.S.



▽ = LOWEST SWITCH OFF POINT FOR AUTOMATIC OPERATION

CONICAL EXPANDING MASONARY
UPBAT B 14/25
DRILL HOLE SIZE 14mm

