

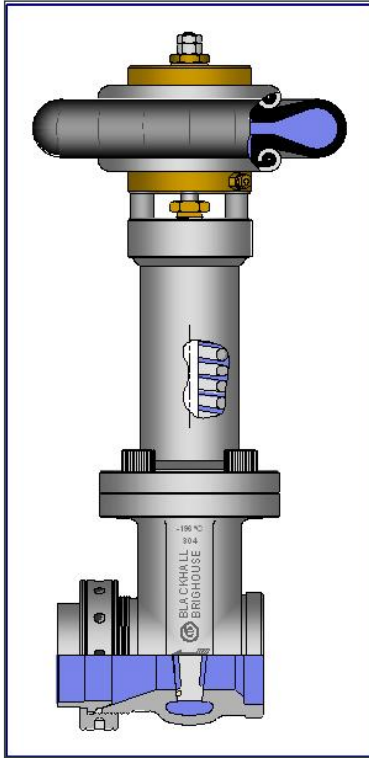


BLACKHALL

cryogenics

SPRING SHUT-OFF GATE VALVE Series 2020

Data sheet No:23



Features

- Fastest Closing Time of any Device of its kind
- Fully Automatic
- Fail Safe
- Fully Rated to -196°C for Oxygen Service
- One Device for all Pressure Ratings up to 40 Bar
- Accurate Closure Point and Repeatability Performance
- Ease of Installation with Optional End Connections
- Low Maintenance
- Cost Effective

Technical Data

Valves have automatic combination pneumatic and mechanical operation

Size Range	:DN 40 (1 ½") to DN 80 (3")
Pressure Rating	:PN 32 as standard
Temperature Range	:-196°C to +65°C
Hydraulic Body Test Pressure	:48 Bar
Pneumatic Seat Test Pressure	:8.8 Bar
Actuator Air Pressure	:4-8 Bar
Fluids/Service	:O ₂ , Ar, N ₂ etc.

Options

- Total flexibility of material selection, to customer specification, i.e. all stainless steel trim and non wetted parts available.
- Various end connections available i.e. socket weld, screwed.

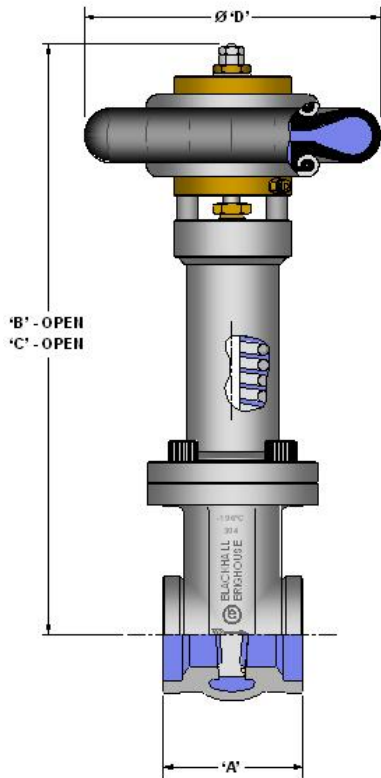


BLACKHALL

cryogenics

SPRING SHUT-OFF GATE VALVE Series 2020

Data sheet No:23



Component	Material
BODY	ST ST/BRONZE
BONNET ASSEMBLY	STAINLESS STEEL
BONNET JOINT	KLINGERSIL C4430
CAPSCREWS	STAINLESS STEEL
STEM	STAINLESS STEEL
SPRING	STAINLESS STEEL
SPRING CARRIER	HT BRASS
WEDGE	NICKEL PLATED ST ST
WEDGE SOFT SEAT	FILLED PTFE
GLAND	HT BRASS
STUFFING BOX WASHER	HT BRASS
PACKING RINGS	WOVEN PTFE
SPACER PILLARS	STAINLESS STEEL
ACTUATOR	STEEL/RUBBER
TOP ACTUATOR PLATE	HT BRASS
BOTTOM ACTUATOR PLATE	HT BRASS
MANUAL LIFT NUT	HT BRASS
LOCKNUT	STAINLESS STEEL
O RING SEALS	NITRILE RUBBER

Nominal Bore (DN)	A Face to Face	B Open	C Closed	D Max.
		mm		
40	110	470	430	231
50	110	520	459	231
65	110	520	459	231
80	150	536	461	231

Technical Data

All valves are degreased to LOX service standard and immediately bagged and ready for despatch. All valves issued with Test Certification and Certificate of Conformity. DIN 50049 3.1.B. Certification on request

Ordering Information

Size	:DN 40 (1 1/2") to DN 80 (3")
Material	:Bronze or Stainless Steel
Pressure Ratings	:ANSI CL 150/300 or PN 16/32
Optional Extras	:See options above
End Fittings	:See options above

