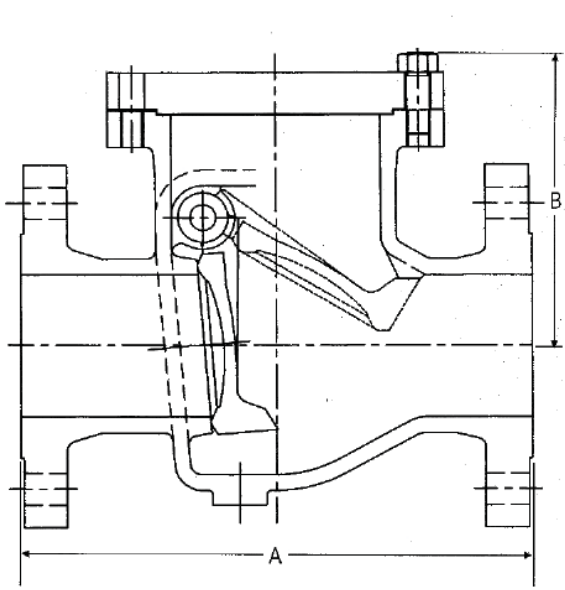


Part Name	Material Options
Body	Titanium
Disc	Duplex
Cover	Super Duplex
Shaft Bearing	Monel 400
	Monel K500
	Hastelloy
	Inconel
	Alloy 20
Cover Gasket	P.T.F.E
Shaft Bush	Graphite
Body/Cover Nuts	Stainless Steel or as
Body/Cover Stud	per Body



Options

- Drain Plug
- Counter Balanced/Loaded Lever & Weight Option
- Emergency Assisted - Closing Type (power check)
- Other Flanges and End Connections Available
i.e. Butt Weld, Socket Weld & Screwed
- Total Flexibility of Material Selection,
to Customer Specification
- Larger Valves 20" (DN500) up to
80" (DN2000) on application
- Blackhall - Brooksbank also
manufacture piston check valves



Normal Size		in mm	1/2	1	1 1/2	2	2 1/2	3	4	6	8	10	12	14	16	18
CLASS 150	A (Flanged RF)	in mm	4 1/4	5	6 1/2	8	8 1/2	9 1/2	11 1/2	14	19 1/2	24 1/2	27 1/2	31	34	38 1/2
	B	in mm	2 1/4	3 1/4	4 1/2	5 3/4	7	7	8	10 1/2	13 1/8	14	17	18	20	21 3/4
CLASS 300	A (Flanged RF)	in mm	5 1/2	8 1/2	9 1/2	10 1/2	12 1/2	12 1/2	14	17 1/2	21	24 1/2	28	33	34	
	B	in mm	2 1/4	3 1/4	4 1/2	5 3/4	7	7	8	10 1/2	13 1/8	14	17	18	20	
CLASS 600	A (Flanged RF)	in mm	-	-	-	11 1/2	14	14	17	22	26	31				
	A (RJF)	in mm	-	-	-	11 5/8	14 1/8	14 1/8	17 1/8	22 1/8	26 1/8	31 1/8				
	B	in mm	-	-	-	7 5/8	9 3/4	9 3/4	11 7/8	13 5/8	17 1/4	20 1/4				
CLASS 900	A (RF)	in mm	-	-	-	14 1/2	15	15	18	24						
	A (RJF)	in mm	-	-	-	14 5/8	15 1/8	15 1/8	18 1/8	24 1/8						
	C	in mm	-	-	-	9 1/4	11 1/4	11 1/4	13 1/4	16 3/8						
CLASS 1500	A (RF)	in mm	-	-	-	14 1/2	18 1/2	18 1/2	21 1/2	27 3/4						
	A (RJF)	in mm	-	-	-	14 5/8	18 5/8	18 5/8	21 5/8	28						
	C	in mm	-	-	-	9 1/4	12	12	13 1/2	20						

Technical Data

- Bolted Bonnet
- Disk Angle for Low Pressure Drop and Quick Closing
- Tight Sealing
- For DN500 (20") and Larger Double and Multi - Door, Configurations Reducing Noise and Size
- Horizontal and Vertical Installation
- Flanges to ANSI B 16.5 and B.S 1560 Raised Face
- Valve Design and Shell Wall Thickness in Accordance to ANSI B. 16.34
- Face to Face in Accordance with ANSI B. 16.10

