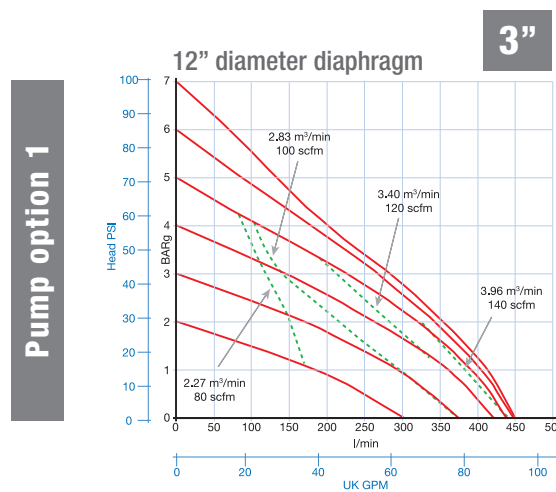
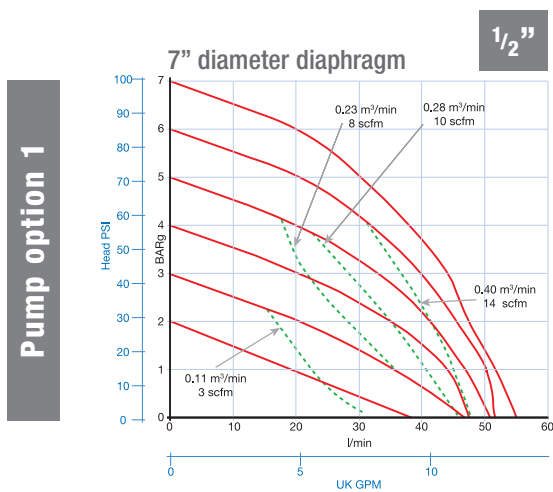


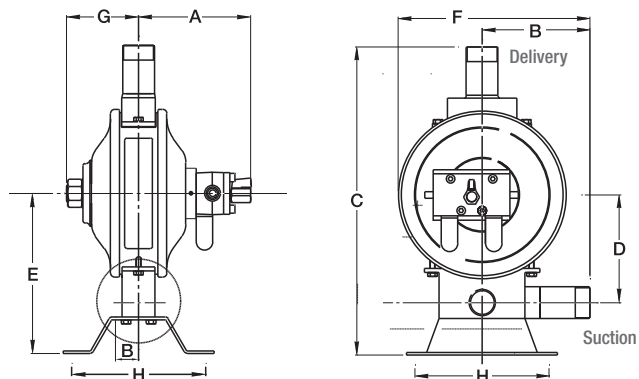
EXAMPLE FLOW RATES

Here are the flow rates using the lowest and highest pump sizes



For flow rates of other pump sizes, please contact us by telephone or visit our website.

The flow rates can also be seen in our company brochure.



Stainless steel range										
Size	A	B	C	D	E	F	G	H	WT/kg	Diaphragm Diameter
½" - 1"	159	117	332	109	175	215	92	160	17	7"
½" - 1"	172	129	425	145	217	255	109	203	25	10"
1½" - 2"	207	163	466	163	242	290	109	203	28	10"
1½" - 2" - 3"	305	180	600	190	300	350	187	250	75	12"
Aluminium range										
½" - 1"	159	89	312	109	175	187	92	160	13	7"
½"-1"-1½"-2"	172	35	437	171	256	254	109	203	22	10"
1½" - 2" - 3"	305	125	520	190	300	295	187	250	50	12"

Maximum operating pressure 7.2 bar (105 PSIG) Dimensions in mm

The One-Nut Double Diaphragm Pump, unique to Flotronic, takes pump performance far beyond traditional style Double Diaphragm pumps. This fast maintenance concept literally turns the conventional pump inside out. Fluid passes between the diaphragms directly through the centre of the pump with air pressure operating on the outside. The pump is held together by one nut on the opposite side of the pump to the external air valve. This design allows in-line diaphragm replacement to be accomplished in less than 15 minutes, with a complete stripdown and rebuild possible in less than 20 minutes.

Flotronic Pumps Limited. Ricebridge Works, Brighton Road, Bolney, West Sussex RH17 5NA. UK
Tel: +44 (0) 1444 881 871 Fax: +44 (0) 1444 881 860

E-mail: sales@flotronicpumps.co.uk Web: www.flotronicpumps.co.uk

Flotronic is a UK registered trade mark

For authentic Flotronic pump spares go to www.flotronicspares.co.uk



Certificate No. 6597



Literature F Series Leaflet - 07/08

FLOTTRONIC®
ONE-NUT™ PUMPS

F-Series Slimline

The number 1 pump for chemical, pharmaceutical, bio-pharma and clean applications

www.flotronicpumps.co.uk

F-Series Slimline

- Available in 1/2" to 3", with 7", 10" or 12" diameter diaphragms
- Machined from solid material, these compact and self-draining pumps are available in stainless steel, aluminium and also exotic metals, including Hastelloy®.
- **Only "ONE-NUT" to access diaphragms with the pump 'in-line'.**
- **Only four nuts and bolts to access the balls valves.**
- **Only four bolts to maintain air valve with pump 'in-line'.**
- **Atex compliance up to Gas Group IIC**
- No internal welding, so crevice free design, ideal for clean and hygienic applications.
- Self-draining body.
- Electro-polished, and hand polished options.
- Surface finish to 0.03RA* available.
- Hot water / steam jacket available.
- Screwed, hygienic or flanged connections.
- Excellent for viscous products such as creams.
- **OPTIONS INCLUDE DIAPHRAGM RUPTURE PROTECTION SYSTEMS, SENTINAL ALARM DIAPHRAGM RUPTURE WARNING SYSTEMS AND MANY MORE...**



*average surface finish .33RA.
Standard Finish 1.5RA

A fast maintenance air-driven double diaphragm pump for both process and simple transfer applications.

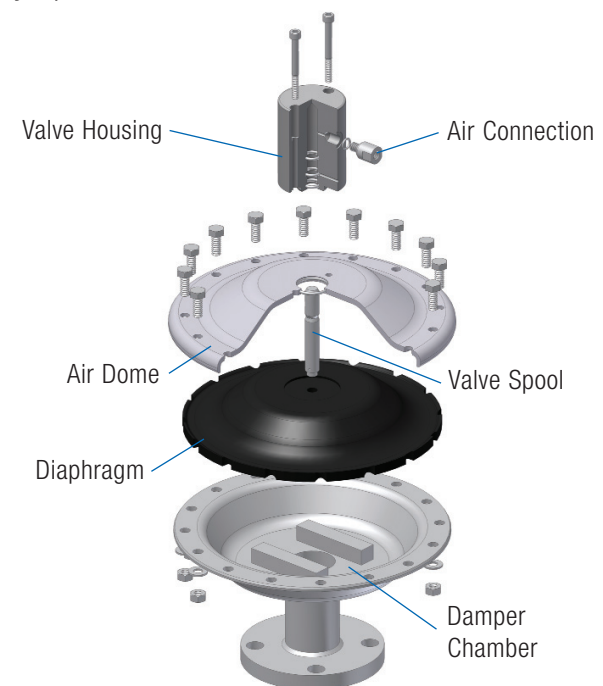
WE HAVE THE PERFORMANCE TO MATCH YOUR REQUIREMENTS!

Customise your Flotronic F-Series Slimline pump

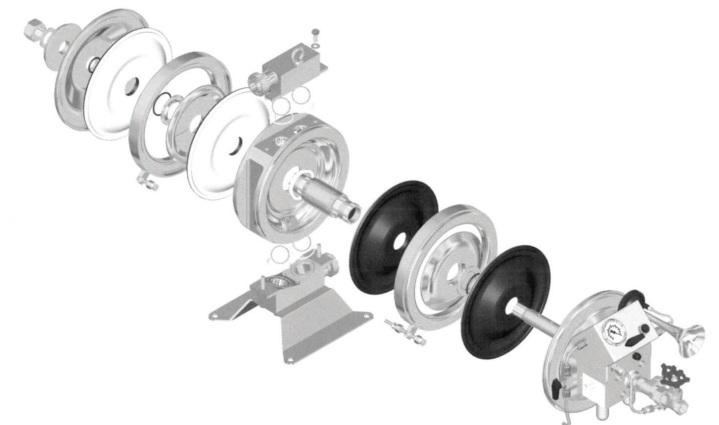
- See your Flotronic Pumps representative about all your pump options to optimise your world class Flotronic F-Series Slimline pump.
- Sentinel Alarm, counters, trolleys, hoses, strainers, filter regulators, dip tubes... Just Ask!

Want to take the shake out of your pipes? Fit Flotronic Pulsation Dampers.

Unique design eliminates the need for recharging Flotronic's dampers differ from other pulsation damper designs in that they utilise a constant air supply to maintain a 'live loaded' diaphragm. By using standard factory air that is regulated to an optimum pressure - relative to damper position - all the problems associated with recharging are eliminated. Eliminate vibration and associated problems by up to 95%



**Is your product too valuable to lose?
Need protection from carcinogens?
You need the Flotronic Diaphragm Rupture Protection System.**



The "Guardian" rupture protection system can be fitted to all Flotronic Pumps. With this system a secondary chamber is created by an additional diaphragm behind each of the primary pump diaphragms to capture liquid upon primary diaphragm rupture. This chamber can be in low-cost Polypropylene or a material to match the pump wetted body.

