

MODEL**3/4V**

3 & 4 WAY DIVERTER VALVES

The **3V** and **4V** models are diverter valves designed to handle solid loaded fluids. Mainly used for pulp stock in the Pulp and Paper industry.

Sizes: DN 80 to DN 300 (larger diameters on request)

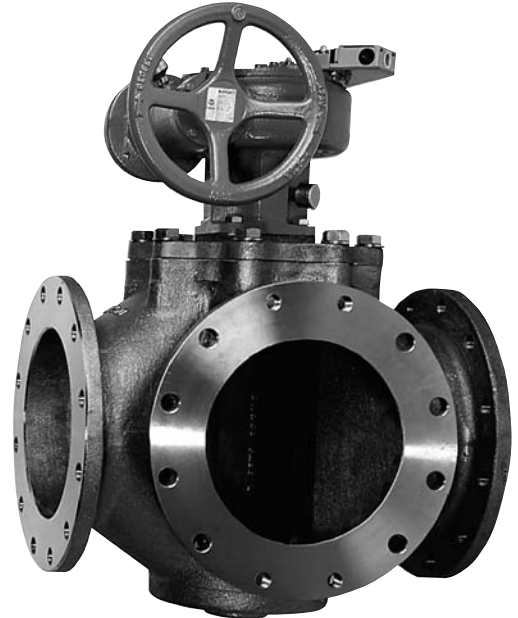
Working pressure: DN 80 to DN 300: 10 kg/cm²

Standard actuator: Handwheel w/ Bevel gear
Pneumatic double acting
Other: Electric actuator

Standard flange connection: DIN PN 10 and
ANSI B16.5 (class 150)

Other connections: on request

All valves are tested prior to shipping in accordance with the standard developed by the Quality Control Department at ORBINOX.



STANDARD PARTS LIST

Part:	Cast Iron:	Stainless steel:
Body	GJL 250 (GG25)	CF8M
Cover	GJL 250 (GG25)	CF8M
Plug	AISI 304	AISI 316
Seat	Metal/Metal	

DESIGN FEATURES

BODY:

Cast monoblock design with reinforced ribs in larger diameters for extra body strength. Internal design avoids any build up of solids that would prevent valve from closing.

PLUG:

Cast machined stainless steel ensures tight shut-off to the pulp with consistency equal or higher than 4%. Guided by a nylon bearing, designed to avoid jamming, permits several positions, including central passage in some models.

EPOXY COATING:

The epoxy coating on all **ORBINOX** cast iron and carbon steel valve bodies and components are electrostatically applied making the valves to be corrosion resistant with a high quality finished surface. The **ORBINOX** standard colour is RAL-5015 blue.

OTHER MATERIALS

RILSAN coating and other materials (carbon steel, stainless steels, special alloys,...) for body and plug are available on request.



Reserves the right to change specifications without notice

OBX 12/04 6th EDITION

3-4V-1

ORBINOX SA Pol. Ind. s/n-20270 ANOETA (Spain) Tel.: +34 943 698030 - Fax: +34 943 653066 e-mail:orbinox@orbinox.com

ORBINOX COMERCIAL, ORBINOX CANADA, ORBINOX USA, ORBINOX UK, ORBINOX INDIA

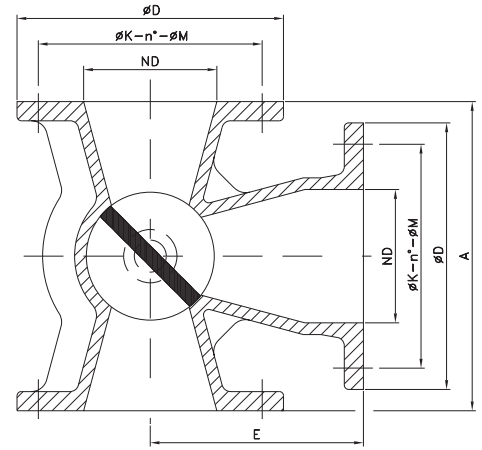
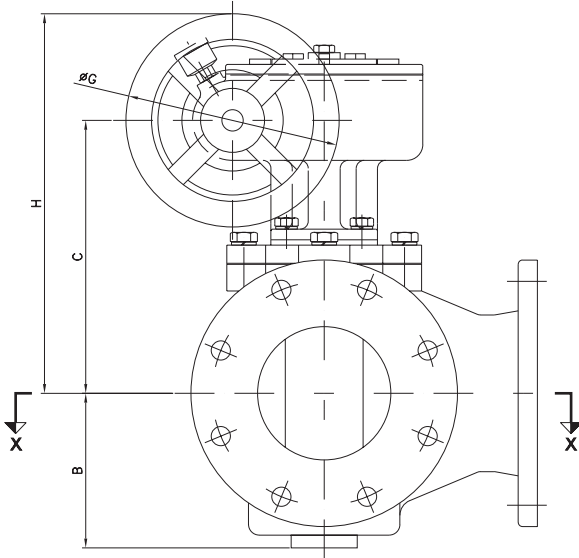
www.orbinox.com

MODEL

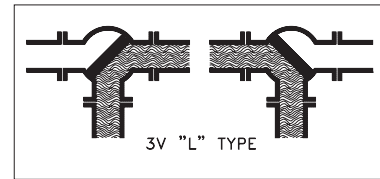
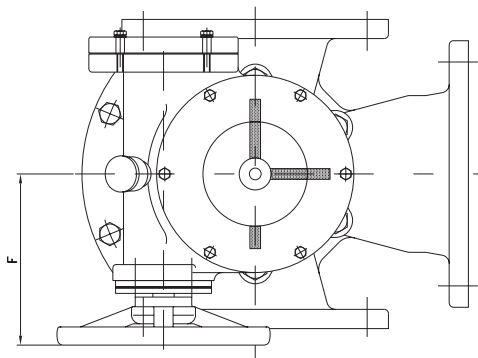
3/4V



3V TYPE "L"



SECTION X-X



DN	A	B	C	ØD	E	F	ØG	H
80	200	127	250	200	137,5	192	225	350
100	250	128	250	220	162,5	192	225	350
125	290	145	265	250	200	192	225	365
150	290	165	285	285	200	192	225	385
200	345	210	335	340	225	192	225	435
250	415	250	425	395	272,5	180	225	550
300	470	294	450	445	287,5	180	225	575

Reserves the right to change specifications without notice

ORBINOX SA Pol. Ind. s/n-20270 ANOETA (Spain) Tel.: +34 943 698030 - Fax: +34 943 653066 e-mail:orbinox@orbinox.com

ORBINOX COMERCIAL, ORBINOX CANADA, ORBINOX USA, ORBINOX UK, ORBINOX INDIA

www.orbinox.com

OBX 12/04 6th EDITION

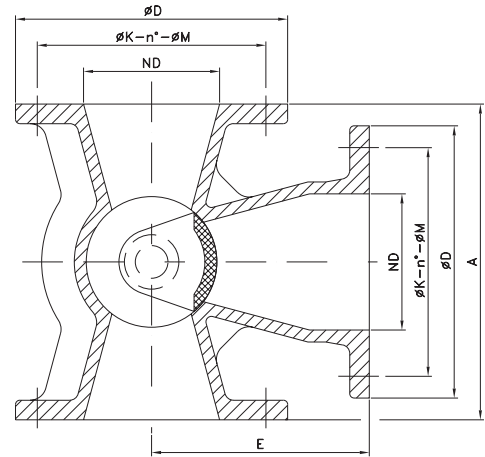
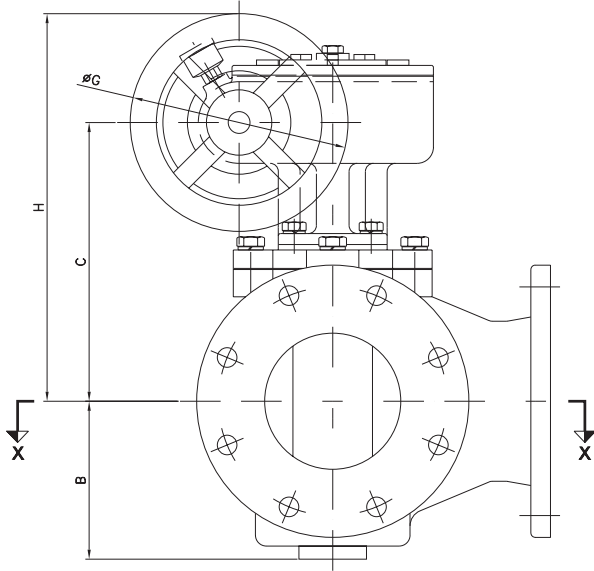
3-4V-2

MODEL

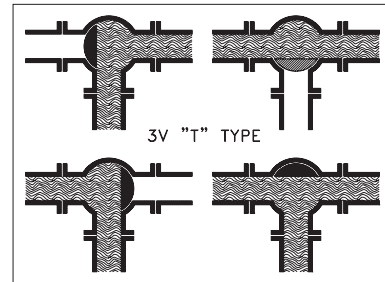
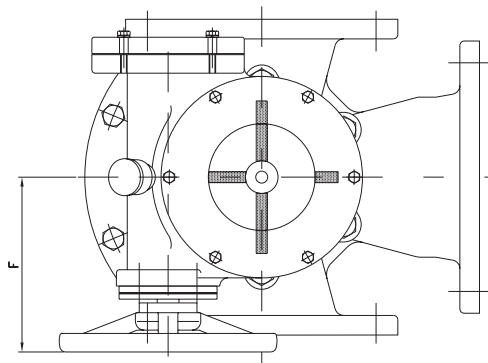
3/4V



3V TYPE "T"



SECTION X-X



DN	A	B	C	ØD	E	F	ØG	H
80	200	127	250	200	137,5	192	225	350
100	250	128	250	220	162,5	192	225	350
125	290	145	265	250	200	192	225	365
150	290	165	285	285	200	192	225	385
200	345	210	335	340	225	192	225	435
250	415	250	425	395	272,5	180	225	550
300	470	294	450	445	287,5	180	225	575

Reserves the right to change specifications without notice

ORBINOX SA Pol. Ind. s/n-20270 ANOETA (Spain) Tel.: +34 943 698030 - Fax: +34 943 653066 e-mail:orbinox@orbinox.com

ORBINOX COMERCIAL, ORBINOX CANADA, ORBINOX USA, ORBINOX UK, ORBINOX INDIA

www.orbinox.com

OBX 12/04 6th EDITION

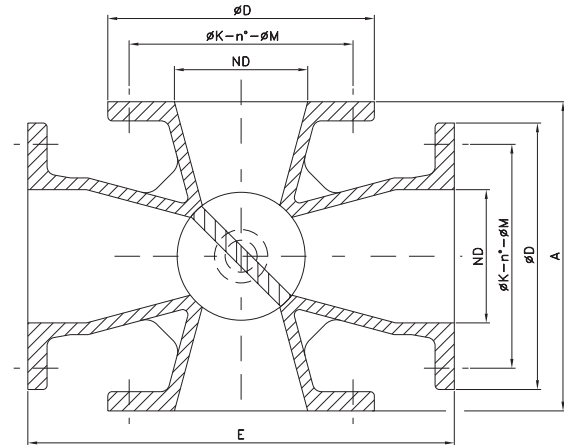
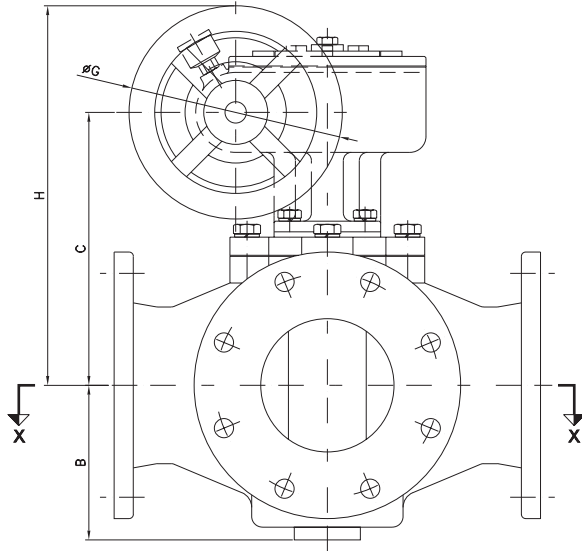
3-4V-3

MODEL

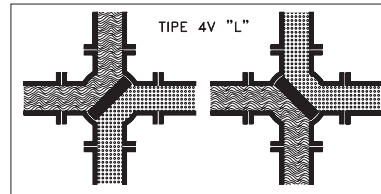
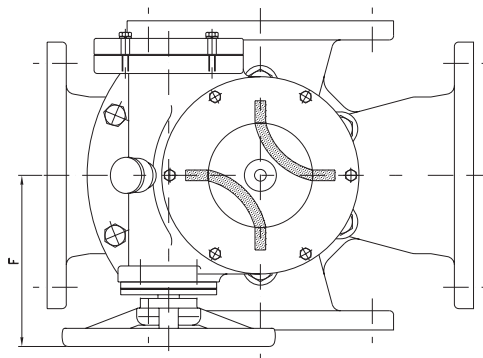
3/4V



4V TYPE "L"



SECTION X-X



DN	A	B	C	ØD	E	F	ØG	H
80	200	127	250	200	275	192	225	350
100	250	128	250	220	325	192	225	350
125	290	145	265	250	400	192	225	365
150	290	165	285	285	400	192	225	385
200	345	210	335	340	450	192	225	435
250	415	250	425	395	545	180	225	550
300	470	294	450	445	575	180	225	575

Reserves the right to change specifications without notice

ORBINOX SA Pol. Ind. s/n-20270 ANOETA (Spain) Tel.: +34 943 698030 - Fax: +34 943 653066 e-mail:orbinox@orbinox.com

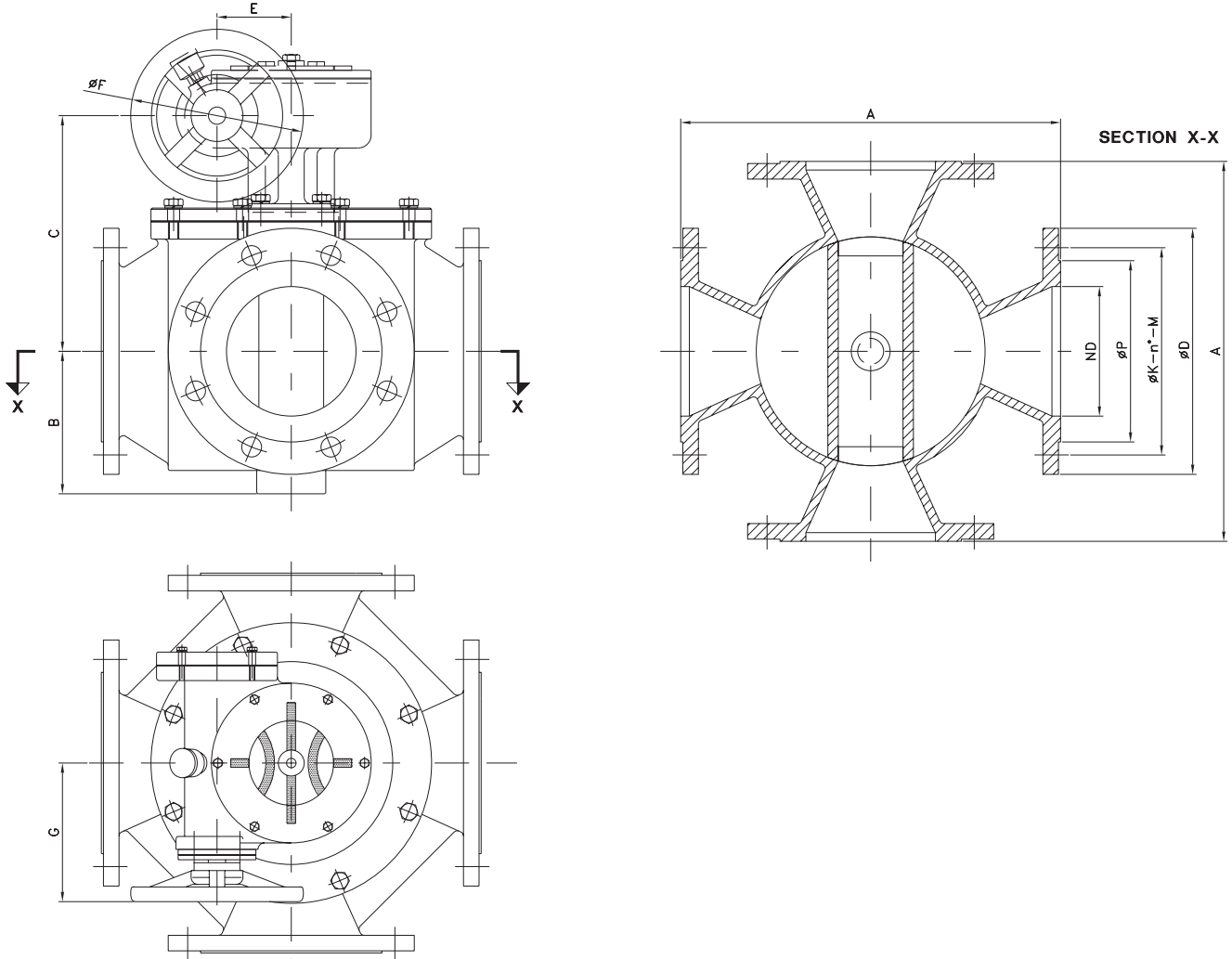
ORBINOX COMERCIAL, ORBINOX CANADA, ORBINOX USA, ORBINOX UK, ORBINOX INDIA

www.orbinox.com

OBX 12/04 6th EDITION

3-4V-4

MODEL**3/4V**


ORBINOX
4V TYPE "B"

DN	A	B	C	ØD	E	ØF	G	ØP
80	280	105	221	200	86	225	192	132
100	248	128	232	220	86	225	192	152
125	380	145	261	250	86	225	192	180
150	440	165	273	285	86	225	262	210
200	550	204	312	340	86	225	262	250
250	650	231	348	395	86	225	173	320

Reserves the right to change specifications without notice

ORBINOX SA Pol. Ind. s/n-20270 ANOETA (Spain) Tel.: +34 943 698030 - Fax: +34 943 653066 e-mail:orbinox@orbinox.com

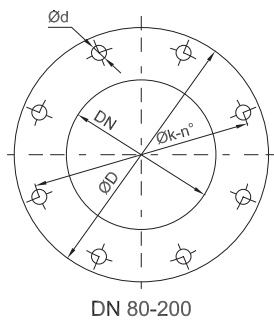
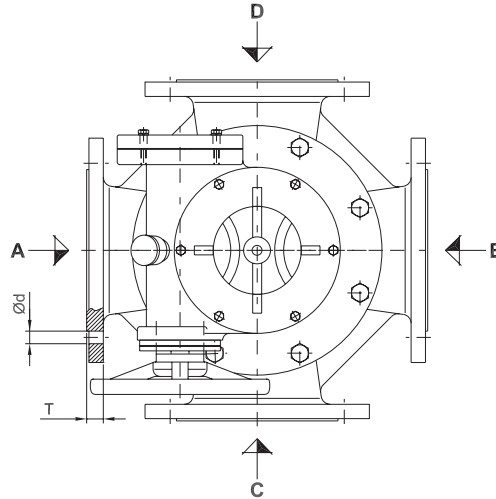
ORBINOX COMERCIAL, ORBINOX CANADA, ORBINOX USA, ORBINOX UK, ORBINOX INDIA
www.orbinox.com
OBX 12/04 6th EDITION**3-4V-5**

MODEL

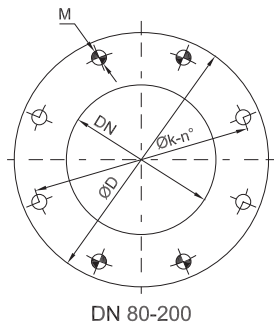
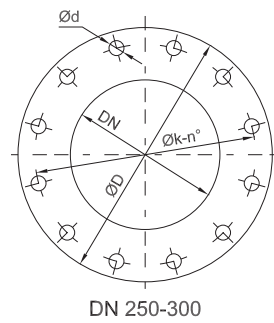
3/4V



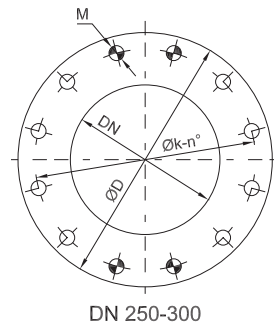
FLANGE AND BOLTING DETAILS



A - B



C - D



BLIND TAPPED BOLTS



THROUGH BOLTS

DIN PN 10

DN	D	K	n°	Ød	M	T
80	200	160	8	18	M-16	15
100	220	180	8	18	M-16	18
125	250	210	8	18	M-16	20
150	285	240	8	23	M-20	20
200	340	295	8	23	M-20	20
250	395	350	12	23	M-20	20
300	445	400	12	23	M-20	22

Reserves the right to change specifications without notice

ORBINOX SA Pol. Ind. s/n-20270 ANOETA (Spain) Tel.: +34 943 698030 - Fax: +34 943 653066 e-mail:orbinox@orbinox.com

ORBINOX COMERCIAL, ORBINOX CANADA, ORBINOX USA, ORBINOX UK, ORBINOX INDIA

www.orbinox.com

OBX 12/04 | 6th EDITION

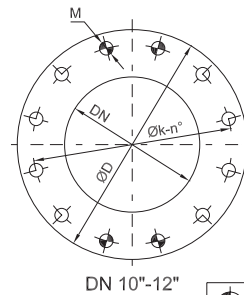
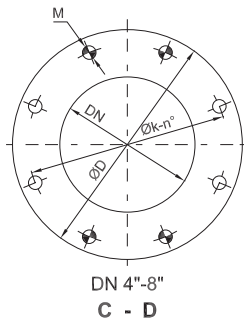
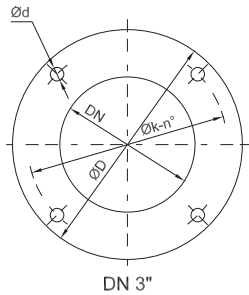
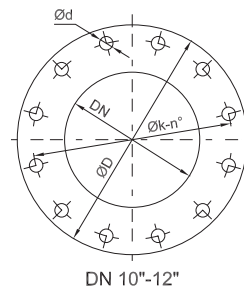
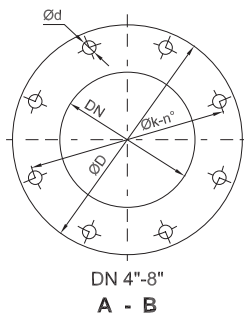
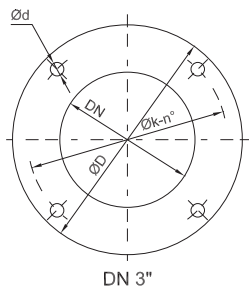
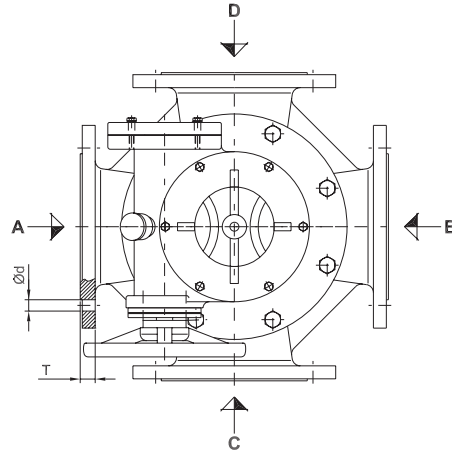
3-4V-6

MODEL

3/4V



FLANGE AND BOLTING DETAILS



BLIND TAPPED BOLTS



THROUGH BOLTS

ANSI 150

DN	D	K	n°	Ød	M	T
3"	191	152,5	4	3/4"	5/8"	15
4"	229	190,5	8	3/4"	5/8"	18
5"	254	216	8	7/8"	3/4"	20
6"	279	241,5	8	7/8"	3/4"	20
8"	343	298,5	8	7/8"	3/4"	20
10"	406	362	12	1"	7/8"	20
12"	483	432	12	1"	7/8"	22

Reserves the right to change specifications without notice

ORBINOX SA Pol. Ind. s/n-20270 ANOETA (Spain) Tel.: +34 943 698030 - Fax: +34 943 653066 e-mail:orbinox@orbinox.com

ORBINOX COMERCIAL, ORBINOX CANADA, ORBINOX USA, ORBINOX UK, ORBINOX INDIA

www.orbinox.com

OBX 12/04 | 6th EDITION

3-4V-7