

MODEL**EK**

WAFER STYLE KNIFE GATE VALVE

The **EK** model knife gate is an uni-directional wafer valve designed for general industrial service applications. The design of the body and seat assures non-clogging shut off on suspended solids in industries such as:

- Pulp and Paper
- Wastewater treatment plants
- Food and Beverage
- Mining
- Power plants
- Chemical plants
- Bulk handling
- etc.

Sizes: ND 50 to ND 800 (larger diameters on request)

Working pressure: ND 50 to ND 250: 10 kg/cm²
 ND 300 to ND 400: 6 kg/cm²
 ND 450: 5 kg/cm²
 ND 500 to ND 600: 4 kg/cm²
 ND 700 to ND 800: 2 kg/cm²

Standard flange connection: DIN PN 10

Note: other flange connections are available on request such as:

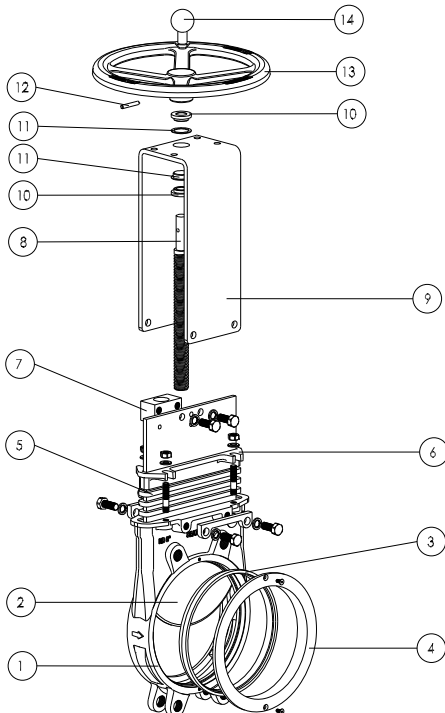
ANSI B16.5 (class 150) DIN PN 6 DIN PN 16
 DIN PN 25 BS "D" and "E" ANSI 125

Directives: DIR 98/37/CE (MACHINES)

DIR 97/23/CE (PED) Fluid: Group 1(b), 2 (Cat. I, mod. A)
 DIR 94/9/CE (ATEX) Group II, Cat. 3: zones 2 and 22



All valves are tested prior to shipping in accordance with the standard developed by the Quality Control Department at ORBINOX.



STANDARD PARTS LIST

Part:	Material:	
1- Body	CF8M	GJL 250 (GG25)
2- Gate	AISI 316	AISI 304
3- Seat	EPDM	
4- "K" Ring	AISI 316	
5- Packing	Dynapack (Graphite impregnated PTFE and Aramid yarn combination with an elastomeric core)+ (EPDM O-ring)	
6- Gland	CF8M	
7- Stem nut	Brass	
8- Stem	AISI 303	
9- Yoke	AISI 304	
10- Bushing	Brass	
11- Bushing + washer	Nylon	
12- Spring Pin	Steel DIN1481	
13- Handwheel	∅≤310: Aluminium ∅≥410: GJL250(GG25)	
14- Knob	Black bakelite	



Reserves the right to change specifications without notice

ORBINOX SA Pol. Ind. s/n-20270 ANOETA (Spain) Tel.: +34 943 698030 - Fax: +34 943 653066 e-mail:orbinox@orbinox.com

ORBINOX CANADA, ORBINOX USA, ORBINOX COMERCIAL, ORBINOX UK, ORBINOX FRANCE, ORBINOX GERMANY, ORBINOX INDIA, ORBINOX CHINA

www.orbinox.com

OBX 03/06 1st EDITION

EK-1

DESIGN FEATURES

BODY:

Wafer style cast stainless steel **monoblock** with raised face, with reinforced ribs in larger diameters for extra body strength.

Internal cast-in gate wedges and guides allows for tighter shut-off.

Full port design for greater flow capacity and minimal pressure drop.

Internal design avoids any build up of solids that would prevent valve from closing.

GATE:

Stainless steel gate as standard.

Gate is polished on both sides to avoid jamming and seat damage.

Bottom of the gate edge is machined to a bevel to cut through solids for a tighter seal in the closed position. On request: thickness and/or material of the gate can be changed for higher pressure requirement.

SEAT: (resilient)

Unique design that mechanically locks the seat in the internal of the valve body with a cast, easy to replace, stainless steel seat ring.

Standard EPDM also available in different materials such as PTFE, etc.

PACKING:

Long-life packing with several graphite impregnated PTFE and Aramid yarn combination with an elastomeric core, plus an EPDM O-ring with an easy access packing gland ensuring a tight seal. Long-life braided packing is available in a wide range of materials.

STEM:

The standard stainless steel stem offers a long corrosion resistant life.

For rising stem handwheel actuators only, a stem protector is provided for additional protection against dust while the valve is in the open position.

ACTUATORS:

All actuators supplied by **ORBINOX** are interchangeable, and supplied with an standard mounting kit to allow for installation on site.

YOKE or ACTUATOR SUPPORT:

Made of stainless steel (EPOXY coated steel available on request).

Compact design makes it extremely robust even under the most severe conditions.

EPOXY COATING:

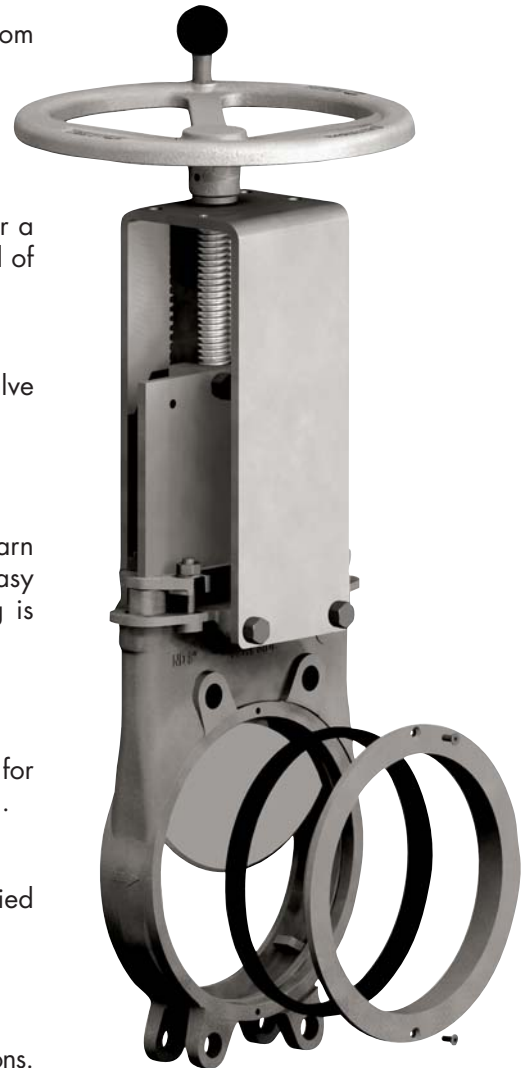
The epoxy coating on all **ORBINOX** cast iron and carbon steel components is electrostatically applied making the valves to be corrosion resistant with a high quality finished surface.

The **ORBINOX** standard colour is RAL-5015 **blue**.

GATE SAFETY PROTECTION:

ORBINOX automated valves are provided with gate guards in accordance with EU Safety Standards.

The design feature prevents any objects from being caught accidentally while the gate is moving.



OTHER OPTIONS

Gate guards for actuators with proximity switches (Fig.1):

It has been made a special design which allows horizontal and parallel mounting of the proximity switches including protection to them.

Bonnet:

Assures tight sealing to atmosphere for using with hazardous gas or fluids.

Reduces packing maintenance.

Flush ports:

Allow for cleaning of solids trapped within the body cavities that can obstruct the flow or prevent the valve from closing.

Purging can be made with air, steam, liquids, etc. depending on the process.

Other materials of construction:

Special alloys such as 1.4449 (AISI 317), 1.4547 (254SMO), Hastelloys, Titanium, etc.

Fabricated valves:

ORBINOX is equipped for in house fabrication of special valves. Depending on the design, diameter, pressures, construction material, etc.



Fig.1

SURFACE TREATMENTS

Valve components can be protected or coated for a longer life expectancy, depending on the application and the service conditions.

At **ORBINOX** we can offer treatments and coatings for the valve components to improve the properties against **abrasion** (Stellite, Polyurethane...), **corrosion** (Halar, Rilsan, Galvanised...) and **adherence** (Polishing, PTFE...).



Fig.2

We recommend consultation with our technical department.

ACTUATOR TYPES

Manual:

- Handwheel (rising & non-rising stem)
- Chainwheel
- Lever
- Bevel Gear
- Other (square nut...)

Automatic:

- Electric
- Pneumatic
- Hydraulic

All actuators supplied by ORBINOX are interchangeable.

Accessories:

- Mechanical Stops
- Actuator manual override
- Positioners
- Proximity Switches
- Stem extensions

- Locking device. **Fig. 1.**
- Solenoid valves
- Limit Switches
- Floor stands

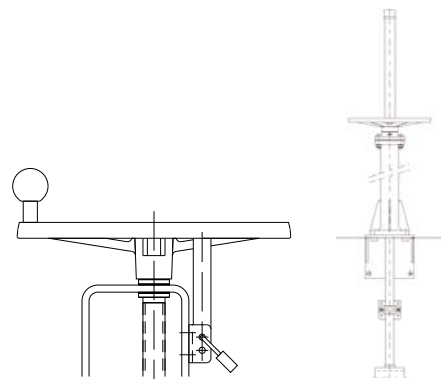
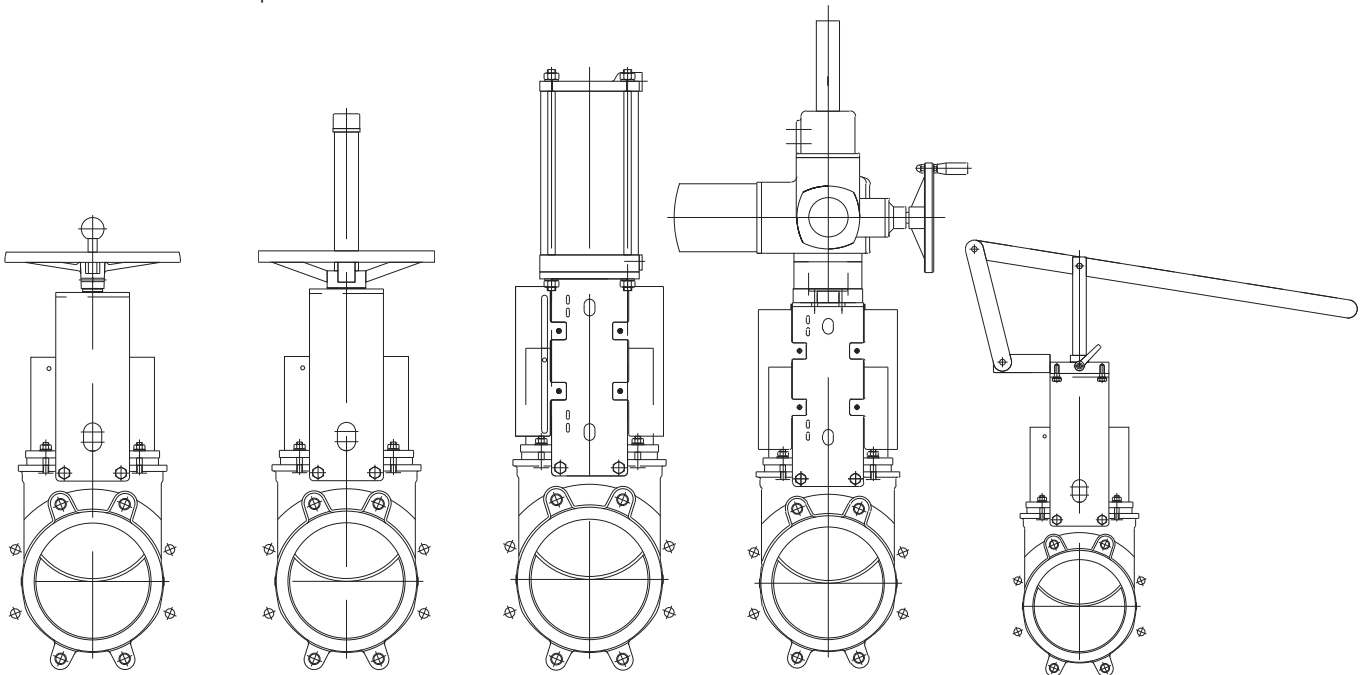


Fig. 1.

Wide range of valve extensions available.

Please consult our technical department.



**Standard Handwheel
(Non Rising Stem)**

**Handwheel
(Rising Stem)**

**Pneumatic
Cylinder**

Electric

Lever

TEMPERATURE CHART

SEAT / SEALS			PACKING		
Material	Max.Temp.(°C)	Applications	Material	Max. Temp. (°C)	pH
Metal/Metal	>250	High temp. Low tightness.	Dynapack (DP)	270	2 - 14
EPDM (E)	120	Acids and non mineral oils.	Braided PTFE (TH)	260	0 - 14
Nitrile (N)	120	Resistance to petroleum products.	Graphited (GR)	600	0 - 14
Viton (V)	200	General chemical service. High temperature.	Ceramic fibre (FC)	1200	—
Silicone (S)	250	Food service. / High temperature.	NOTE: all types include an elastomere O-ring (same material as seal).		
PTFE (T)	250	Corrosion resistance.			
Polyurethane	90	Abrasion resistance.			

More details and other materials under request.

SEAT TYPES

TYPE "K" SEAT (EPDM)



- Standard replaceable resilient EPDM seat.
- Replaceable stainless steel ring.

METAL / METAL



- For applications with:
- High temperature
 - High density media application
 - When full tightness is not required

TYPE "K" SEAT (PTFE)



- Replaceable resilient PTFE + O-ring seat.
- Replaceable stainless steel ring.

DEFLECTION CONE "C"



- Deflects the media away from any internal exposed parts of the valve such as gate guides, seat, etc.
- Different types of material available such as AISI 316 stainless, CA15, Ni-Hard, etc.

POLYURETHANE

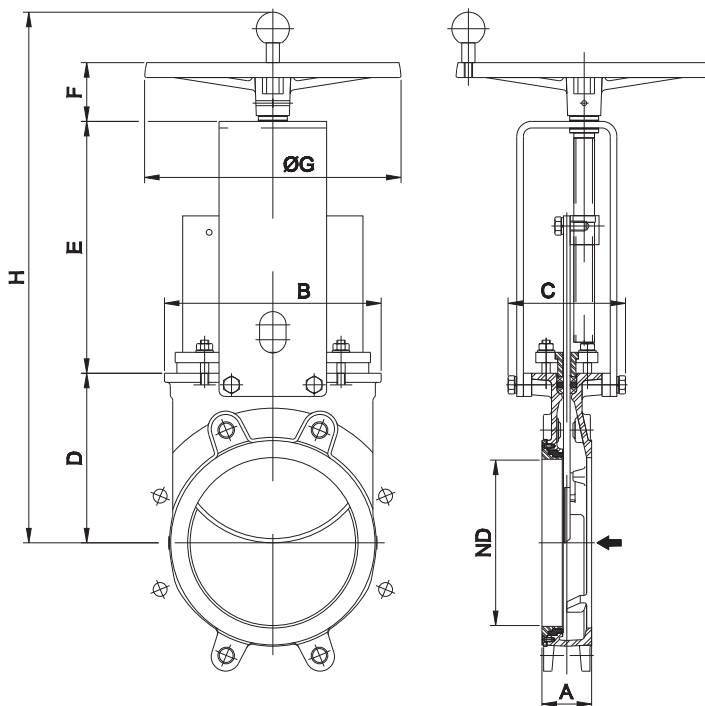


- Replaceable polyurethane seat ring.

Face to face dimension increase:
 ND 50 to ND 250 X = 9mm
 ND 300 to ND 600 X = 12mm
 Larger diameters on request.

HANDWHEEL (non-rising stem)

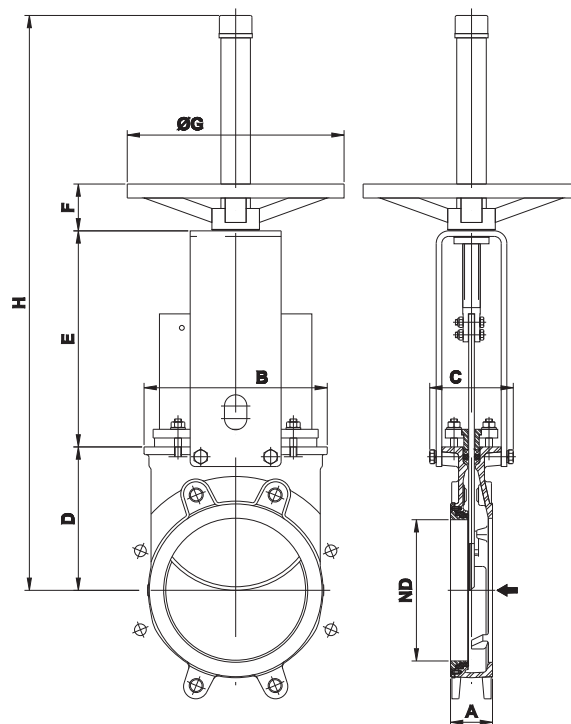
- Standard handwheel actuator
 ND 50-300: Aluminium handwheel
 ND ≥ 350: GJL250 (GG25) handwheel
- Recommended for installation where space is limited.
- Consists on:
 - Handwheel with knob
 - Stem
 - Yoke bushing
 - Stem nut fixed to the gate
- Available from ND 50 to ND 800
- Options:
 - Locking Device
 - Extension
 - Square Nut Drive



ND	A	B	C	D	E	F	ØG	H
50	41	119	125	105	132	61	225	359
65	41	134	125	115	149	61	225	386
80	51	149	125	124	165	61	225	411
100	51	169	125	140	190	61	225	452
125	56	180	125	150	214	61	225	486
150	60	210	125	175	240	61	225	537
200	60	262	142	205	305	71	310	642
250	69	318	142	250	360	71	310	742
300	78	372	142	300	410	71	310	842
350	78	431	197	338	487	110	410	975
400	89	486	197	392	537	110	410	1079
450	89	540	201	432	589	111	550	1172
500	114	602	201	485	649	111	550	1285
600	114	708	201	590	748	111	550	1489
700	118	834	380	686	890	150	800	1726
750	118	884	380	760	945	150	800	1855
800	118	1015	320	791	989	150	800	1934

HANDWHEEL (rising stem)

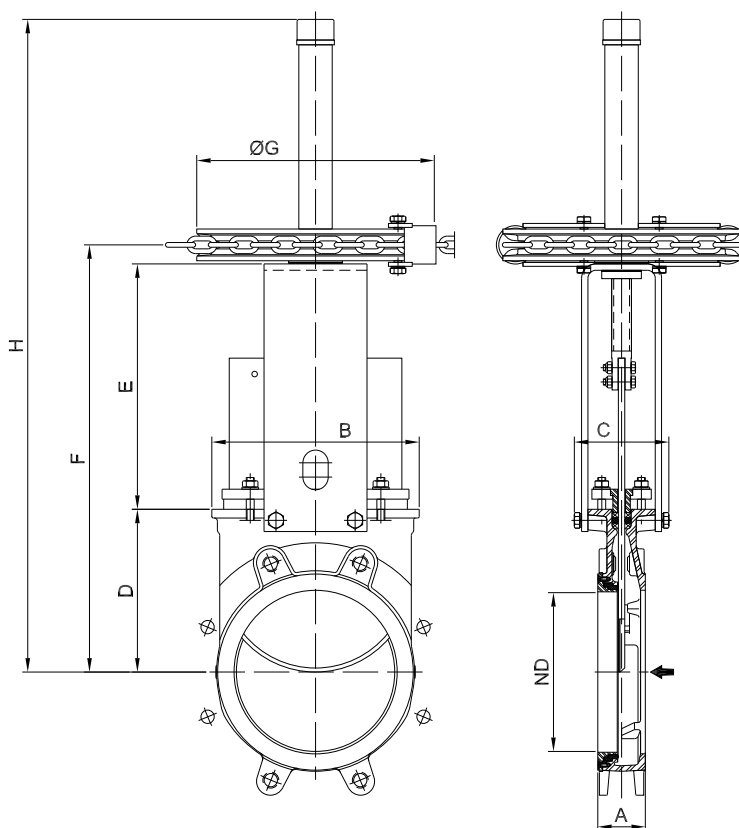
- Consists on:
 - Handwheel: Epoxy coated Cast Iron
 - Stem
 - Stem nut
 - Stem protector
- Available from ND 50 to ND 800
- Options:
 - Locking Device
 - Extensions



ND	A	B	C	D	E	F	ØG	H	Weight (kg.)
50	41	119	100	105	129	47	225	420	7
65	41	134	100	115	146	47	225	450	8
80	51	149	100	124	162	47	225	475	9
100	51	169	100	140	187	47	225	520	11
125	56	180	100	150	211	47	225	600	15
150	60	210	100	175	237	47	225	652	18
200	60	262	122	205	309	67	310	822	30
250	69	318	122	250	364	67	310	1022	44
300	78	372	122	300	414	67	310	1122	58
350	78	431	197	338	486	66	410	1323	96
400	89	486	197	392	536	66	410	1427	124
450	89	540	201	432	588	66	550	1594	168
500	114	602	201	485	648	66	550	1707	192
600	114	708	201	590	748	66	550	2022	245
700	118	834	380	686	890	74	800	2575	405
750	118	884	380	760	945	74	800	2704	455
800	118	1015	320	791	989	74	800	3479	512

CHAINWHEEL

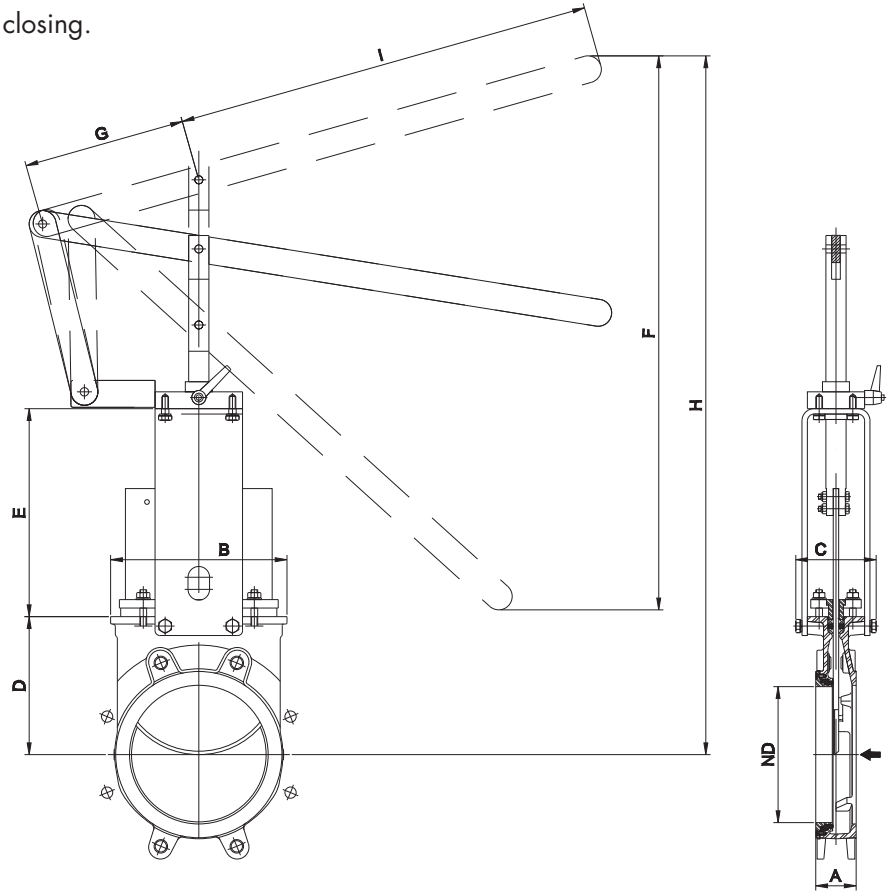
- Recommended for elevated installations.
- Consists on:
 - Chainwheel: Epoxy coated Cast Iron
 - Stem
 - Stem nut
 - Stem protector
- Available from ND 50 to ND 600
- Options (on request):
 - Locking Device
 - Extension
 - Non-rising Stem



ND	A	B	C	D	E	F	ØG	H
50	41	119	100	105	129	253	225	424
65	41	134	100	115	146	280	225	451
80	51	149	100	124	162	305	225	476
100	51	169	100	140	187	347	225	518
125	56	180	100	150	211	380	225	601
150	60	210	100	175	237	431	225	652
200	60	262	122	205	309	538	300	822
250	69	318	122	250	364	638	300	1022
300	78	372	122	300	414	738	300	1122
350	78	431	197	338	486	856	454	1323
400	89	486	197	392	536	960	454	1427
450	89	540	201	432	588	1052	454	1589
500	114	602	201	485	648	1165	454	1707
600	114	708	201	590	748	1370	454	2022

LEVER

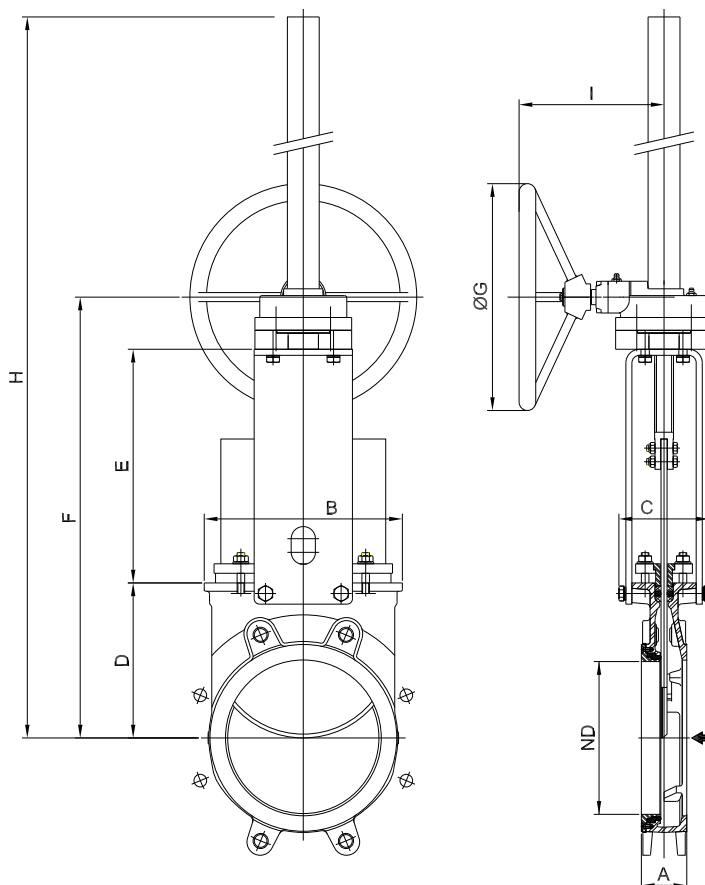
- Recommended for quick opening and closing.
- Consists on:
 - Lever
 - Stem
 - Yoke sleeve
 - Lever lock
- Available from ND 50 to ND 300



ND	A	B	C	D	E	F	G	H	I
50	41	119	100	105	129	256	150	408	315
65	41	134	100	115	146	259	150	435	315
80	51	149	100	124	162	307	150	509	315
100	51	169	100	140	187	439	150	637	415
125	56	180	100	150	211	529	150	755	415
150	60	210	100	175	237	620	150	895	415
200	60	262	122	205	309	822	235	1038	620
250	69	318	122	250	364	995	235	1307	620
300	78	372	122	300	414	1166	235	1578	620

GEAR

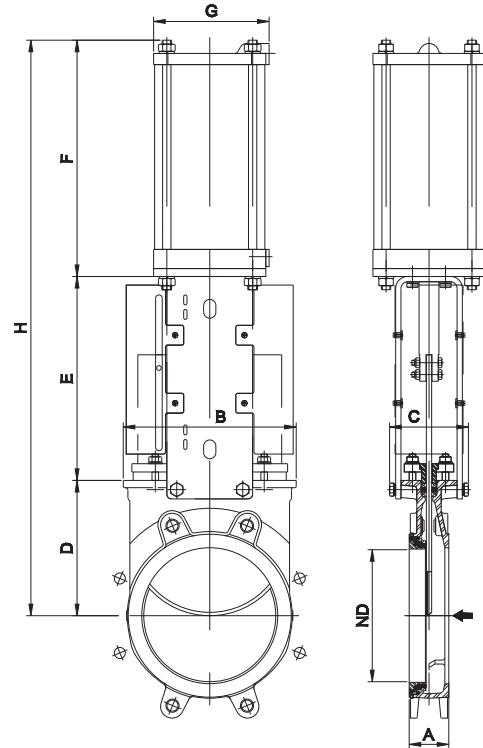
- Recommended for valves larger than ND 350 and working pressures greater than 3.5 kg/cm²
- Consists on:
 - Stem
 - Yoke
 - Bevel Gear Actuator with Handwheel (Standard Ratio 4:1)
- Available from ND 200 to ND 800
- Options:
 - Locking device
 - Extension
 - Chainwheel
 - Non-rising stem



ND	A	B	C	D	E	F	ØG	H	I
200	60	262	122	205	309	583	300	1283	192
250	69	318	122	250	364	683	300	1383	192
300	78	372	122	300	414	783	300	1483	192
350	78	431	197	338	500	885	450	1585	249
400	89	486	197	392	550	989	450	1639	249
450	89	540	201	432	598	1077	450	1777	249
500	114	602	201	485	658	1190	450	1890	249
600	114	708	201	590	758	1395	450	2095	249
700	118	834	290	686	900	1633	450	2333	249
750	118	884	290	760	945	1752	450	2452	249
800	118	1015	320	791	968	1886	650	3029	249

PNEUMATIC CYLINDER

- The standard pneumatic actuator (double acting on-off cylinder) consists on:
 - Aluminium jacket and covers
 - Stainless steel (AISI 304) piston rod
 - Nitrile coated steel piston
- Available from ND 50 to ND 800
- Supply Pressure: minimum 3.5 kg/cm² - maximum 10 kg/cm²
- For valves installed in a horizontal position, we recommend U-type support plates and/or actuator support.
- Options:
 - Gate guards for proximity switches (see pag. 3)
 - Hard anodized jacket and covers
 - Over / Undersized cylinder
 - Stainless steel jacket and covers
 - Manual override
 - Fail safe system (Page EK-12)
 - Travel stops
- Instrumentation (on request):
 - Positioners
 - Solenoid valves
 - Flow regulators
 - Air preparation units

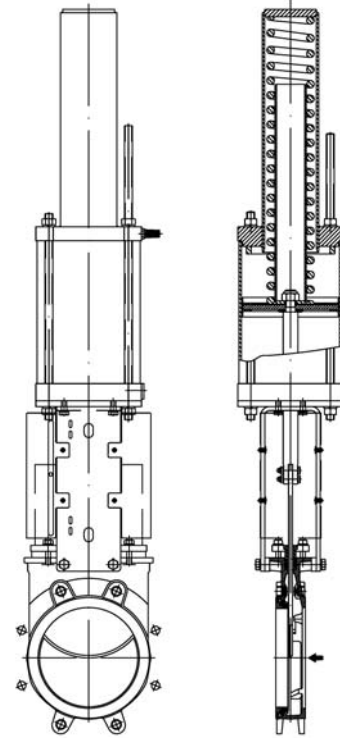


ND	A	B	C	D	E	F	G	H	Weight (kg.)	Standard Cyl	Connect.
50	41	119	100	105	129	178	115	412	9	C100/62	1/4" G
65	41	134	100	115	146	193	115	454	10	C100/77	1/4" G
80	51	149	100	124	162	211	115	497	11	C100/95	1/4" G
100	51	169	100	140	187	231	115	558	14	C100/115	1/4" G
125	56	180	100	150	211	271	140	632	20	C125/143	1/4" G
150	60	210	100	175	237	296	140	708	25	C125/168	1/4" G
200	60	262	122	205	309	358	175	872	44	C160/220	1/4" G
250	69	318	122	250	364	428	220	1042	67	C200/270	3/8" G
300	78	372	122	300	414	478	220	1192	82	C200/320	3/8" G
350	78	431	197	338	500	549	277	1387	135	C250/375	3/8" G
400	89	486	197	392	550	599	277	1541	165	C250/425	3/8" G
450	89	540	270	432	598	680	382	1710	220	C300/475	1/2" G
500	114	602	270	485	658	730	382	1873	280	C300/525	1/2" G
600	114	708	270	590	758	830	382	2178	330	C300/625	1/2" G
700	118	834	380	686	900	960	444	2546	520	C350/730	3/4" G
750	118	884	380	760	945	1020	444	2725	585	C350/780	3/4" G
800	118	1015	320	791	968	1095	444	2854	650	C350/830	3/4" G

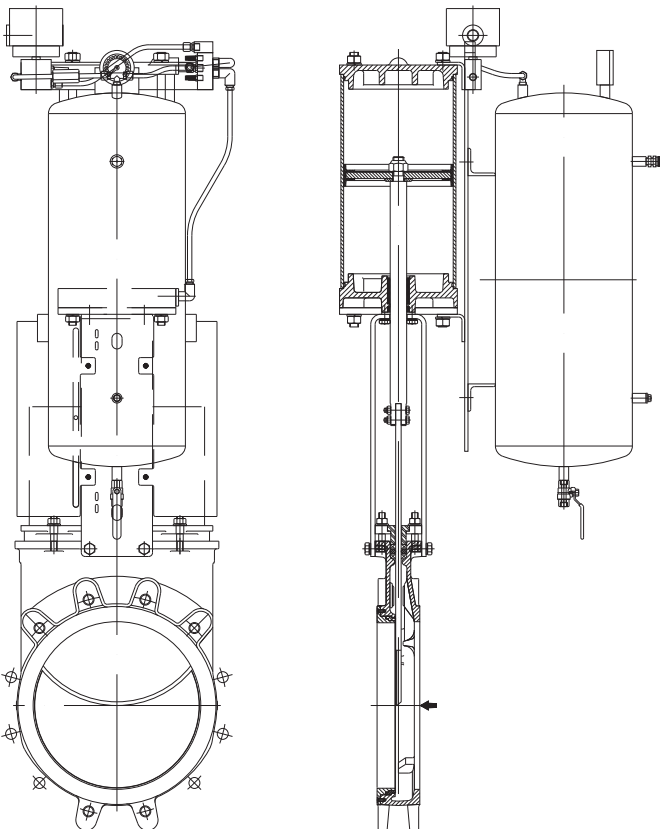
FAIL SAFE SYSTEM

SINGLE ACTING / SPRING RETURN

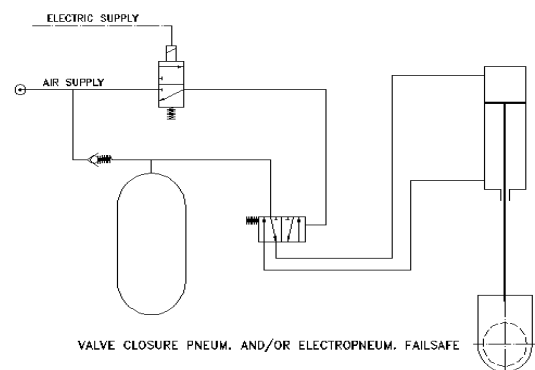
- This actuator (single acting cylinder) consists on:
 - Aluminium jacket and covers
 - Ductile Iron or carbon steel spring cap
 - Steel spring
 - Stainless Steel (AISI 304) piston rod
 - Nitrile coated steel piston
- Available from ND 50 to ND 200
- Supply pressure: minimum 5 kg/cm² - maximum 10 kg/cm²
- Options:
 - Fail open
 - Fail close



SINGLE ACTING / VOLUME TANK

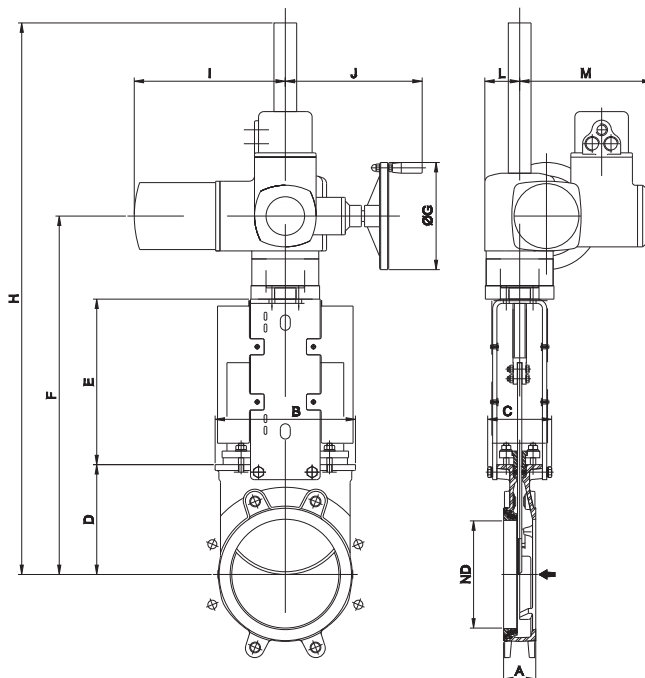


- For size ND 250 and bigger safety system consists on: double acting pneumatic cylinder, volume tank and all the necessary elements according to the available options (solenoid valve, spool valve,...)
- Available for all diameters
- Supply Pressure: Minimum 3.5kg/cm²
Maximum 10 kg/cm²
- Options:
 - 1- Pneumatic Failsafe
 - 2- Pneumatic or Electric Failsafe
- Option 2:



ELECTRIC ACTUATOR



- Consists on:
 - Electric actuator
 - Rising stem
 - Motor support yoke flange
(Acc. to ISO 5210 / DIN 3338)
- The standard electric motor is equipped with:
 - Manual emergency operation
 - Limit switches (open/closed)
 - Torque switches
- Available from ND 50 to ND 800
- Wide range of types and marks available to meet customer's needs.
- Option:
 - Non rising stem

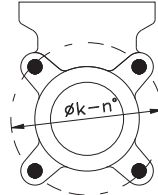


ND	A	B	C	D	E	F	ØG	H	I	J	L	M	stem Ø x pitch	Torque(Nm)
50	41	119	100	105	129	377	160	547	265	249	62	237	20 x 4	20
65	41	134	100	115	146	404	160	574	265	249	62	237	20 x 4	25
80	51	149	100	124	162	429	160	599	265	249	62	237	20 x 4	30
100	51	169	100	140	187	470	160	640	265	249	62	237	20 x 4	40
125	56	180	100	150	211	504	160	674	265	249	62	237	20 x 4	50
150	60	210	100	175	237	555	160	1125	265	249	62	237	20 x 4	60
200	60	262	122	205	309	669	200	1289	282	256	65	247	24 x 5	70
250	69	318	122	250	364	769	200	1349	282	256	65	247	24 x 5	80
300	78	372	122	300	414	869	200	1454	282	256	65	247	24 x 5	90
350	78	431	197	338	500	968	200	1553	282	256	85	247	36 x 6	105
400	89	486	197	392	550	1072	200	1657	282	256	85	247	36 x 6	120
450	89	540	270	432	598	1205	315	1805	385	325	90	285	36 x 6	160
500	114	602	270	485	658	1318	315	1918	385	325	90	285	36 x 6	180
600	114	708	270	590	758	1523	315	2223	385	325	90	285	36 x 6	210
700	118	834	380	686	900	1763	315	2846	385	325	90	285	40 x 7	230
750	118	884	380	760	945	1882	400	2965	385	332	90	285	40 x 7	260
800	118	1015	320	791	980	1948	400	3031	385	332	90	285	50 x 8	290

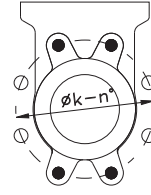
FLANGE AND BOLTING DETAILS

DIN PN10

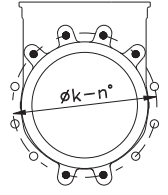
ND	K	n°	M	T	 
50	125	4	M-16	11	4 - -
65	145	4	M-16	11	4 - -
80	160	8	M-16	11	4 - 4
100	180	8	M-16	11	4 - 4
125	210	8	M-16	11	4 - 4
150	240	8	M-20	14	4 - 4
200	295	8	M-20	14	4 - 4
250	350	12	M-20	18	6 - 6
300	400	12	M-20	18	6 - 6
350	460	16	M-20	22	10 - 6
400	515	16	M-24	24	10 - 6
450	565	20	M-24	24	14 - 6
500	620	20	M-24	24	14 - 6
600	725	20	M-27	24	14 - 6
700	840	24	M-27	20	16 - 8
800	950	24	M-30	20	16 - 8



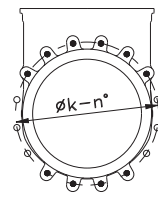
ND 50-65



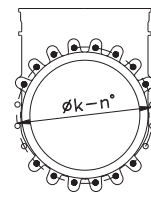
ND 80-200



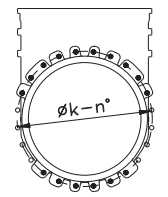
ND 250-300



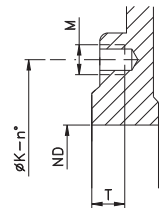
ND 350-400





ND 450-600



ND 700-800



-  BLIND TAPPED HOLES
-  THROUGH HOLES