

MODEL**RM**

TILTING DISC CHECK VALVE

The **RM** model is a reliable metal seated check valve with oblique seating angle widely used in industries such as:

- Pulp and Paper
- Wastewater treatment Plants
- Food and Beverage
- etc.

Main features:

- Suitable for all the standart flanges
- Short Face to Face
- Excellent tightness according to API 598
- Low pressure drop and opening pressure
- Quick closing reaction (oblique seating) which reduces water hammer
- As an option auxiliary spring increases the closing reaction



Sizes: ND 40 to ND 900 (larger diameters on request)

Working pressure: ND 40 to ND 300: 40 kg/cm²
 ND 350 to ND 600: 25 kg/cm²
 ND 700 to ND 900: 10 kg/cm²

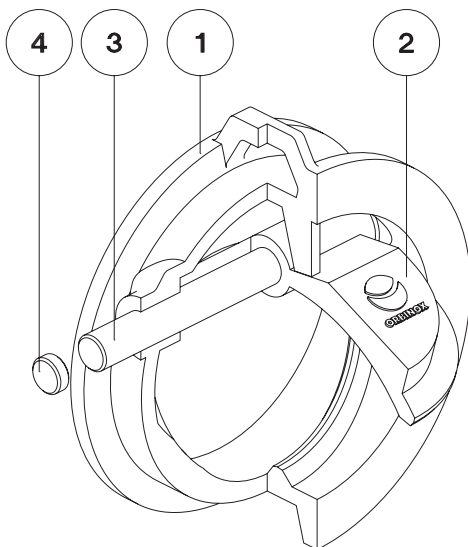
Standard flange connection: EN1092 PN 10/16/25/40
 ANSI B16.5 (class 150)

Other flange connections are available on request. Face to face dimensions are according to EN 558-1 (Serie 16) The RM check valve is according to PED 97/23/CE Directive Categoríe I Module A Fluid Group 2(b).

Under request are also available Categoríe II/III.

DIR 94/9/CE (ATEX) Group II, Cat. 3: zones 2 and 22.

All valves are tested prior to shipping in accordance with the standard developed by the Quality Control Department at ORBINOX.



STANDARD PARTS LIST

Part:	Stainless steel:
1- Body	CF8M
2- Disc	CF8M
3- Shaft	AISI 316
4- Cover	AISI 316



Reserves the right to change specifications without notice

ORBINOX S.A. Pol. Ind. s/n-20270 ANOETA (Spain) Tel.: +34 943 698030 - Fax: +34 943 653066 e-mail:orbinox@orbinox.com

ORBINOX CANADA, ORBINOX USA, ORBINOX COMERCIAL, ORBINOX UK, ORBINOX FRANCE, ORBINOX GERMANY, ORBINOX INDIA, ORBINOX CHINA

www.orbinox.com

OBX 07/07 7th EDITION

RM-1

MODEL

RM

DESIGN FEATURES

BODY:

Wafer style cast **monoblock**.

Cast-in lift eye starting from ND 200 for easier installation.

DISC:

Cast circular, of lightweight designed for maximum strength and low inertia shape.

SHAFT:

Stainless steel heavy stub shafts are positioned to give maximum strength and accurate guiding to the tilting disc.

One-piece design for diameters up to ND 200, two piece for diameters over ND 250.

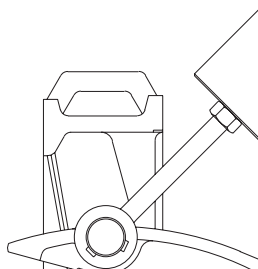
Seal welded covers on the exterior of the valve body.



OTHER OPTIONS

AUXILIARY SPRING

Accelerates the speed of closing.

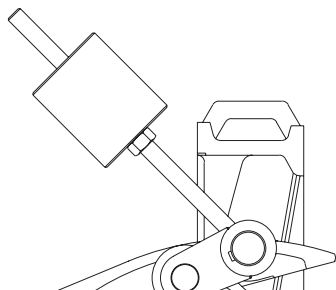


OTHER MATERIALS OF CONSTRUCTION

Special alloys such as AISI 317, 254SMO, Hastelloys, Titanium...

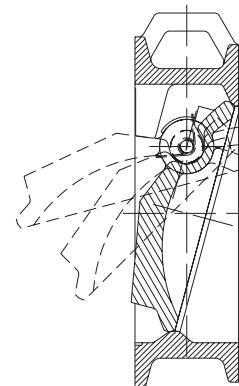
FABRICATED VALVES:

ORBINOX is equipped for in house fabrication of special valves. Depending on the design, diameter, pressures, material of construction,...

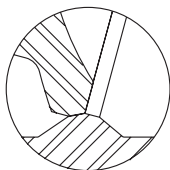


COUNTERWEIGHT WITH OR WITHOUT HYDRAULIC DAMPER

It is normally used in pumping stations to reduce the water hammer effect. Application of these systems requires previous study of the installation characteristics. In these cases contact technical department is recommended.



SEAT TYPE



METAL / METAL (standard)

The sealing is effected by precision machined seats in the body and the disc edge.

MODEL**RM**
ORBINOX
 VALVE SOLUTIONS IN MORE THAN 70 COUNTRIES

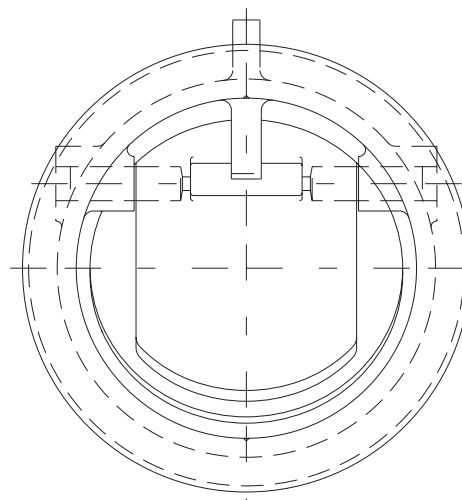
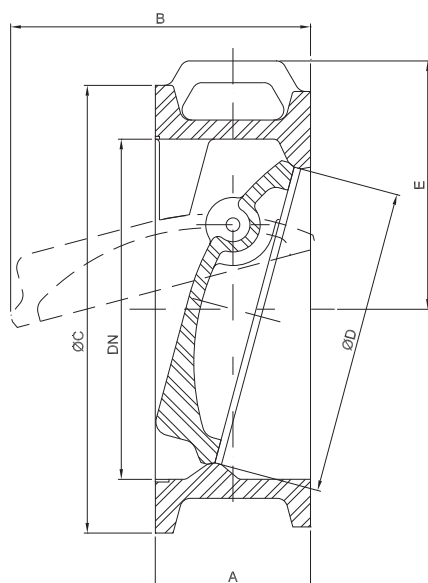
- The **RM** check valve consists of:

- Body
- Disc
- Shaft
- Covers

- Sizes: ND 40 to ND 900

- Options (on request):

- Auxiliary spring
- Counterweight, with or without dashpot.



ND	A	B	Ø (PN10/16/25/40-ANSI150)	ØD	E	Weight (kg.)
40	33	45	84	34	-	0,8
50	43	54	102,5	44	-	1
65	46	64	121,5	58	-	2
80	64	85	134,5	72	-	3
100	64	98	162	90	-	4,5
125	70	116,5	192	112	-	6,5
150	76	136	219	135	-	7,5
200	89	222,5	273	180	155	15
250	114	221	329	225	182,5	26,5
300	114	251	378	270	210	33,5
350	127	294	438	315	240	54
400	140	340	489	365	275	65,5
450	152	370	540	410	300	92
500	152	405	594	460	325	110
600	178	497	696	555	390	178
700	229	616	800	650	460	245
750	229	613	880	650	485	310
800	241	675	917	745	515	385
900	241	750	1012	835	562	445

Reserves the right to change specifications without notice

OBX 07/07 | 7th EDITION
ORBINOX S.A. Pol. Ind. s/n-20270 ANOETA (Spain) Tel.: +34 943 698030 - Fax: +34 943 653066 e-mail:orbinox@orbinox.com

RM-3
ORBINOX CANADA, ORBINOX USA, ORBINOX COMERCIAL, ORBINOX UK, ORBINOX FRANCE, ORBINOX GERMANY, ORBINOX INDIA, ORBINOX CHINA
www.orbinox.com